

Form No.
906694
Replaces
904867

G Series 8

Running Gear



SERVICE PARTS MANUAL

GEHL® AGRICULTURE

Introduction

When ordering service parts, specify the correct part number, full description, quantity required, the unit model number and serial number.

The Running Gear model and serial numbers are on a plate located on the forward-facing side of the left Rear diagonal Brace on the Frame assembly. "Right" and "left" are determined from a position standing behind the Wagon with the Drawbar and Tongue in front.

GEHL® Company reserves the right to make changes or improvements in the design or construction of any part of the unit without incurring the obligation to install such changes on any previously delivered units.

NOTE: *On original tire replacement, company policy prohibits the sale of replacement tires for all GEHL machinery. Replacement Wheel Sets are available and tire size information is called out with the Wheel Sets to facilitate replacement tire selection. ALL REPLACEMENT TIRES MUST BE PURCHASED LOCALLY.*

Refer to the abbreviations table located on this page for the various fastener descriptions. Standard attaching hardware torque values are also provided on the inside back cover.

In the exploded view parts list, Reference Numbers may have additional information following the Reference Number. A number in parentheses such as (4), will indicate a quantity of how many times that Reference Number is used in that location. A Tear Drop symbol will indicate an application of a "wet" product such as oil, and the number inside the Tear Drop will correspond to the description in the Parts List. Also, a number inside of a hexagon will be the torque value required, in foot pounds, on the associated Reference Number. Items shown in the parts list that do not have Reference Numbers are shown for reference purposes only and are NOT available for purchase.

Unless otherwise specified, all Cap Screws or Bolts are Grade 5, cadmium or zinc plated; Hexagon Nuts for Grade 5 Screws or Bolts are Grade B; Hexagon Nuts for other Screws or Bolts are Grade A.

NOTE: *The following abbreviations may used herein:*

ASSD	– Assembled
ASSY	– Assembly
CB	– Carriage Bolt
CCW	– Counterclockwise
CP	– Cotter Pin
CS	– Cap Screw (Hexagon Head)
CTR	– Center
CW	– Clockwise
DEG	– Degree
DIA	– Diameter
FCS	– Flanged Cap Screw
FHMS	– Flat Head Machine Screw
FL	– Flanged
FLN	– Flanged Lock Nut (Hexagon)
FLS	– Flanged Lock Screw (Hexagon)
FW	– Flat Washer
GA	– Gauge
GR	– Grade
HD	– Hard or Head
HN	– Hex Nut
INCL	– Includes
JT	– Joint
LG	– Large
LH	– Left Hand
LW	– Lock Washer
LN	– Lock Nut
LW	– Lock Washer
M	– Metric
MM/mm	– Millimeter
NF	– National Fine
PB	– Plow Bolt
PTO	– Power Take Off
RH	– Right Hand
RPM	– Revolutions Per Minute
RT	– Right
SERR	– Serrated
SHCS	– Socket Head Cap Screw
SN	– Serial Number or Slotted Nut
SQ	– Square
T	– Tooth or Teeth
TFS	– Thread Forming Screw
THMS	– Truss Head Machine Screw
THRD	– Thread
WLDMT	– Weldment
#	– Number
()	– (Quantity Used Here)
	– Torque Required in foot pounds
	– Indicates a Fluid Application

TABLE OF CONTENTS

Introduction	Inside Front Cover
Table of Contents	1
Decal Locations	2-5
G1008	4-5
G1208	6-7
G1268	8-9
Numerical Index	12
Standard Hardware Torque Data	Inside Back Cover
Attaching Hardware Table	Inside Back Cover

DECAL LOCATIONS

GENERAL INFORMATION

Decal Locations information is provided to assist in the proper selection and application of new decals, in the event the original decal(s) become(s) damaged or the machine is repainted. Refer to the listing for the illustration reference number, part number, description and quantity of each decal provided in the Kit. Refer to the appropriate illustration(s) for replacement location(s).

NOTE: Refer to the *SAFETY Chapter of the Operator's Manual for the specific information provided on all of the various Safety Decals furnished in the Decal Kit(s).*

To insure proper selection for correct replacement decal(s), compare all of the various close-up location photographs to your machine **BEFORE** starting to refinish the unit. Then, circle each pictured decal (applicable to your machine) while checking-off its part number in the listing. After you have verified all the decals needed for replacement, set aside unneeded decals for disposal.

NEW DECAL APPLICATION

Surfaces **MUST** be free from dirt, dust, grease and other foreign material before applying the new decal. To apply a solid-formed decal, remove the smaller portion of the decal backing paper and apply this part of the exposed adhesive backing to the clean surface while maintaining proper position and alignment. Slowly peel off the other portion of the backing paper while applying hand pressure to smooth-out the decal surface.



CAUTION

ALWAYS observe Safety Rules shown on Decals. If Decals become damaged, or if the unit is repainted, replace the Decals. If repainting, **BE SURE** that **ALL** Decals from the Kit(s) which apply to your machine, are affixed to your unit.

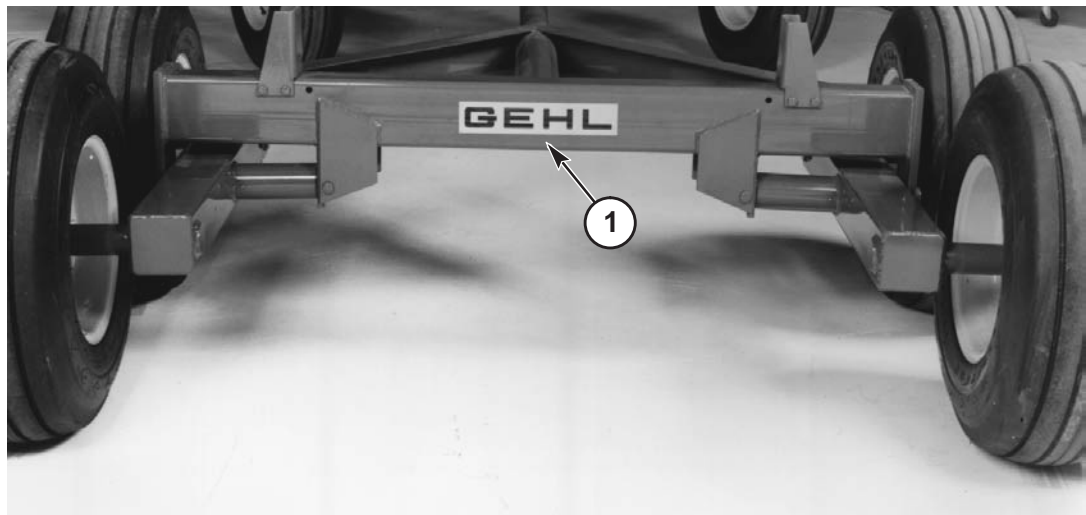
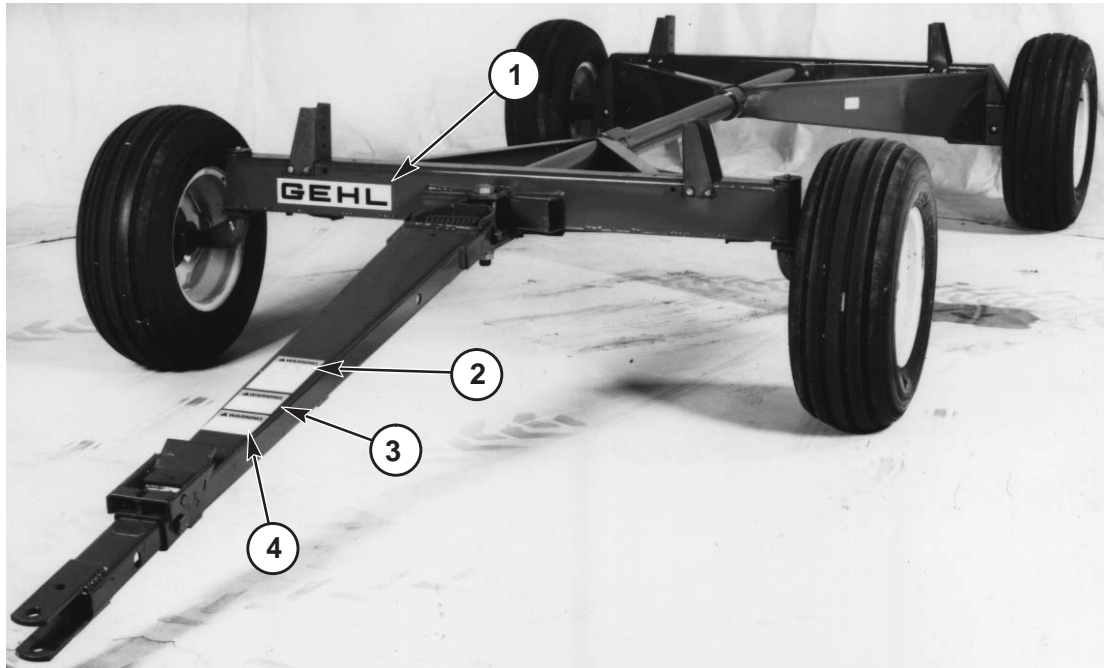
PAINT NOTICE

Use this list to order paint for refinishing:

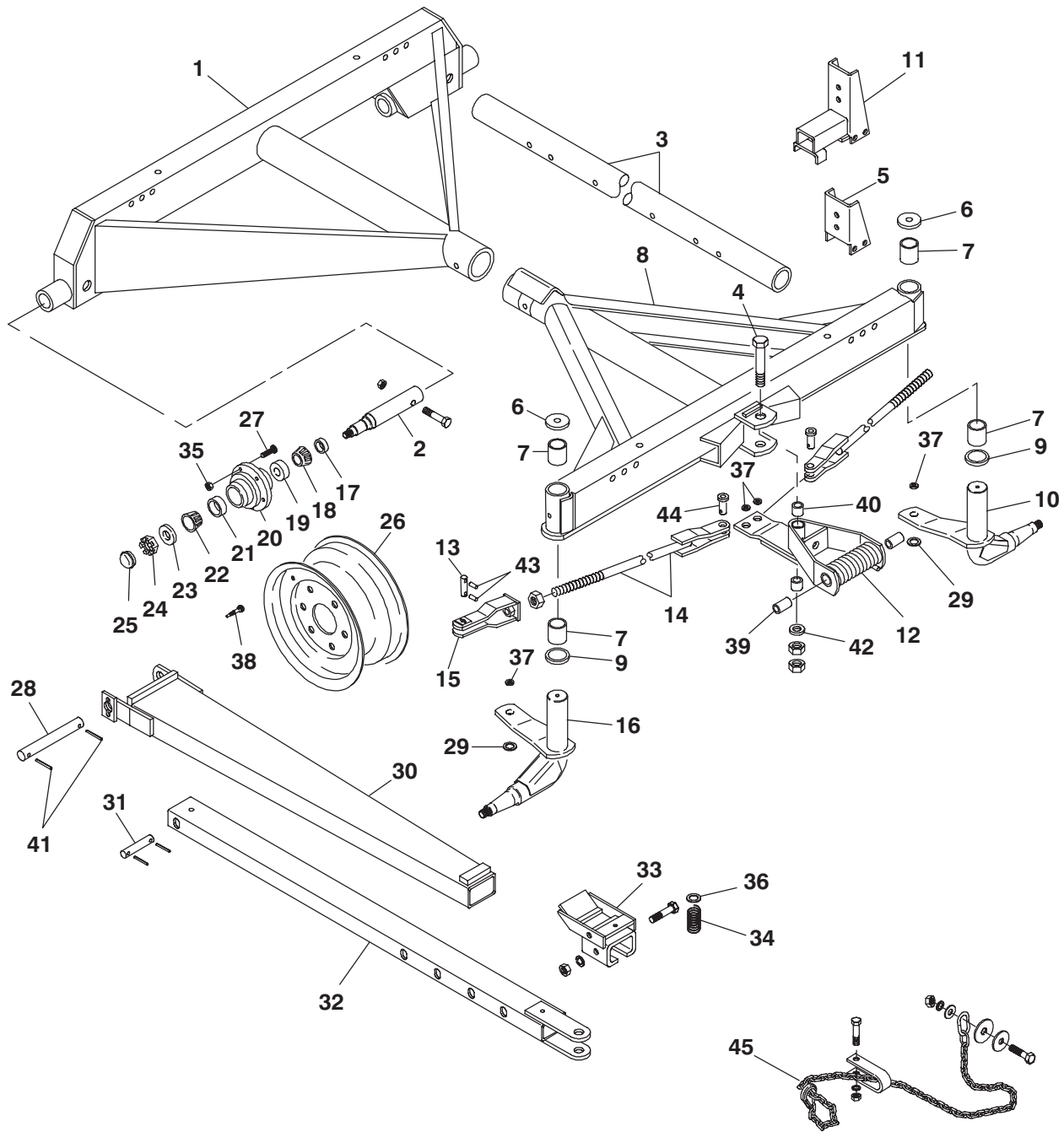
901225	One Gallon Blaze Paint
901226	One Gallon Maize Paint
906315	One Gal. AG Red
902872	One Qt. Light Grey
610239	6 (12oz Spray Cans) Blaze Paint
610240	6 (12oz Spray Cans) Maize Paint
906316	6 (12 oz. Spray Cans) AG Red
902874	6 (12 oz. Spray Cans) Light Grey

The Decal Set number for the G Series 8 Running Gear is 117848. The Set includes the following Decals:

Ref. No.	Part Number	Description & Quantity
1.	061201	GEHL (2 Places)
2.	093367	WARNING – Manual
3.	093443	WARNING – Towing
4.	093444	WARNING – Latching Tongue



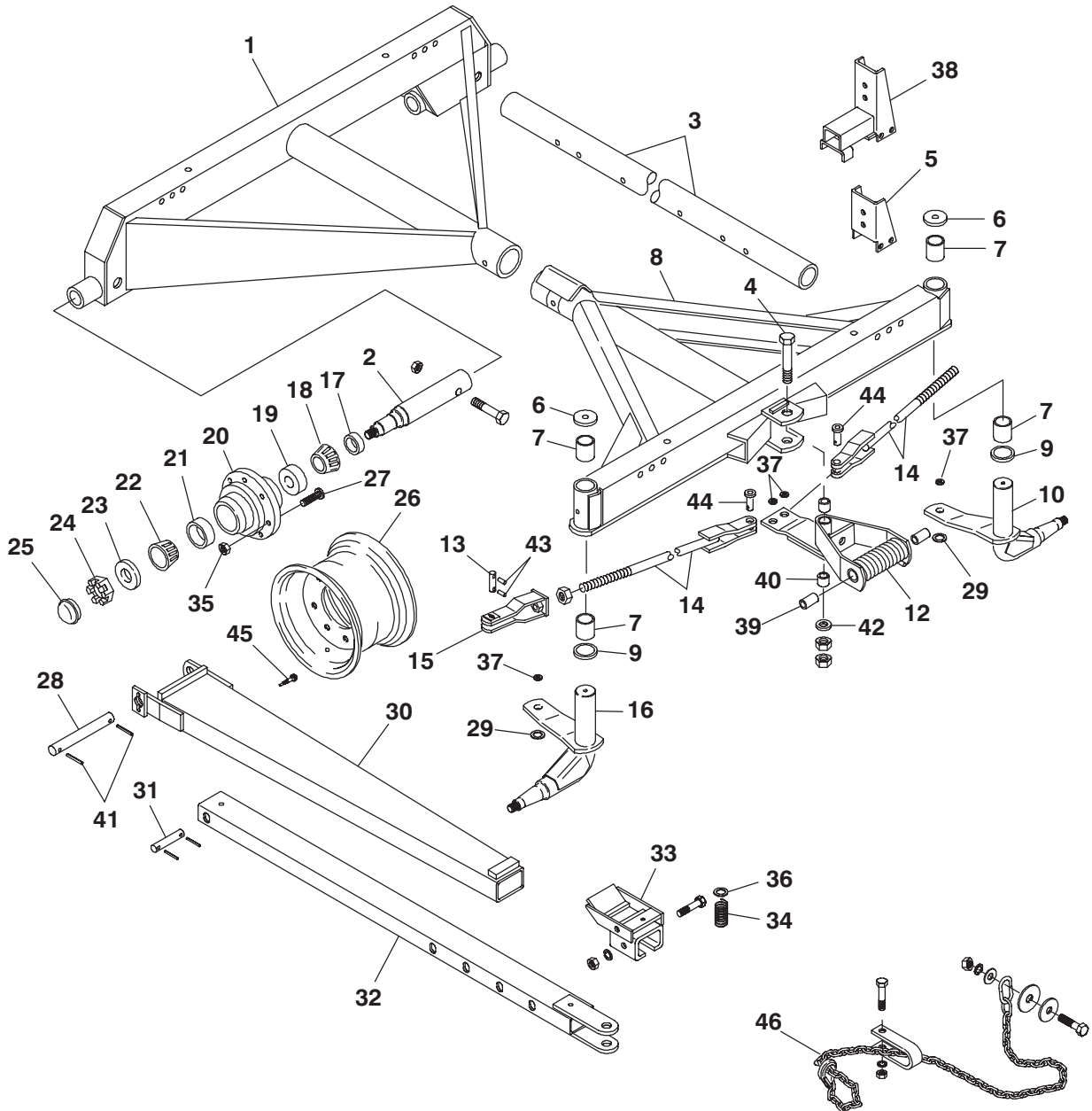
G1008 – RUNNING GEAR



G1008 – RUNNING GEAR

Ref. No.	Part No.	Description	Qty. Req.	Ref. No.	Part No.	Description	Qty. Req.
01	093390	AXLE/ASSY REAR	1	20	091870	HUB/WHEEL ASSY	4
	650566	CS 5/8X5-1/2 (NILN)	1			(INCL 19, 21, 27, 35)	
02	093336	SPINDLE/REAR	2	21	520054	CUP/BEARING	4
	650454	CS 1/2X3-3/4 (NILN)	2	22	520201	CONE/BEARING	4
03	093171	REACH	1	23	066717	WASHER/SPINDLE	4
04	651251	CS 1-1/4X7	2	24	653102	NUT/SLOTTED 7/8	4
	651252	NUT/JAM 1-1/4	1		655024	PIN/COTTER 3/16X2	4
05	091762	STAKE	4	25	076586	CAP/GREASE	4
	650497	CS 1/2X5-1/2 (NILN)	8	26	045989	WHEEL/15X66-BOLT	4
06	078633	WASHER	2		048060	WHEEL/15X86-BOLT	4
		(AFTER SN30400)				(FOR 10.00X15 & 11LX158-PLY	
	091751	WASHER/SPINDLE	2			RATING IMPLEMENT TIRES)	
		(BEFORE SN30401)			042165	WHEEL/15X106-BOLT	4
07	094455	BUSHING/BRONZE	4			(FOR 12.5LX15 12-PLY	
		(AFTER SN30400)				RATING IMPLEMENT TIRES)	
	045-17739	BUSHING/BRONZE	4		081089	WHEEL/16.5X9.756-BOLT	4
		(BEFORE SN30401)				(FOR 12LX16.5 6-PLY RATING	
08	093364	AXLE/ASSY FRONT (INCL 7)	1			LIGHT TRUCK TIRES)	
	650566	CS 5/8X5-1/2 (NILN)	1	27	046000	BOLT/WHEEL	24
	076002	FITTING/GREASE	2	28	091761	PIN/DRAWBAR PIVOT	1
09	057758	WASHER/HARDENED	2	29	062515	WASHER/LIFT	2
10	094404	SPINDLE/LT FRONT ASSY (INCL 37)	1			(AFTER SN30400)	
	570019	FITTING/GREASE	1	30	091785	DRAWBAR/ASSY OUTER	1
	650488	CS 3/8X3/4 (L)	1	31	009011	STOP, PIN	1
		(AFTER SN30400)			655020	PIN/COTTER 3/16X1-1/2	2
	093347	SPINDLE/ASSY LEFT	1	32	089810	POLE/ASSY INNER	1
	650488	CS 3/8X3/4 (L)	1	33	009014	LATCH, WELD	1
		(BEFORE SN30401)			651036	CS 7/8X5-1/2 (N,L)	1
11	091789	STAKE/RISER ASSY	4	34	008998	SPRING/COMPRESSION	1
		(OPTIONAL)		35	046001	NUT/WHEEL	24
12	093288	HITCH/ASSY (INCL 37, 39, 40)	1	36	000733	WASHER	1
	570019	FITTING/GREASE	3	37	000240	BU, STL 1.00X.75X.50	4
13	091770	PIN/CLEVIS STEERING	2			(AFTER SN30400)	
14	001648	ROD/TIE ASSY	2		071153	BUSHING/BRONZE	2
	650651	NUT 7/8	2			(BEFORE SN30401)	
15	093179	YOKE/ASSY	2				
16	094403	SPINDLE/RT FRONT ASSY (INCL 37)	1	38	045581	VALVE/TIRE	4
	570019	FITTING/GREASE	1	39	073242	BUSHING/BRONZE	2
	650488	CS 3/8X3/4 (L)	1	40	050872	BUSHING/BRONZE	2
		(AFTER SN30400)		41	062756	PIN/SPRING	2
	093346	SPINDLE ASSY/FRONT RIGHT	1	42	093296	SPACER	1
	650488	CS 3/8X3/4 (L)	1	43	040775	PIN/SPRING	4
		(BEFORE SN30401)		44	001654	PIN/CLEVIS ASSY	2
17	079716	SEAL/GREASE	4		655020	PIN/COTTER 3/16X1-1/2	2
18	042163	CONE/WHEEL BEARING	4	45	803098	CHAIN/SAFETY TOW 10 TON	1
19	042162	CUP/WHEEL BEARING	4			(OPTIONAL)	

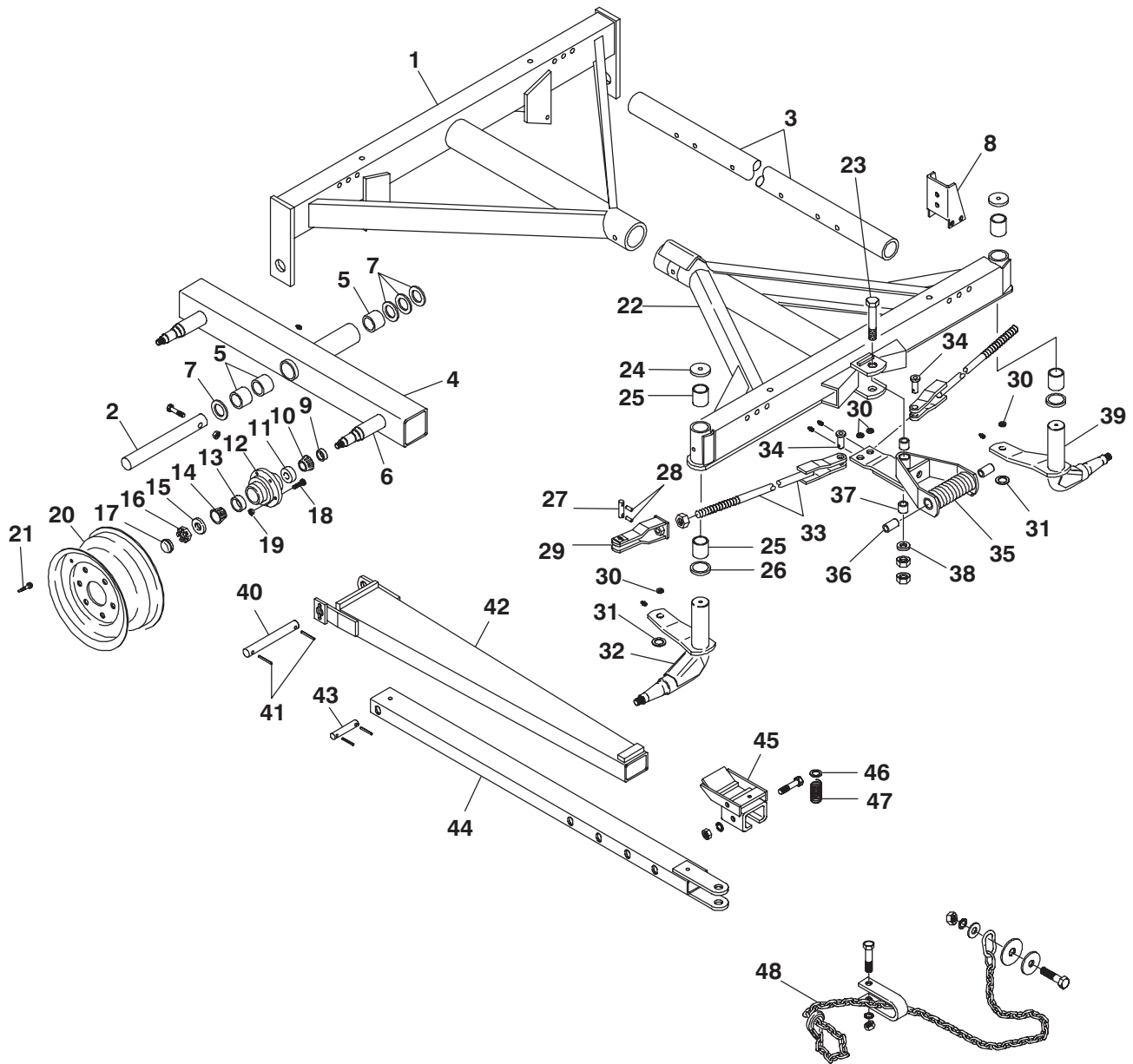
G1208 – RUNNING GEAR



G1208 – RUNNING GEAR

Ref. No.	Part No.	Description	Qty. Req.	Ref. No.	Part No.	Description	Qty. Req.
01	093589	AXLE/ASSY REAR	1	18	520214	CONE/BEARING	4
	650566	CS 5/8X5-1/2 (NILN)	1	19	520213	CUP/BEARING	4
02	091782	SPINDLE/REAR	2	20	083100	HUB (INCL 19,21,27,35)	4
	650454	CS 1/2X3-3/4 (NILN)	2	21	520054	CUP/BEARING	4
03	093171	REACH	1	22	520201	CONE/BEARING	4
04	651251	CS 1-1/4X7	1	23	066717	WASHER/SPINDLE	4
	651252	NUT/JAM 1-1/4	2	24	653102	NUT/SLOTTED 7/8	4
05	091762	STAKE	4		655024	PIN/COTTER 3/16X2	4
	650497	CS 1/2X5-1/2 (NILN)	8	25	058421	CAP/GREASE	4
06	078633	WASHER (AFTER SN11850)	2	26	079718	WHEEL W11CX16.1 DC 8-BOLT (FOR 16.5LX16.1 10-PLY RATING IMPLEMENT TIRES)	4
	091751	WASHER/SPINDLE (BEFORE SN11851)	2	27	078657	BOLT/WHEEL	32
07	094471	BUSHING/BRONZE (AFTER SN11850)	4	28	091761	PIN/DRAWBAR PIVOT	1
	040179	BUSHING/BRONZE (BEFORE SN11851)	4	29	062515	WASHER/LIFT (AFTER SN11850)	2
08	093590	AXLE/ASSY FRONT (INCL 7)	1	30	091785	DRAWBAR/ASSY OUTER	1
	650566	CS 5/8X5-1/2 (NILN)	1	31	009011	STOP, PIN	1
	076002	FITTING/GREASE	2		655020	PIN/COTTER 3/16X1-1/2	2
09	043756	WASHER	2	32	089810	POLE/ASSY INNER	1
10	094430	SPINDLE/LT FRT ASSY (INCL 37)	1	33	009014	LATCH, WELD	1
	650488	CS 3/8X3/4 (L)	1		651036	CS 7/8X5-1/2 (N,L)	1
	570019	FITTING/GREASE (AFTER SN11850)	1	34	008998	SPRING/COMPRESSION	1
	093282	SPINDLE/ASSY LEFT (INCL 37)	1	35	079152	NUT/WHEEL	32
	650488	CS 3/8X3/4 (L) (BEFORE SN11851)	1	36	000733	WASHER	1
12	093288	HITCH/ASSY (INCL 37, 39, 40)	1	37	000240	BU, STL 1.00X.75X.50 (AFTER SN11850)	4
	570019	FITTING/GREASE	3		071153	BUSHING/BRONZE (BEFORE SN11851)	2
13	091770	PIN/CLEVIS STEERING	2	38	091789	STAKE/RISER ASSY (OPTIONAL)	4
14	001648	ROD/TIE ASSY	2	39	073242	BUSHING/BRONZE	2
	650651	NUT 7/8	2	40	050872	BUSHING/BRONZE	2
15	093179	YOKE/ASSY	2	41	062756	PIN/SPRING	2
16	094429	SPINDLE/RT FRT ASSY (INCL 37)	1	42	093296	SPACER	1
	650488	CS 3/8X3/4 (L)	1	43	040775	PIN/SPRING	4
	570019	FITTING/GREASE (AFTER SN11850)	1	44	001654	PIN/CLEVIS ASSY	2
	093281	SPINDLE/ASSY RIGHT (INCL 37)	1		655020	PIN/COTTER 3/16X1-1/2	2
	650488	CS 3/8X3/4 (L) (BEFORE SN11851)	1	45	045581	VALVE/TIRE	4
17	604328	GREASE SEAL	4	46	803099	CHAIN/SAFETY TOW 15 TON (OPTIONAL)	1

G1268 – RUNNING GEAR



G1268 – RUNNING GEAR

Ref. No.	Part No.	Description	Qty. Req.	Ref. No.	Part No.	Description	Qty. Req.
01	094165	AXLE/REAR ASSY	1	24	078633	WASHER	2
	650499	CS 5/8X5-1/2 (NILN)	1	25	094455	BUSHING/BRONZE	4
02	094181	PIN/PIVOT	2	26	057758	WASHER/HARDENED	2
	650846	CS 5/8X6 (NILN)	2	27	091770	PIN/CLEVIS STEERING	2
03	094200	REACH	1	28	040775	PIN/SPRING	4
04	094203	AXLE/TANDEM ASSD (INCL 5)	2	29	093179	YOKE/ASSY	2
	570019	FITTING/GREASE	2	30	000240	BU, STL 1.00X.75X.50	4
05	094180	BUSHING/BRONZE	6	31	062515	WASHER/LIFT	2
06	094179	SPINDLE (WELDED ON)	4	32	094403	SPINDLE/RT FRONT ASSY (INCL 30)	1
07	094182	WASHER	AR		570019	FITTING/GREASE	1
08	091762	STAKE	4		650488	CS 3/8X3/4 (L)	1
	650497	CS 1/2X5-1/2 (NILN)	8	33	001648	ROD/TIE ASSY	2
09	079716	SEAL/GREASE	6		650651	NUT 7/8	2
10	042163	CONE/WHEEL BEARING	6	34	001654	PIN/CLEVIS ASSY	2
11	042162	CUP/WHEEL BEARING	6		655020	PIN/COTTER 3/16X1-1/2	2
12	091870	HUB/WHEEL ASSY (INCL 11,13,18,19)	6	35	093288	HITCH/ASSY (INCL 30, 36, 37)	1
13	520054	CUP/BEARING	6		570019	FITTING/GREASE	3
14	520201	CONE/BEARING	6	36	073242	BUSHING/BRONZE	2
15	066717	WASHER/SPINDLE	6	37	050872	BUSHING/BRONZE	2
16	653102	NUT/SLOTTED 7/8	6	38	093296	SPACER	1
	655024	PIN/COTTER 3/16X2	6	39	094404	SPINDLE/LT FRONT ASSY (INCL 30)	1
17	076586	CAP/GREASE	6		570019	FITTING/GREASE	1
18	046000	BOLT/WHEEL	36		650488	CS 3/8X3/4 (L)	1
19	046001	NUT/WHEEL	36	40	091761	PIN/DRAWBAR PIVOT	1
20	048060	WHEEL/15X86-BOLT (FOR 10.00X15 & 11LX158-PLY RATING IMPLEMENT TIRES)	6	41	062756	PIN/SPRING	2
	042165	WHEEL/15X106-BOLT (FOR 12.5LX15 8-PLY & 12.5LX15 12-PLY RATING IMPLEMENT TIRES)	6	42	091785	DRAWBAR/ASSY OUTER	1
21	045581	VALVE/TIRE	6	43	009011	STOP, PIN	1
22	093364	AXLE/ASSY FRONT (INCL 25)	1		655020	PIN/COTTER 3/16X1-1/2	2
	650566	CS 5/8X5-1/2 (NILN)	1	44	089810	POLE/ASSY INNER	1
	076002	FITTING/GREASE	2	45	009014	LATCH, WELD	1
23	651251	CS 1-1/4X7	1		651036	CS 7/8X5-1/2 (N,L)	1
	651252	NUT/JAM 1-1/4	2	46	008998	SPRING/COMPRESSION	1
				47	000733	WASHER	1
				48	803099	CHAIN/SAFETY TOW 15 TON (OPTIONAL)	1

NOTES

NOTES

RUNNING GEAR - NUMERICAL INDEX

Part No.	Page No.	Ref. No.	Part No.	Page No.	Ref. No.	Part No.	Page No.	Ref. No.	Part No.	Page No.	Ref. No.
000240	05	37	048060	09	20	090000			093590	07	08
000240	07	37	050000			091751	05	06	094165	09	01
000240	09	30	050872	05	40	091751	07	06	094179	09	06
000733	05	36	050872	07	40	091761	05	28	094180	09	05
000733	07	36	050872	09	37	091761	07	28	094181	09	02
000733	09	47	057758	05	09	091761	09	40	094182	09	07
001648	05	14	057758	09	26	091762	05	05	094200	09	03
001648	07	14	058421	07	25	091762	07	05	094203	09	04
001648	09	33	060000			091762	09	08	094403	05	16
001654	05	44	062515	05	29	091770	05	13	094403	09	32
001654	07	44	062515	07	29	091770	07	13	094404	05	10
001654	09	34	062515	09	31	091770	09	27	094404	09	39
008998	05	34	062756	05	41	091782	07	02	094429	07	16
008998	07	34	062756	07	41	091785	05	30	094437	05	10
008998	09	46	062756	09	41	091785	07	30	094455	05	07
009011	05	31	066717	05	23	091785	09	42	094455	09	25
009011	07	31	066717	07	23	091789	05	11	094471	07	07
009011	09	43	066717	09	15	091789	07	38	500000		
009014	05	33	070000			091870	05	20	520054	05	21
009014	07	33				091870	09	12	520054	07	21
009014	09	45	071153	05	37	093171	05	03	520054	09	13
040000			071153	07	37	093171	07	03	520201	05	22
040179	07	07	073242	05	39	093179	05	15	520201	07	22
040775	05	43	073242	07	39	093179	07	15	520201	09	14
040775	07	43	073242	09	36	093179	09	29	520213	07	19
040775	09	28	076586	05	25	093281	07	16	520214	07	18
042162	05	19	076586	09	17	093282	07	10	600000		
042162	09	11	078633	05	06	093288	05	12	604328	07	17
042163	05	18	078633	07	06	093288	07	12	651251	05	04
042163	09	10	078633	09	24	093288	09	35	651251	07	04
042165	05	26	078657	07	27	093296	05	42	651251	09	23
042165	09	20	079152	07	35	093296	07	42	653102	05	24
043756	07	09	079716	05	17	093296	09	38	653102	07	24
045581	05	38	079716	09	09	093336	05	02	653102	09	16
045581	07	45	079718	07	26	093346	05	16	800000		
045989	05	26	080000			093347	05	10	803098	05	45
046000	05	27	081089	05	26	093364	05	08	803099	07	46
046000	09	18	083100	07	20	093364	09	22	803099	09	47
046001	05	35	089810	05	32	093390	05	01	045-00000		
046001	09	19	089810	07	32	093589	07	01	045-17739	05	07
048060	05	26	089810	09	44						

TORQUE SPECIFICATIONS

NOTE: Use these torque values when tightening **GEHL** hardware (excluding: Locknuts and Self-tapping, Thread Forming and Sheet Metal Screws) unless specified otherwise.

**All torque values are in Lb-Ft except those marked with an * which are Lb-In
(For metric torque value Nm, multiply Lb-Ft value by 1.355 or Lb-In value by 0.113)**

Unified National Thread	Grade 2		Grade 5		Grade 8	
	Dry	Lubed	Dry	Lubed	Dry	Lubed
8-32 8-36	19* 20*	14* 15*	30* 31*	22* 23*	41* 43*	31* 32*
10-24 10-32	27* 31*	21* 23*	43* 49*	32* 36*	60* 68*	45* 51*
1/4-20 1/4-28	66* 76*	50* 56*	9 10	75* 86*	12 14	9 10
5/16-18 5/16-24	11 12	9	17 19	13 14	25	18 20
3/8-16 3/8-24	20 23	15 17	30 35	23 25	45 50	35
7/16-14 7/16-20	32 36	24 27	50 55	35 40	70 80	55 60
1/2-13 1/2-20	50 55	35 40	75 90	55 65	110 120	80 90
9/16-12 9/16-18	70 80	55 60	110 120	80 90	150 170	110 130
5/8-11 5/8-18	100 110	75 85	150 180	110 130	220 240	170 180
3/4-10 3/4-16	175 200	130 150	260 300	200 220	380 420	280 320
7/8-9 7/8-14	170 180	125 140	430 470	320 360	600 660	460 500
1-8 1-14	250 270	190 210	640 710	480 530	900 1000	680 740

Attaching Hardware

Size & Description	Part Number	Size & Description	Part Number	Size & Description	Part Number	Size & Description	Part Number
3/8 FLN	070856	7/16 P	654046	1/2 P	654009	3/4 L	654034
3/8 LN	071703	1/2 JN	653044	5/8 JN	653047	3/4 N	653026
3/8N	653010	1/2 L	654030	5/8 L	654032	7/8 L	650652
3/8 NILN	067847	1/2 LN	071076	5/8 N	653021	7/8 N-NF	650651
3/8 P	654006	1/2 N	653018	5/8 P	654012		

GEHL®

Gehl Company 143 Water Street, P.O. Box 179, West Bend, WI 53095-0179