



SERVICE BULLETIN

June 9, 2014

Subject: **High Altitude / Sea Level Specifications**

No. **2015-5**

REVISION ►2
January 12, 2015◄

►TEXT(S) BETWEEN ARROWS IS (ARE) MODIFIED ELEMENT(S) TO THE PREVIOUS PUBLICATION.◄

YEAR	MODEL	MODEL NUMBER	SERIAL NUMBER
2015	All	All	All

TABLE OF CONTENTS

	Page		Page
GENERAL INFORMATION	4	MX Z™ SPORT 600	14
Previous Model Year Vehicles	4	Drive Pulley	14
Reverse Connector	4	Driven Pulley	14
Table Format	4	Carburation	15
Sea Level Calibration Kit	5	Main Jet Chart	15
GRAND TOURING™ SPORT 550F	6	RENEGADE™ SPORT 600	16
Drive Pulley	6	Drive Pulley	16
Driven Pulley	6	Driven Pulley	16
Carburation	7	Carburation	17
Main Jet Chart	7	Main Jet Chart	17
Additional Information	8	SUMMIT™ SPORT 146" 600	18
EXPEDITION® SPORT 550F / TUNDRA™		Drive Pulley	18
SPORT 550F / TUNDRA LT 550F		Driven Pulley	18
/SKANDIC™ WT LIGHT 550F	9	Carburation	19
Drive Pulley	9	Main Jet Chart	19
Driven Pulley	9	Vehicle Calibration	20
Carburation	10	EXPEDITION LE 600 HO E-TEC® /	
Main Jet Chart	10	EXPEDITION SE 600 HO E-TEC	21
Additional Information	11	Drive Pulley	21
SKANDIC WT 550F / SKANDIC SWT		Driven Pulley	21
550F	12	SKANDIC WT 600 HO E-TEC / SKANDIC	
Drive Pulley	12	SWT 600 HO E-TEC	22
Driven Pulley	12	Drive Pulley	22
Carburation	13	Driven Pulley	22
Main Jet Chart	13		

GSX™ LE 600 HO E-TEC	23
Drive Pulley.....	23
Driven Pulley	23
GRAND TOURING LE 600 HO E-TEC / GSX SE 600 HO E-TEC	24
Drive Pulley.....	24
Driven Pulley	24
MX Z™ TNT 600 HO E-TEC /MX Z X™ 600 HO E-TEC /MX Z X-RS™ 600 HO E-TEC /▶MX Z X-RS IRON DOG 600 HO E-TEC /◀RENEGADE™ ADRENALINE™ 600 HO E-TEC /RENEGADE BACKCOUNTRY™ 600 HO E-TEC /RENEGADE BACKCOUNTRY X 600 HO E-TEC /RENEGADE X 600 HO E-TEC	25
Drive Pulley.....	25
Driven Pulley	25
TUNDRA Xtreme 600 HO E-TEC (CAN/USA)	26
Drive Pulley.....	26
Driven Pulley	26
Vehicle Calibration	26
TUNDRA Xtreme 600 HO E-TEC (EUROPE)	27
Drive Pulley.....	27
Driven Pulley	27
Vehicle Calibration	27
SUMMIT SP 146" AND 154" 600 HO E-TEC (CAN/USA)	28
Drive Pulley.....	28
Driven Pulley	28
Vehicle Calibration	28
SUMMIT SP 146" 600 HO E-TEC (EUROPE)	29
Drive Pulley.....	29
Driven Pulley	29
Vehicle Calibration	29
SUMMIT SPORT 154" 800R POWER TEK™	30
Drive Pulley.....	30
Driven Pulley	30
Carburation	31
Main Jet Chart.....	31
Vehicle Calibration	31
FREERIDE™ 137" 800R E-TEC(Track with profile of 44.5 mm (1-3/4 in))	32
Drive Pulley.....	32
Driven Pulley	32
Vehicle Calibration	32

FREERIDE 137" 800R E-TEC(Track with profile of 57 mm (2-1/4 in))	33
Drive Pulley.....	33
Driven Pulley	33
Vehicle Calibration	33
FREERIDE 146" AND 154" 800R E-TEC SEA-LEVEL /SUMMIT X 146", 154" AND 163" 800R E-TEC SEA-LEVEL(Track with profile of 63.5 mm (2-1/2 in)) /SUMMIT SP 154" AND 163" 800R E-TEC SEA-LEVEL (EUROPE)(Track with profile of 63.5 mm (2-1/2 in))	34
Drive Pulley.....	34
Driven Pulley	34
Vehicle Calibration	34
Chaincase Gears.....	35
FREERIDE 146" AND 154" 800R E-TEC HIGH ALTITUDE / SUMMIT SP 146", 154" AND 163" 800R E-TEC HIGH ALTITUDE(Track with profile of 63.5 mm (2-1/2 in)) /SUMMIT X 146" 800R E-TEC HIGH ALTITUDE(Track with profile of 63.5 mm (2-1/2 in)) /SUMMIT X 154" AND 163" 800R E-TEC HIGH ALTITUDE (Track with profile of 63.5 mm (2-1/2 in))	37
Drive Pulley.....	37
Driven Pulley	37
Vehicle Calibration	38
Chaincase Gears.....	38
SUMMIT X 163" AND 174" 800R E-TEC WITH T3 PACKAGE(Track with profile of 76.2 mm (3 in))	40
Drive Pulley.....	40
Driven Pulley	40
Vehicle Calibration	40
Chaincase Gears.....	41
GSX SE 800R E-TEC	43
Drive Pulley.....	43
Driven Pulley	43
MX Z TNT 800R E-TEC / MX Z X 800R E-TEC / MX Z X-RS 800R E-TEC /▶MX Z X-RS IRON DOG 800R E-TEC◀	44
Drive Pulley.....	44
Driven Pulley	44
RENEGADE ADRENALINE 800R E-TEC /RENEGADE X 800R E-TEC /RENEGADE X-RS 800R E-TEC (CAN / USA)(Track with profile of 31.8 mm and 38.1 mm (1-1/4 in and 1-1/2 in))	45
Drive Pulley.....	45
Driven Pulley	45

**RENEGADE BACKCOUNTRY 800R E-TEC
/RENEGADE BACKCOUNTRY X 800R
E-TEC /RENEGADE X-RS 800R E-TEC
(EUROPE)(Track with profile of 44.5 mm
(1-3/4 in)) 46**

- Drive Pulley..... 46
- Driven Pulley 46

**TUNDRA SPORT 600 ACE /TUNDRA LT
600 ACE /EXPEDITION SPORT 600 ACE
/RENEGADE SPORT 600 ACE 47**

- Drive Pulley..... 47
- Driven Pulley 47

**GRAND TOURING SPORT 600 ACE /MX Z
SPORT 600 ACE..... 48**

- Drive Pulley..... 48
- Driven Pulley 48

SKANDIC WT 600 ACE 49

- Drive Pulley..... 49
- Driven Pulley 49

**GSX LE 1200 4-TEC /GSX SE 1200
4-TEC /GRAND TOURING LE 1200 4-TEC
/GRAND TOURING SE 1200 4-TEC /MX
Z TNT 1200 4-TEC /MX Z X 1200 4-TEC
/RENEGADE ADRENALINE 1200 4-TEC
/RENEGADE X 1200 4-TEC..... 50**

- Drive Pulley..... 50
- Driven Pulley 50

EXPEDITION SE 1200 4-TEC 51

- Drive Pulley..... 51
- Driven Pulley 51

**EXPEDITION SPORT 900 ACE /GRAND
TOURING LE 900 ACE /MX Z TNT 900 ACE
/RENEGADE ADRENALINE 900 ACE.... 52**

- Drive Pulley..... 52
- Driven Pulley 52

GSX LE 900 ACE..... 53

- Drive Pulley..... 53
- Driven Pulley 53

**SKANDIC WT/SWT 900 ACE /SKANDIC
SWT 900 ACE /EXPEDITION LE 900 ACE
/EXPEDITION SE 900 ACE 54**

- Drive Pulley..... 54
- Driven Pulley 54

**OPTIONAL DRIVE PULLEY SPRING RATES
AND SPECIFICATIONS 55**

- eDrive I (550F) 55
- eDrive II (600 ACE / 900 ACE / 1200 4-TEC) 55

GENERAL INFORMATION

Previous Model Year Vehicles

This bulletin supplies all the information required to modify current year vehicles for high altitude and/or sea level riding.

MODEL YEAR	LATEST REVISION OF BULLETIN NO.
2014	2014-4
2013	2013-2
2012	2012-4
2011	2011-6
2010	2010-5
2009	2009-5
2008	2008-6

NOTE: Throughout this entire document, shaded areas give factory settings (that could apply through different altitudes) while N/A stands for "not applicable".

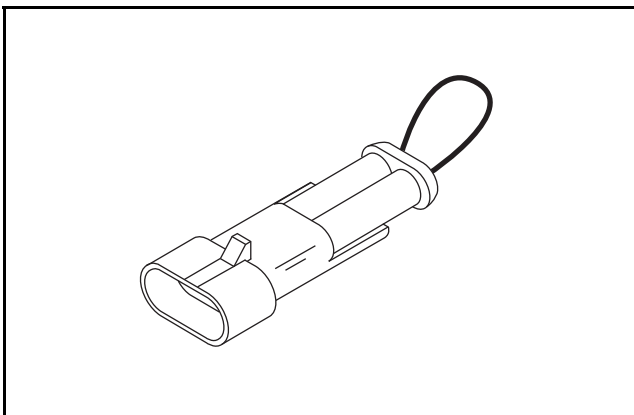
NOTICE The following modifications and adjustments apply for high altitude operation as well as sea level operation.

PARTS AND LABOR COST ARE NOT COVERED BY BRP LIMITED WARRANTY.

Reverse Connector

The reverse connector (P/N 515 174 700) is used at 1 800 m (6,000 ft) altitude and higher for all FAN cooled models with electronic reverse device. To use Reverse Connector proceed as follows:

1. Unplug existing sea level cap from the ECM.
2. Plug-in the reverse connector.



REVERSE CONNECTOR

Table Format

The shady portions of the table indicate factory settings.

ALTITUDE	
Part to be modified	Recommended Adjustment

Sea Level Calibration Kit

When the high altitude calibration must be modified to sea level calibration on Freeride™ and Summit™ models (146" and up), the following kits may be used. These kits include all required parts to set-up the vehicle.

MODEL	PART NUMBER
Summit Sport 800 Power TEK	
154"	860 200 394
Freeride and Summit 800R E-TEC	
146"	860 201 118
154"	860 201 119
163"	860 201 120
163" (T3™ Package)	860 201 194
174" (T3 Package)	860 201 120

Kit Description

SEA LEVEL CALIBRATION KIT (P/N 860 200 394)		
DESCRIPTION	PART NUMBER	QTY
Ramp 413	417 222 508	3
Long solid Pin 35,75 mm/18,8 g	417 222 594	3
Cotter pin	250 400 060	3
Spring (Blue/Purple)	414 817 800	1
M14 Spring washer	250 200 006	1

SEA LEVEL CALIBRATION KIT (P/N 860 201 118)		
DESCRIPTION	PART NUMBER	QTY
Ramp 413	417 222 508	3
Long solid pin 35,75 mm/18,8 g	417 222 594	3
Cotter pin	250 400 060	3
Spring (Yellow/green)	414 742 100	1
M14 spring washer	250 200 006	1

SEA LEVEL CALIBRATION KIT (P/N 860 201 119)		
DESCRIPTION	PART NUMBER	QTY
Ramp 413	417 222 508	3

SEA LEVEL CALIBRATION KIT (P/N 860 201 119)		
DESCRIPTION	PART NUMBER	QTY
Long solid pin 35,75 mm/18,8 g	417 222 594	3
Cotter pin	250 400 060	3
Spring (Yellow/green)	414 742 100	1
M14 spring washer	250 200 006	1
Upper gear - 21 teeth	504 096 200	1
Chain - 106 links	504 152 630	1

SEA LEVEL CALIBRATION KIT (P/N 860 201 120)		
DESCRIPTION	PART NUMBER	QTY
Ramp 413	417 222 508	3
Long solid pin 35,75 mm/18,8 g	417 222 594	3
Cotter pin	250 400 060	3
Spring (Yellow/green)	414 742 100	1
M14 spring washer	250 200 006	1
Upper gear - 21 teeth	504 096 200	1

SEA LEVEL CALIBRATION KIT (P/N 860 201 194)		
DESCRIPTION	PART NUMBER	QTY
Ramp 413	417 222 508	3
Long solid pin 35,75 mm/18,8 g	417 222 594	3
Cotter pin	250 400 060	3
Spring (Yellow/green)	414 742 100	1
M14 spring washer	250 200 006	1
Upper gear - 23 teeth	504 091 000	1

GRAND TOURING™ SPORT 550F

Drive Pulley

	SEA LEVEL 0 M (0 FT)	600 M (2000 FT)	1200 M (4000 FT)	1800 M (6000 FT)	2400 M (8000 FT)	3000 M (10000 FT)
Spring	Red/Orange (P/N 417 223 316)	Red/Green (P/N 417 223 459)	Red/Red (P/N 417 223 186)	Red/Yellow (P/N 417 223 315)	Red/Orange (P/N 417 223 316)	Red/Green (P/N 417 223 459)
Ramp	730 (P/N 417 223 558)		734 (P/N 417 223 678)			
Ramp quantity	6					
Engagement RPM ± 100	2600					
Maximum RPM ± 100	6800					

Driven Pulley

	SEA LEVEL 0 M (0 FT)	600 M (2000 FT)	1200 M (4000 FT)	1800 M (6000 FT)	2400 M (8000 FT)	3000 M (10000 FT)
Spring	Brown (P/N 417 127 061)					
Spring tension Kg ± 0.7 (lb ± 1.5)	N/A					
Cam angle (degrees)	47-44° (P/N 417 127 109)					

Carburation

NOTICE These adjustments are guidelines only. Specific adjustments vary with temperature, altitude and snow condition. Always observe spark plug condition for proper jetting.

		SEA LEVEL 0 M (0 FT)	600 M (2000 FT)	1200 M (4000 FT)	1800 M (6000 FT)	2400 M (8000 FT)	3000 M (10000 FT)	
Main jet	MAG	190	180	170	160	140	130	1
	PTO	200	190					1
Jet needle		6BFY46						2
MAG Needle position		3		2				—
PTO Needle position		4		2				—
Slide cut-away		2.5						2
Pilot jet		35		45		55		2
MAG mixture screw		1.25						—
PTO mixture screw		1		1.25				—
Valve seat		1.2						2
Needle jet		P-8 (159)				P-6 (159)		2
Float level (± 1 mm)		23.9						—
Idle RPM (± 200)		1650						—
Idle throttle valve position (± 0.1 mm)		1.6		1.8	2	2.2	2.4	—

Main Jet Chart

	SEA LEVEL 0 M (0 FT)	600 M (2000 FT)	1200 M (4000 FT)	1800 M (6000 FT)	2400 M (8000 FT)	3000 M (10000 FT)	
-40°C (-40°F)	MAG	200	190	180	170	150	140
	PTO	210	200				
-30°C (-22°F)	MAG	195	185	175	165	145	135
	PTO	205	195				
-20°C (-4°F)	MAG	190	180	170	160	140	130
	PTO	200	190				
-10°C (14°F)	MAG	185	175	165	155	135	125
	PTO	195	185				
0°C (32°F)	MAG	180	170	160	150	130	120
	PTO	190	180				
10°C (50°F)	MAG	175	165	155	145	125	115
	PTO	185	175				
20°C (68°F)	MAG	170	160	150	140	120	110
	PTO	180	170				

Additional Information

	SEA LEVEL 0 M (0 FT)	600 M (2000 FT)	1200 M (4000 FT)	1800 M (6000 FT)	2400 M (8000 FT)	3000 M (10000 FT)
Reverse connector		(P/N 515 174 800)			(P/N 515 174 700)	Connect to ECM

**EXPEDITION® SPORT 550F /
TUNDRA™ SPORT 550F /
TUNDRA LT 550F /
SKANDIC™ WT LIGHT 550F**

Drive Pulley

	SEA LEVEL 0 M (0 FT)	600 M (2000 FT)	1200 M (4000 FT)	1800 M (6000 FT)	2400 M (8000 FT)	3000 M (10000 FT)
Spring	Red/Orange (P/N 417 223 316)	Red/Green (P/N 417 223 459)	Red/Red (P/N 417 223 186)	Red/Yellow (P/N 417 223 315)	Red/Orange (P/N 417 223 316)	Red/Green (P/N 417 223 459)
Ramp	700 (P/N 417 223 457)		734 (P/N 417 223 678)			
Ramp quantity	6					
Engagement RPM ± 100	2600					
Maximum RPM ± 100	6800					

Driven Pulley

	SEA LEVEL 0 M (0 FT)	600 M (2000 FT)	1200 M (4000 FT)	1800 M (6000 FT)	2400 M (8000 FT)	3000 M (10000 FT)
Spring	Brown (P/N 417 127 061)					
Spring tension Kg ± 0.7 (lb ± 1.5)	N/A					
Cam angle (degrees)	44° (P/N 417 127 011)					

Carburation

NOTICE These adjustments are guidelines only. Specific adjustments vary with temperature, altitude and snow condition. Always observe spark plug condition for proper jetting.

		SEA LEVEL 0 M (0 FT)	600 M (2000 FT)	1200 M (4000 FT)	1800 M (6000 FT)	2400 M (8000 FT)	3000 M (10000 FT)	
Main jet	MAG	190	180	170	160	140	130	1
	PTO	200	190					1
Jet needle		6BFY46						2
MAG needle position		3			2			—
PTO needle position		4			2			
Slide cut-away		2.5						2
Pilot jet		35			45		55	2
MAG mixture screw		1.25						—
PTO mixture screw		1			1.25			
Valve seat		1.2						2
Needle jet		P-8 (159)				P-6 (159)		2
Float level (± 1 mm)		23.9						—
Idle RPM (± 200)		1650						—
Idle throttle valve position (± 0.1 mm)		1.6		1.8	2	2.2	2.4	—

Main Jet Chart

		SEA LEVEL 0 M (0 FT)	600 M (2000 FT)	1200 M (4000 FT)	1800 M (6000 FT)	2400 M (8000 FT)	3000 M (10000 FT)
-40°C (-40°F)	MAG	200	190	180	170	150	140
	PTO	210	200				
-30°C (-22°F)	MAG	195	185	175	165	145	135
	PTO	205	195				
-20°C (-4°F)	MAG	190	180	170	160	140	130
	PTO	200	190				
-10°C (14°F)	MAG	185	175	165	155	135	125
	PTO	195	185				
0°C (32°F)	MAG	180	170	160	150	130	120
	PTO	190	180				
10°C (50°F)	MAG	175	165	155	145	125	115
	PTO	185	175				
20°C (68°F)	MAG	170	160	150	140	120	110
	PTO	180	170				

Additional Information

	SEA LEVEL 0 M (0 FT)	600 M (2000 FT)	1200 M (4000 FT)	1800 M (6000 FT)	2400 M (8000 FT)	3000 M (10000 FT)
Reverse connector		(P/N 515 174 800)			(P/N 515 174 700) Connect to ECM	

SKANDIC WT 550F / SKANDIC SWT 550F

Drive Pulley

	SEA LEVEL 0 M (0 FT)	600 M (2000 FT)	1200 M (4000 FT)	1800 M (6000 FT)	2400 M (8000 FT)	3000 M (10000 FT)
Spring	Red/Orange (P/N 417 223 316)	Red/Green (P/N 417 223 459)	Red/Red (P/N 417 223 186)	Red/Yellow (P/N 417 223 315)	Red/Orange (P/N 417 223 316)	Red/Green (P/N 417 223 459)
Ramp	700 (P/N 417 223 457)		734 (P/N 417 223 678)			
Ramp quantity	6					
Engagement RPM \pm 100	2600					
Maximum RPM \pm 100	6800					

Driven Pulley

	SEA LEVEL 0 M (0 FT)	600 M (2000 FT)	1200 M (4000 FT)	1800 M (6000 FT)	2400 M (8000 FT)	3000 M (10000 FT)
Spring	Pink 2 (P/N 417 127 236)					
Spring tension Kg \pm 0.7 (lb \pm 1.5)	6.4 kgf (14.1 lbf)					
Cam angle (degrees)	47° - 44° (P/N 417 127 148)					

Carburation

NOTICE These adjustments are guidelines only. Specific adjustments vary with temperature, altitude and snow condition. Always observe spark plug condition for proper jetting.

		SEA LEVEL 0 M (0 FT)	600 M (2000 FT)	1200 M (4000 FT)	1800 M (6000 FT)	2400 M (8000 FT)	3000 M (10000 FT)	
Main jet	MAG	190	180	170	160	150	140	1
	PTO	200						1
Jet needle		6BFY46						2
MAG needle position	3	2			1			—
PTO needle position	4							
Slide cut-away		2.0						2
Pilot jet		35	40					2
MAG mixture screw		2.5			2			—
PTO mixture screw		1						
Valve seat		1.2						2
Needle jet		P-8 (159)						2
Float level (± 1 mm)		23.9						—
Idle RPM (± 200)		1650						—
Idle throttle valve position (± 0.1 mm)		1.5	1.7	1.8	2	2.1	2.2	—

Main Jet Chart

		SEA LEVEL 0 M (0 FT)	600 M (2000 FT)	1200 M (4000 FT)	1800 M (6000 FT)	2400 M (8000 FT)	3000 M (10000 FT)
-40°C (-40°F)	MAG	210	200	190	180	170	160
	PTO						
-30°C (-22°F)	MAG	200	190	180	170	160	150
	PTO						
-20°C (-4°F)	MAG	190	180	170	160	150	140
	PTO						
-10°C (14°F)	MAG	180	170	160	150	140	130
	PTO						
0°C (32°F)	MAG	170	160	150	140	130	120
	PTO						
10°C (50°F)	MAG	160	150	140	130	120	110
	PTO						
20°C (68°F)	MAG	150	140	130	120	110	100
	PTO						

MX Z™ SPORT 600

Drive Pulley

	SEA LEVEL 0 M (0 FT)	600 M (2000 FT)	1200 M (4000 FT)	1800 M (6000 FT)	2400 M (8000 FT)	3000 M (10000 FT)
Spring	Purple/Purple (P/N 414 817 900)			Pink/Purple (P/N 414 754 200)		
Ramp	412 (P/N 417 222 515)					
Calibration Screw Position	3	4	5	4	5	6
Pin	Short solid 32 mm/16,75 g (P/N 417 004 308)			Short no thread 32 mm/9,9 g (P/N 417 004 309)		
Engagement RPM \pm 100	3800			3900	4100	
Maximum RPM \pm 100	8100					

Driven Pulley

	SEA LEVEL 0 M (0 FT)	600 M (2000 FT)	1200 M (4000 FT)	1800 M (6000 FT)	2400 M (8000 FT)	3000 M (10000 FT)
Spring	Black (P/N 417 127 039)					
Spring tension Kg \pm 0.7 (lb \pm 1.5)	N/A					
Cam angle (degrees)	42° (P/N 417 127 012)					

Carburation

NOTICE These adjustments are guidelines only. Specific adjustments vary with temperature, altitude and snow condition. Always observe spark plug condition for proper jetting.

		SEA LEVEL 0 M (0 FT)	600 M (2000 FT)	1200 M (4000 FT)	1800 M (6000 FT)	2400 M (8000 FT)	3000 M (10000 FT)	
Main jet	MAG	390	370	350	330	300	280	1
	PTO							1
Jet needle		9CEY2-58						2
Needle position		2						—
Slide cut-away		2.0						2
Pilot jet		17.5						2
Mixture screw		1.5			2			—
Valve seat		1.5						2
Needle jet		P-0M						2
Float level (± 1 mm)		N/A						—
Idle RPM (± 200)		1600						—
Idle throttle valve position (± 0.1 mm)		1.5	1.6	1.7	1.8	1.9		—

Main Jet Chart

		SEA LEVEL 0 M (0 FT)	600 M (2000 FT)	1200 M (4000 FT)	1800 M (6000 FT)	2400 M (8000 FT)	3000 M (10000 FT)
-40°C (-40°F)	MAG	410	390	370	350	320	300
	PTO						
-30°C (-22°F)	MAG	400	380	360	340	310	290
	PTO						
-20°C (-4°F)	MAG	390	370	350	330	300	280
	PTO						
-10°C (14°F)	MAG	380	360	340	320	290	270
	PTO						
0°C (32°F)	MAG	370	350	330	310	280	260
	PTO						
10°C (50°F)	MAG	360	340	320	300	270	250
	PTO						
20°C (68°F)	MAG	350	330	310	290	260	240
	PTO						

RENEGADE™ SPORT 600

Drive Pulley

	SEA LEVEL 0 M (0 FT)	600 M (2000 FT)	1200 M (4000 FT)	1800 M (6000 FT)	2400 M (8000 FT)	3000 M (10000 FT)
Spring	Blue/Purple (P/N 414 817 900)			??Pink/Purple (P/N 414 754 200)		
Ramp	412 (P/N 417 222 515)					
Calibration Screw Position	3	4	5	4	5	6
Pin	Short solid 32 mm/16,75 g (P/N 417 004 308)			Short no thread 32 mm/9,9 g (P/N 417 004 309)		
Engagement RPM \pm 100	3400			4100		
Maximum RPM \pm 100	8100					

Driven Pulley

	SEA LEVEL 0 M (0 FT)	600 M (2000 FT)	1200 M (4000 FT)	1800 M (6000 FT)	2400 M (8000 FT)	3000 M (10000 FT)
Spring	Black (P/N 417 127 039)					
Spring tension Kg \pm 0.7 (lb \pm 1.5)	N/A					
Cam angle (degrees)	42° (P/N 417 127 012)					

Carburation

NOTICE These adjustments are guidelines only. Specific adjustments vary with temperature, altitude and snow condition. Always observe spark plug condition for proper jetting.

		SEA LEVEL 0 M (0 FT)	600 M (2000 FT)	1200 M (4000 FT)	1800 M (6000 FT)	2400 M (8000 FT)	3000 M (10000 FT)	
Main jet	MAG	390	370	350	330	300	280	1
	PTO							1
Jet needle		9CEY2-58						2
Needle position		2						—
Slide cut-away		2.0						2
Pilot jet		17.5						2
Mixture screw		1.5			2			—
Valve seat		1.5						2
Needle jet		P-0M						2
Float level (± 1 mm)		N/A						—
Idle RPM (± 200)		1600						—
Idle throttle valve position (± 0.1 mm)		1.5	1.6	1.7	1.8	1.9		—

Main Jet Chart

		SEA LEVEL 0 M (0 FT)	600 M (2000 FT)	1200 M (4000 FT)	1800 M (6000 FT)	2400 M (8000 FT)	3000 M (10000 FT)
-40°C (-40°F)	MAG	410	390	370	350	320	300
	PTO						
-30°C (-22°F)	MAG	400	380	360	340	310	290
	PTO						
-20°C (-4°F)	MAG	390	370	350	330	300	280
	PTO						
-10°C (14°F)	MAG	380	360	340	320	290	270
	PTO						
0°C (32°F)	MAG	370	350	330	310	280	260
	PTO						
10°C (50°F)	MAG	360	340	320	300	270	250
	PTO						
20°C (68°F)	MAG	350	330	310	290	260	240
	PTO						

SUMMIT™ SPORT 146" 600

Drive Pulley

	SEA LEVEL 0 M (0 FT)	600 M (2000 FT)	1200 M (4000 FT)	1800 M (6000 FT)	2400 M (8000 FT)	3000 M (10000 FT)
Spring	Blue/Pink (P/N 414 916 300)			Green/Pink (P/N 414 756 900)		
Ramp	417 (P/N 417 222 552)					
Calibration Screw Position	3	4	2	3	4	5
Pin	Short solid 32 mm/16,75 g (P/N 417 004 308)		Short threaded 32 mm/10,88 g (P/N 417 222 477) 1 x set screw 20 mm (P/N 206 262 099)		Short threaded 32 mm/10,88 g (P/N 417 222 477)	
Engagement RPM \pm 100	3400			4100		
Maximum RPM \pm 100	8100					

Driven Pulley

	SEA LEVEL 0 M (0 FT)	600 M (2000 FT)	1200 M (4000 FT)	1800 M (6000 FT)	2400 M (8000 FT)	3000 M (10000 FT)
Spring	Black (P/N 417 127 039)					
Spring tension Kg \pm 0.7 (lb \pm 1.5)	N/A					
Cam angle (degrees)	43° - 47° (P/N 417 127 133)					

Carburation

NOTICE These adjustments are guidelines only. Specific adjustments vary with temperature, altitude and snow condition. Always observe spark plug condition for proper jetting.

		SEA LEVEL 0 M (0 FT)	600 M (2000 FT)	1200 M (4000 FT)	1800 M (6000 FT)	2400 M (8000 FT)	3000 M (10000 FT)	
Main jet	MAG	390	370	350	330	300	280	1
	PTO							1
Jet needle		9CEY2-58						2
Needle position		2						—
Slide cut-away		2.0						2
Pilot jet		17.5						2
Mixture screw		1.5			2			—
Valve seat		1.5						2
Needle jet		P-0M						2
Float level (± 1 mm)		N/A						—
Idle RPM (± 200)		1600						—
Idle throttle valve position (± 0.1 mm)		1.5	1.6	1.7	1.8	1.9		—

Main Jet Chart

		SEA LEVEL 0 M (0 FT)	600 M (2000 FT)	1200 M (4000 FT)	1800 M (6000 FT)	2400 M (8000 FT)	3000 M (10000 FT)
-40°C (-40°F)	MAG	410	390	370	350	320	300
	PTO						
-30°C (-22°F)	MAG	400	380	360	340	310	290
	PTO						
-20°C (-4°F)	MAG	390	370	350	330	300	280
	PTO						
-10°C (14°F)	MAG	380	360	340	320	290	270
	PTO						
0°C (32°F)	MAG	370	350	330	310	280	260
	PTO						
10°C (50°F)	MAG	360	340	320	300	270	250
	PTO						
20°C (68°F)	MAG	350	330	310	290	260	240
	PTO						

Vehicle Calibration

	SEA LEVEL 0 M (0 FT)	600 M (2000 FT)	1200 M (4000 FT)	1800 M (6000 FT)	2400 M (8000 FT)	3000 M (10000 FT)
Stopper Strap		4		3		2

EXPEDITION LE 600 HO E-TEC® / EXPEDITION SE 600 HO E-TEC

Drive Pulley

	SEA LEVEL 0 M (0 FT)	600 M (2000 FT)	1200 M (4000 FT)	1800 M (6000 FT)	2400 M (8000 FT)	3000 M (10000 FT)
Spring	Yellow/Red (P/N 414 993 000)					
Ramp	600 (P/N 417 222 444)					
Calibration Screw Position	2	3	4	2	3	4
Pin	Long solid 35.75 mm/18,8 g (P/N 417 222 594)			Short threaded 32 mm/10,88 g (P/N 417 222 477) 1 X set screw 16 mm (P/N 206 261 699)		
Engagement RPM ± 100	3000					
Maximum RPM ± 100	8100					

Driven Pulley

	SEA LEVEL 0 M (0 FT)	600 M (2000 FT)	1200 M (4000 FT)	1800 M (6000 FT)	2400 M (8000 FT)	3000 M (10000 FT)
Spring	White 2 (P/N 417 127 243)					
Spring tension Kg ± 0.7 (lb ± 1.5)	6.8 kgf (15 lbf)					
Cam angle (degrees)	40° (P/N 417 127 205)					

SKANDIC WT 600 HO E-TEC / SKANDIC SWT 600 HO E-TEC

Drive Pulley

	SEA LEVEL 0 M (0 FT)	600 M (2000 FT)	1200 M (4000 FT)	1800 M (6000 FT)	2400 M (8000 FT)	3000 M (10000 FT)
Spring	Yellow/Red (P/N 414 993 000)					
Ramp	600 (P/N 417 222 444)					
Calibration Screw Position	2	3	4	2	3	4
Pin	Long solid 35.75 mm/18,8 g (P/N 417 222 594)			Short threaded 32 mm/10,88 g (P/N 417 222 477)		
Engagement RPM \pm 100	3000					
Maximum RPM \pm 100	8100					

Driven Pulley

	SEA LEVEL 0 M (0 FT)	600 M (2000 FT)	1200 M (4000 FT)	1800 M (6000 FT)	2400 M (8000 FT)	3000 M (10000 FT)
Spring	White 2 (P/N 417 127 243)					
Spring tension Kg \pm 0.7 (lb \pm 1.5)	6.8 kgf (15 lbf)					
Cam angle (degrees)	41° - 45° (P/N 417 127 105)					

GSX™ LE 600 HO E-TEC

Drive Pulley

	SEA LEVEL 0 M (0 FT)	600 M (2000 FT)	1200 M (4000 FT)	1800 M (6000 FT)	2400 M (8000 FT)	3000 M (10000 FT)
Spring	Yellow/Green (P/N 414 742 100)			Blue/Yellow (P/N 414 689 500)		
Ramp	412 (P/N 417 222 515)					
Calibration Screw Position	3	4	5	2	3	4
Pin	Short solid 32 mm/16,75 g (P/N 417 004 308)			Short no thread 32 mm/10.88 g (P/N 417 222 477)		
Engagement RPM \pm 100	3400			3800		
Maximum RPM \pm 100	8100					

Driven Pulley

	SEA LEVEL 0 M (0 FT)	600 M (2000 FT)	1200 M (4000 FT)	1800 M (6000 FT)	2400 M (8000 FT)	3000 M (10000 FT)
Spring	Green (P/N 417 127 137)					
Spring tension Kg \pm 0.7 (lb \pm 1.5)	N/A					
Cam angle (degrees)	48° (P/N 417 127 083)			40° (P/N 417 126 956)		

GRAND TOURING LE 600 HO E-TEC / GSX SE 600 HO E-TEC

Drive Pulley

	SEA LEVEL 0 M (0 FT)	600 M (2000 FT)	1200 M (4000 FT)	1800 M (6000 FT)	2400 M (8000 FT)	3000 M (10000 FT)
Spring	Red/Green (P/N 414 689 200)			Blue/Yellow (P/N 414 689 500)		
Ramp	414 (P/N 417 222 546)					
Calibration Screw Position	3	4	5	3	4	5
Pin	Short solid 32 mm/16,75 g (P/N 417 004 308)			Short no thread 32 mm/9,9 g (P/N 417 004 309)		
Engagement RPM \pm 100	3400			3600		
Maximum RPM \pm 100	8100					

Driven Pulley

	SEA LEVEL 0 M (0 FT)	600 M (2000 FT)	1200 M (4000 FT)	1800 M (6000 FT)	2400 M (8000 FT)	3000 M (10000 FT)
Spring	Green (P/N 417 127 137)					
Spring tension Kg \pm 0.7 (lb \pm 1.5)	N/A					
Cam angle (degrees)	48° (P/N 417 127 083)			42° - 40° (P/N 417 127 106)		

MX Z™ TNT 600 HO E-TEC /
MX Z X™ 600 HO E-TEC /
MX Z X-RS™ 600 HO E-TEC /
►MX Z X-RS IRON DOG 600 HO E-TEC /◀
RENEGADE™ ADRENALINE™ 600 HO E-TEC /
RENEGADE BACKCOUNTRY™ 600 HO E-TEC /
RENEGADE BACKCOUNTRY X 600 HO E-TEC /
RENEGADE X 600 HO E-TEC

Drive Pulley

	SEA LEVEL 0 M (0 FT)	600 M (2000 FT)	1200 M (4000 FT)	1800 M (6000 FT)	2400 M (8000 FT)	3000 M (10000 FT)
Spring	Blue/Green (P/N 414 817 700)			Purple/Yellow (P/N 415 015 300)		
Ramp	412 (P/N 417 222 515)					
Calibration Screw Position	3	4	5	2	3	4
Pin	Short solid 32 mm/16,75 g (P/N 417 004 308)			Short threaded 32 mm/10.88 g (P/N 417 222 477)		
Engagement RPM ± 100	3400			3800		
Maximum RPM ± 100	8100					

Driven Pulley

	SEA LEVEL 0 M (0 FT)	600 M (2000 FT)	1200 M (4000 FT)	1800 M (6000 FT)	2400 M (8000 FT)	3000 M (10000 FT)
Spring	Green (P/N 417 127 137)					
Spring tension Kg ± 0.7 (lb ± 1.5)	N/A					
Cam angle (degrees)	48° (P/N 417 127 083)			40° (P/N 417 126 956)		

TUNDRA Xtreme 600 HO E-TEC (CAN/USA)

Drive Pulley

	SEA LEVEL 0 M (0 FT)	600 M (2000 FT)	1200 M (4000 FT)	1800 M (6000 FT)	2400 M (8000 FT)	3000 M (10000 FT)
Spring		Red/Orange (P/N 415 015 200)			Blue/Green (P/N 414 817 700)	
Ramp		417 (P/N 417 222 552)				
Calibration Screw Position	3	4	5	3	4	5
Pin		Short solid 32 mm/16,75 g (P/N 417 004 308)			Short threaded 32 mm/10,88 g (P/N 417 222 477)	
Engagement RPM \pm 100		2800			3800	
Maximum RPM \pm 100		8100				

Driven Pulley

	SEA LEVEL 0 M (0 FT)	600 M (2000 FT)	1200 M (4000 FT)	1800 M (6000 FT)	2400 M (8000 FT)	3000 M (10000 FT)
Spring		Black (P/N 417 127 039)				
Spring tension Kg \pm 0.7 (lb \pm 1.5)		N/A				
Cam angle (degrees)		44° - 42° (P/N 417 126 973)			41° - 45° (P/N 417 127 105)	

Vehicle Calibration

	SEA LEVEL 0 M (0 FT)	600 M (2000 FT)	1200 M (4000 FT)	1800 M (6000 FT)	2400 M (8000 FT)	3000 M (10000 FT)
Stopper Strap		3				
Rear suspension extension		Locked		Free		

TUNDRA Xtreme 600 HO E-TEC (EUROPE)

Drive Pulley

	SEA LEVEL 0 M (0 FT)	600 M (2000 FT)	1200 M (4000 FT)	1800 M (6000 FT)	2400 M (8000 FT)	3000 M (10000 FT)
Spring	Blue/Green (P/N 414 817 700)					
Ramp	412 (P/N 417 222 515)			417 (P/N 417 222 552)		
Calibration Screw Position	3	4	5	2	3	4
Pin	Short solid 32 mm/16,75 g (P/N 417 004 308)			Short threaded 32 mm/10,88 g (P/N 417 222 477)		
Engagement RPM \pm 100	3400			3800		
Maximum RPM \pm 100	8100					

Driven Pulley

	SEA LEVEL 0 M (0 FT)	600 M (2000 FT)	1200 M (4000 FT)	1800 M (6000 FT)	2400 M (8000 FT)	3000 M (10000 FT)
Spring	Black (P/N 417 127 039)					
Spring tension Kg \pm 0.7 (lb \pm 1.5)	N/A					
Cam angle (degrees)	41° - 45° (P/N 417 127 105)					

Vehicle Calibration

	SEA LEVEL 0 M (0 FT)	600 M (2000 FT)	1200 M (4000 FT)	1800 M (6000 FT)	2400 M (8000 FT)	3000 M (10000 FT)
Stopper Strap	3					
Rear suspension extension	Locked			Free		

SUMMIT SP 146" AND 154" 600 HO E-TEC (CAN/USA)

Drive Pulley

	SEA LEVEL 0 M (0 FT)	600 M (2000 FT)	1200 M (4000 FT)	1800 M (6000 FT)	2400 M (8000 FT)	3000 M (10000 FT)
Spring	Blue/Green (P/N 414 817 700)		Purple/Green (P/N 415 015 400)			
Ramp	412 (P/N 417 222 515)		440 (P/N 417 223 096)			
Calibration Screw Position	3	4	3	3	4	5
Pin	Short solid 32 mm/16,75 g (P/N 417 004 308)		Short threaded 32 mm/10,88 g (P/N 417 222 477) 1 x set screw/16 mm (P/N 206 261 699)	Short threaded 32 mm/10,88 g (P/N 417 222 477)		
Engagement RPM \pm 100	3300		4000			
Maximum RPM \pm 100	8100					

Driven Pulley

	SEA LEVEL 0 M (0 FT)	600 M (2000 FT)	1200 M (4000 FT)	1800 M (6000 FT)	2400 M (8000 FT)	3000 M (10000 FT)
Spring	Black (P/N 417 127 039)					
Spring tension Kg \pm 0.7 (lb \pm 1.5)	N/A					
Cam angle (degrees)	41° - 45° (P/N 417 127 105)					

Vehicle Calibration

	SEA LEVEL 0 M (0 FT)	600 M (2000 FT)	1200 M (4000 FT)	1800 M (6000 FT)	2400 M (8000 FT)	3000 M (10000 FT)
Stopper Strap		4		3		2

SUMMIT SP 146" 600 HO E-TEC (EUROPE)

Drive Pulley

	SEA LEVEL 0 M (0 FT)	600 M (2000 FT)	1200 M (4000 FT)	1800 M (6000 FT)	2400 M (8000 FT)	3000 M (10000 FT)
Spring	Blue/Green (P/N 414 817 700)		Purple/Green (P/N 415 015 400)			
Ramp	412 (P/N 417 222 515)		440 (P/N 417 223 096)			
Calibration Screw Position	3	4	2	3	4	5
Pin	Short solid 32 mm/16,75 g (P/N 417 004 308)		Short threaded 32 mm/10,88 g (P/N 417 222 477)			
Engagement RPM \pm 100	3300		4000			
Maximum RPM \pm 100	8100					

Driven Pulley

	SEA LEVEL 0 M (0 FT)	600 M (2000 FT)	1200 M (4000 FT)	1800 M (6000 FT)	2400 M (8000 FT)	3000 M (10000 FT)
Spring	Black (P/N 417 127 039)					
Spring tension Kg \pm 0.7 (lb \pm 1.5)	N/A					
Cam angle (degrees)	41° - 45° (P/N 417 127 105)					

Vehicle Calibration

	SEA LEVEL 0 M (0 FT)	600 M (2000 FT)	1200 M (4000 FT)	1800 M (6000 FT)	2400 M (8000 FT)	3000 M (10000 FT)
Stopper Strap		4		3		2

SUMMIT SPORT 154" 800R POWER TEK™

Drive Pulley

	SEA LEVEL 0 M (0 FT)	600 M (2000 FT)	1200 M (4000 FT)	1800 M (6000 FT)	2400 M (8000 FT)	3000 M (10000 FT)
Spring	Blue/Purple (P/N 414 817 800)		Green/Purple (P/N 414 762 800)			
Ramp	413 (P/N 417 222 508)		441 (P/N 417 223 098)			
Calibration Screw Position	3	4	1	2	3	4
Pin	Long solid 35,75 mm/18,8 g (P/N 417 222 594)		Long threaded 35,75 mm/12,4 g (P/N 417 222 595) 1 set screw/12 mm (P/N 206 261 299)		Short threaded 32 mm/10,88 g (P/N 417 222 477)	
Engagement RPM ± 100	3000		3800			
Maximum RPM ± 100	8150					

Sea Level Calibration Kit

MODEL	PART NUMBER
SUMMIT SPORT 154" 800R Power TEK	860 200 394

Driven Pulley

	SEA LEVEL 0 M (0 FT)	600 M (2000 FT)	1200 M (4000 FT)	1800 M (6000 FT)	2400 M (8000 FT)	3000 M (10000 FT)
Spring	Purple (P/N 417 127 062)					
Spring tension Kg ± 0.7 (lb ± 1.5)	N/A					
Cam angle (degrees)	43° - 47° (P/N 417 127 133)					

Carburation

NOTICE These adjustments are guidelines only. Specific adjustments vary with temperature, altitude and snow condition. Always observe spark plug condition for proper jetting.

		SEA LEVEL 0 M (0 FT)	600 M (2000 FT)	1200 M (4000 FT)	1800 M (6000 FT)	2400 M (8000 FT)	3000 M (10000 FT)	
Main jet	MAG	480						1
	PTO	480						1
Jet needle		9EGI04-58						2
Needle position		N/A						—
Slide cut-away		2.0						2
Pilot jet		17,5						2
Mixture screw		1.5						—
Valve seat		1.5						2
Needle jet		P-0M						2
Float level (± 1 mm)		N/A						—
Idle RPM (± 200)		1900						—
Idle throttle valve position (± 0.1 mm)		1.6			1.8		2	—

Main Jet Chart

		SEA LEVEL 0 M (0 FT)	600 M (2000 FT)	1200 M (4000 FT)	1800 M (6000 FT)	2400 M (8000 FT)	3000 M (10000 FT)
-40°C (-40°F)	MAG	520 N					
	PTO	520 N					
-30°C (-22°F)	MAG	500					
	PTO	500					
-20°C (-4°F)	MAG	480					
	PTO						
-10°C (14°F)	MAG						
	PTO						
0°C (32°F)	MAG						
	PTO						
10°C (50°F)	MAG						
	PTO						
20°C (68°F)	MAG						
	PTO						

Vehicle Calibration

	SEA LEVEL 0 M (0 FT)	600 M (2000 FT)	1200 M (4000 FT)	1800 M (6000 FT)	2400 M (8000 FT)	3000 M (10000 FT)
Stopper Strap		4		3		2

FREERIDE™ 137" 800R E-TEC

(Track with profile of 44.5 mm (1-3/4 in))

Drive Pulley

	SEA LEVEL 0 M (0 FT)	600 M (2000 FT)	1200 M (4000 FT)	1800 M (6000 FT)	2400 M (8000 FT)	3000 M (10000 FT)
Spring	Purple/Blue (P/N 415 034 900)		Purple/Pink (P/N 414 949 500)			
Ramp	413 (P/N 417 222 508)		441 (P/N 417 223 098)			
Calibration Screw Position	3	4	3	4	5	6
Pin	Long solid 35.75 mm/18,8 g (P/N 417 222 594)		Long threaded 35,75 mm/12,4 g (P/N 417 222 595) 1 set screw/12 mm (P/N 206 261 299)			
Engagement RPM ± 100	3800		3900	4000		4100
Maximum RPM ± 100	7900					

Driven Pulley

	SEA LEVEL 0 M (0 FT)	600 M (2000 FT)	1200 M (4000 FT)	1800 M (6000 FT)	2400 M (8000 FT)	3000 M (10000 FT)
Spring	Green (P/N 417 127 137)		Blue (P/N 417 127 118)			
Spring tension Kg ± 0.7 (lb ± 1.5)	N/A					
Cam angle (degrees)	44° - 42° (P/N 417 126 973)		40° (P/N 417 126 956)			

Vehicle Calibration

	SEA LEVEL 0 M (0 FT)	600 M (2000 FT)	1200 M (4000 FT)	1800 M (6000 FT)	2400 M (8000 FT)	3000 M (10000 FT)
Stopper Strap		4		3		2

FREERIDE 137" 800R E-TEC

(Track with profile of 57 mm (2-1/4 in))

Drive Pulley

	SEA LEVEL 0 M (0 FT)	600 M (2000 FT)	1200 M (4000 FT)	1800 M (6000 FT)	2400 M (8000 FT)	3000 M (10000 FT)
Spring	Purple/Blue (P/N 415 034 900)		Purple/Pink (P/N 414 949 500)			
Ramp	413 (P/N 417 222 508)		441 (P/N 417 223 098)			
Calibration Screw Position	3	4	3	4	5	6
Pin	Long solid 35.75 mm/18,8 g (P/N 417 222 594)		Long threaded 35,75 mm/12,4 g (P/N 417 222 595) 1 set screw/12 mm (P/N 206 261 299)			
Engagement RPM \pm 100	3800		3900	4000		4100
Maximum RPM \pm 100	7900					

Driven Pulley

	SEA LEVEL 0 M (0 FT)	600 M (2000 FT)	1200 M (4000 FT)	1800 M (6000 FT)	2400 M (8000 FT)	3000 M (10000 FT)
Spring	Blue (P/N 417 127 118)					
Spring tension Kg \pm 0.7 (lb \pm 1.5)	N/A					
Cam angle (degrees)	40° (P/N 417 126 956)					

Vehicle Calibration

	SEA LEVEL 0 M (0 FT)	600 M (2000 FT)	1200 M (4000 FT)	1800 M (6000 FT)	2400 M (8000 FT)	3000 M (10000 FT)
Stopper Strap		4		3		2

**FREERIDE 146" AND 154" 800R E-TEC SEA-LEVEL /
SUMMIT X 146", 154" AND
163" 800R E-TEC SEA-LEVEL
(Track with profile of 63.5 mm (2-1/2 in)) /
SUMMIT SP 154" AND 163"
800R E-TEC SEA-LEVEL (EUROPE)
(Track with profile of 63.5 mm (2-1/2 in))**

Drive Pulley

	SEA LEVEL 0 M (0 FT)	600 M (2000 FT)	1200 M (4000 FT)	1800 M (6000 FT)	2400 M (8000 FT)	3000 M (10000 FT)
Spring	Yellow/Green 414 742 100		Purple/Pink (P/N 414 949 500)			
Ramp	413 (P/N 417 222 508)		441 (P/N 417 223 098)			
Calibration Screw Position	2	3	2	3	4	5
Pin	Long solid 35.75 mm/18,8 g (P/N 417 222 594)		Long threaded 35,75 mm/12,4 g (P/N 417 222 595) 1 set screw/16 mm (P/N 206 261 699)		Long threaded 35,75 mm/12,4 g (P/N 417 222 595)	
Engagement RPM ± 100	3000		3800			
Maximum RPM ± 100	7900					

Driven Pulley

	SEA LEVEL 0 M (0 FT)	600 M (2000 FT)	1200 M (4000 FT)	1800 M (6000 FT)	2400 M (8000 FT)	3000 M (10000 FT)
Spring	Blue (P/N 417 127 118)					
Spring tension Kg ± 0.7 (lb ± 1.5)	N/A					
Cam angle (degrees)	40° (P/N 417 126 956)					

Vehicle Calibration

	SEA LEVEL 0 M (0 FT)	600 M (2000 FT)	1200 M (4000 FT)	1800 M (6000 FT)	2400 M (8000 FT)	3000 M (10000 FT)
Stopper Strap		4		3		2

Chaincase Gears

146" MODELS (EXCEPT FREERIDE CAN/US)						
	Sea level 0 M (0 FT)	600 M (2000 FT)	1200 M (4000 FT)	1800 M (6000 FT)	2400 M (8000 FT)	3000 M (10000 FT)
Upper gear	21 (P/N 504 096 200)		19 (P/N 504 152 030)			
Lower gear	49 (P/N 504 152 581)					
Chain	106 (P/N 504 152 630)			104 (P/N 504 152 629)		

146" MODELS (FREERIDE CAN/US)						
	Sea level 0 M (0 FT)	600 M (2000 FT)	1200 M (4000 FT)	1800 M (6000 FT)	2400 M (8000 FT)	3000 M (10000 FT)
Upper gear	23 (P/N 504 091 000)		21 (P/N 504 096 200)			
Lower gear	51 (P/N 504 152 971)					
Chain	108 (P/N 504 152 631)			106 (P/N 504 152 630)		

154" MODELS						
	Sea level 0 M (0 FT)	600 M (2000 FT)	1200 M (4000 FT)	1800 M (6000 FT)	2400 M (8000 FT)	3000 M (10000 FT)
Upper gear	21 (P/N 504 096 200)		19 (P/N 504 152 030)			
Lower gear	49 (P/N 504 152 581)					
Chain	106 (P/N 504 152 630)			104 (P/N 504 152 629)		

163" MODELS (EUROPE)						
	Sea level 0 M (0 FT)	600 M (2000 FT)	1200 M (4000 FT)	1800 M (6000 FT)	2400 M (8000 FT)	3000 M FT
Upper gear	19 (P/N 504 152 030)					
Lower gear	51 (P/N 504 152 971)					
Chain	106 (P/N 504 152 630)					

163" MODELS (CAN/US)						
	Sea level 0 M (0 FT)	600 M (2000 FT)	1200 M (4000 FT)	1800 M (6000 FT)	2400 M (8000 FT)	3000 M FT
Upper gear	21 (P/N 504 096 200)					
Lower gear	51 (P/N 504 152 971)					
Chain	106 (P/N 504 152 630)					

**FREERIDE 146" AND 154"
800R E-TEC HIGH ALTITUDE /
SUMMIT SP 146", 154" AND
163" 800R E-TEC HIGH ALTITUDE
(Track with profile of 63.5 mm (2-1/2 in)) /
SUMMIT X 146" 800R E-TEC HIGH ALTITUDE
(Track with profile of 63.5 mm (2-1/2 in)) /
SUMMIT X 154" AND 163"
800R E-TEC HIGH ALTITUDE
(Track with profile of 63.5 mm (2-1/2 in))**

Drive Pulley

	SEA LEVEL 0 M (0 FT)	600 M (2000 FT)	1200 M (4000 FT)	1800 M (6000 FT)	2400 M (8000 FT)	3000 M (10000 FT)
Spring	Yellow/green (P/N 414 742 100)		Purple/Pink (P/N 414 949 500)			
Ramp	413 (P/N 417 222 508)		441 (P/N 417 223 098)			
Calibration Screw Position	3	4	3	4	5	6
Pin	Long solid 35.75 mm/18,8 g (P/N 417 222 594)		Long threaded 35,75 mm/12,4 g (P/N 417 222 595) 1 set screw/16 mm (P/N 206 261 699)	Long threaded 35,75 mm/12,4 g (P/N 417 222 595)		
Engagement RPM ± 100	3000		3800			
Maximum RPM ± 100	7900					

Driven Pulley

	SEA LEVEL 0 M (0 FT)	600 M (2000 FT)	1200 M (4000 FT)	1800 M (6000 FT)	2400 M (8000 FT)	3000 M (10000 FT)
Spring	Blue (P/N 417 127 118)					
Spring tension Kg ± 0.7 (lb ± 1.5)	N/A					
Cam angle (degrees)	40° (P/N 417 126 956)					

Vehicle Calibration

	SEA LEVEL 0 M (0 FT)	600 M (2000 FT)	1200 M (4000 FT)	1800 M (6000 FT)	2400 M (8000 FT)	3000 M (10000 FT)
Stopper Strap		4		3		2

Chaincase Gears

146" MODELS						
	SEA LEVEL 0 M (0 FT)	600 M (2000 FT)	1200 M (4000 FT)	1800 M (6000 FT)	2400 M (8000 FT)	3000 M (10000 FT)
Upper gear	21 (P/N 504 096 200)					
Lower gear	49 (P/N 504 152 581)					
Chain	106 (P/N 504 152 630)					

154" MODELS						
	SEA LEVEL 0 M (0 FT)	600 M (2000 FT)	1200 M (4000 FT)	1800 M (6000 FT)	2400 M (8000 FT)	3000 M FT
Upper gear	21 (P/N 504 096 200)	19 (P/N 504 152 030)				
Lower gear	49 (P/N 504 152 581)					
Chain	106 (P/N 504 152 630)	104 (P/N 504 152 629)				

163" MODELS						
	SEA LEVEL 0 M (0 FT)	600 M (2000 FT)	1200 M (4000 FT)	1800 M (6000 FT)	2400 M (8000 FT)	3000 M (10000 FT)
Upper gear	21 (P/N 504 096 200)	19 (P/N 504 152 030)				
Lower gear	51 (P/N 504 152 971)					
Chain	106 (P/N 504 152 630)					

Sea Level Calibration Kit

MODEL	PART NUMBER
146"	860 201 118
154"	860 201 119
163"	860 201 120

Summit 800R E-TEC Theoretical Speed (Excluding European Models)

MODEL	UPPER GEAR	LOWER GEAR	CHAIN	THEORETICAL SPEED (KM/H / MPH)
Summit, Freeride 146*	21	49	106	131 km/h (81 MPH)
Summit, Freeride 146***	23	49	106	144 km/h (89 MPH)
Summit, Freeride 154*	19	49	104	119 km/h (74 MPH)
Summit, Freeride 154**	21	49	106	131 km/h (81 MPH)
Summit, Freeride 154***	23	49	106	144 km/h (89 MPH)
Summit 163*	19	51	106	114 km/h (71 MPH)
Summit 163**	21	51	106	126 km/h (78 MPH)
Summit 163***	23	51	108	138 km/h (86 MPH)

Summit 800R E-TEC Sea-Level Gear Ratio Recommendation (Excluding European Models)

TRACK LENGTH	GEAR RATIO	RECOMMENDATION	PRO'S	CON'S
146"	21/49*	Deep snow / Best all around gear ratio	Better belt life / Better deep snow performance	Max Speed 131 km/h
146"	23/49***	Trail / Lake	Higher maximum speed	Performance and Belt life Reduced in deep snow condition
154"	19/49*	For Extreme deep snow condition only	Increase performance and belt life in extreme deep and heavy snow condition	119 km/h max speed. Rev limiter can often turn on.
154"	21/49**	Deep snow / Best all around gear ratio	Better belt life in all around condition	131 km/h max speed
154"	23/49	Trail / Lake	Higher maximum speed	Performance and Belt life Reduced in deep snow condition
163"	19/49*	For Extreme deep snow condition only	Increase performance and belt life in extreme deep and heavy snow condition	114 km/h max speed. Rev limiter can often turn on.
163"	21/49**	Deep snow / Best all around gear ratio	Better belt life in all around condition	131 km/h max speed
163"	23/49	Trail / Lake	Higher maximum speed	Performance and Belt life Reduced in deep snow condition

* Factory Installed

** Included in Sea-Level calibration kit

*** Optional calibration

SUMMIT X 163" AND 174" 800R E-TEC WITH T3 PACKAGE (Track with profile of 76.2 mm (3 in))

Drive Pulley

	SEA LEVEL 0 M (0 FT)	600 M (2000 FT)	1200 M (4000 FT)	1800 M (6000 FT)	2400 M (8000 FT)	3000 M (10000 FT)
Spring	Yellow/green (P/N 414 742 100)		Purple/Pink (P/N 414 949 500)			
Ramp	413 (P/N 417 222 508)		438 (P/N 417 223 049)			
Calibration Screw Position	3	4	3	4	5	6
Pin	Long solid 35.75 mm/18,8 g (P/N 417 222 594)		Long threaded 35,75 mm/12,4 g (P/N 417 222 595) 1 set screw/16 mm (P/N 206 261 699)	Long threaded 35,75 mm/12,4 g (P/N 417 222 595)		
Engagement RPM ± 100	3000		3800			
Maximum RPM ± 100	7900					

Driven Pulley

	SEA LEVEL 0 M (0 FT)	600 M (2000 FT)	1200 M (4000 FT)	1800 M (6000 FT)	2400 M (8000 FT)	3000 M (10000 FT)
Spring	Blue (P/N 417 127 118)					
Spring tension Kg ± 0.7 (lb ± 1.5)	N/A					
Cam angle (degrees)	40° (P/N 417 127 386)					

Vehicle Calibration

	SEA LEVEL 0 M (0 FT)	600 M (2000 FT)	1200 M (4000 FT)	1800 M (6000 FT)	2400 M (8000 FT)	3000 M (10000 FT)
Stopper Strap		4		3		2

Chaincase Gears

163" T3 MODEL						
SEA LEVEL 0 M (0 FT)	600 M (2000 FT)	1200 M (4000 FT)	1800 M (6000 FT)	2400 M (8000 FT)	3000 M (10000 FT)	
Upper gear	23 (P/N 504 091 000)		21 (P/N 504 096 200)			
Lower gear	51 (P/N 504 153 227)					
Chain	112 (P/N 504 153 268)					

174" T3 MODEL						
SEA LEVEL 0 M (0 FT)	600 M (2000 FT)	1200 M (4000 FT)	1800 M (6000 FT)	2400 M (8000 FT)	3000 M (10000 FT)	
Upper gear	21 (P/N 504 096 200)		19 (P/N 504 152 030)			
Lower gear	49 (P/N 504 153 267)					
Chain	110 (P/N 504 153 266)					

Sea Level Calibration Kit

MODEL	PART NUMBER
163" T3	860 201 194
174" T3	860 201 120

Summit 800R E-TEC Theoretical Speed (Excluding European Models)

NOTE: Summit X with T3 package are equipped with 7 tooth sprocket instead of 8 tooth sprocket like none T3 Summit. Theoretical speed and gear ratio recommendation for Summit X with T3 package will differ from a Summit without T3 package, with same gear ratio.

MODEL	UPPER GEAR	LOWER GEAR	CHAIN	THEORETICAL SPEED (KM/H / MPH)
Summit X 163 T3*	21	51	112	123 km/h (76 MPH)
Summit X 163 T3**	23	51	112	134 km/h (83 MPH)
Summit X 174 T3*	19	49	110	116 km/h (72 MPH)
Summit X 174 T3**	21	49	110	127 km/h (79 MPH)

Summit 800R E-TEC Sea-Level Gear Ratio Recommendation (Excluding European Models)

NOTE: Summit X with T3 package are equipped with 7 tooth sprocket instead of 8 tooth sprocket like none T3 Summit. Theoretical speed and gear ratio recommendation for Summit X with T3 package may differ from a Summit without T3 package, with same gear ratio.

TRACK LENGTH	GEAR RATIO	RECOMMENDATION	PRO'S	CON'S
163" T3	21/51*	Deep snow / Best all around gear ratio	Better belt life in all around condition	123 km/h max speed. Rev limiter can turn on

TRACK LENGTH	GEAR RATIO	RECOMMENDATION	PRO'S	CON'S
163" T3	23/51**	Trail / Lake	Higher maximum speed	Performance and belt life reduced in deep snow condition
174" T3	19/49*	For extreme deep snow condition only	Increase performance and belt life in extreme deep and heavy snow condition	116 Km/h max speed. Rev limiter can often turn on
174" T3	21/49**	Deep snow / Best all around gear ratio	Better belt life in all around condition	127 Km/h max speed

* Factory Installed

** Included in Sea-Level calibration kit

*** Optional calibration

GSX SE 800R E-TEC

Drive Pulley

	SEA LEVEL 0 M (0 FT)	600 M (2000 FT)	1200 M (4000 FT)	1800 M (6000 FT)	2400 M (8000 FT)	3000 M (10000 FT)
Spring	Yellow/Green (P/N 414 742 100)		Yellow/Blue (P/N 414 818 000)			
Ramp	414 (P/N 417 222 546)					
Calibration Screw Position	3	4	2	3	4	5
Pin	Long solid 35.75 mm/18,8 g (P/N 417 222 594)		Long threaded 35,75 mm/12,4 g (P/N 417 222 595) 1 set screw / 20 mm (P/N 206 262 099)			
Engagement RPM \pm 100	3800					
Maximum RPM \pm 100	7900					

Driven Pulley

	SEA LEVEL 0 M (0 FT)	600 M (2000 FT)	1200 M (4000 FT)	1800 M (6000 FT)	2400 M (8000 FT)	3000 M (10000 FT)
Spring	Green (P/N 417 127 137)		Purple (P/N 417 127 062)			
Spring tension Kg \pm 0.7 (lb \pm 1.5)	N/A					
Cam angle (degrees)	50°-44° (P/N 417 127 111)					

MX Z TNT 800R E-TEC /
MX Z X 800R E-TEC /
MX Z X-RS 800R E-TEC /
►MX Z X-RS IRON DOG 800R
E-TEC◀

Drive Pulley

	SEA LEVEL 0 M (0 FT)	600 M (2000 FT)	1200 M (4000 FT)	1800 M (6000 FT)	2400 M (8000 FT)	3000 M (10000 FT)
Spring	Blue/Green (P/N 414 817 700)		Purple/Yellow (P/N 415 015 300)			
Ramp	414 (P/N 417 222 546)					
Calibration Screw Position	3	4	2	3	4	5
Pin	Long solid 35.75 mm/18.8 g (P/N 417 222 594)		Long threaded 35.75 mm/12.4 g (P/N 417 222 595) 1 x set screw 12 mm (P/N 206 261 299)			
Engagement RPM ± 100	3800					
Maximum RPM ± 100	7900					

Driven Pulley

	SEA LEVEL 0 M (0 FT)	600 M (2000 FT)	1200 M (4000 FT)	1800 M (6000 FT)	2400 M (8000 FT)	3000 M (10000 FT)
Spring	Green (P/N 417 127 137)		Purple (P/N 417 127 062)			
Spring tension Kg ± 0.7 (lb ± 1.5)	N/A					
Cam angle (degrees)	47° - 44° (P/N 417 127 109)		44° (P/N 417 127 011)			

**RENEGADE ADRENALINE 800R E-TEC /
 RENEGADE X 800R E-TEC /
 RENEGADE X-RS 800R E-TEC (CAN / USA)
 (Track with profile of 31.8 mm and 38.1 mm
 (1-1/4 in and 1-1/2 in))**

Drive Pulley

	SEA LEVEL 0 M (0 FT)	600 M (2000 FT)	1200 M (4000 FT)	1800 M (6000 FT)	2400 M (8000 FT)	3000 M (10000 FT)
Spring	Blue/Green (P/N 414 817 700)		Blue/Purple (P/N 414 817 800)			
Ramp	414 (P/N 417 222 546)					
Calibration Screw Position	3	4	2	3	4	5
Pin	Long solid 35.75 mm/18.8 g (P/N 417 222 594)		Long threaded 35.75 mm/12.4 g (P/N 417 222 595) 1 set screw/12 mm (P/N 206 261 299)			
Engagement RPM ± 100	3800		3900	4000		4100
Maximum RPM ± 100	7900					

Driven Pulley

	SEA LEVEL 0 M (0 FT)	600 M (2000 FT)	1200 M (4000 FT)	1800 M (6000 FT)	2400 M (8000 FT)	3000 M (10000 FT)
Spring	Green (P/N 417 127 137)					
Spring tension Kg ± 0.7 (lb ± 1.5)	N/A					
Cam angle (degrees)	44° - 42° (P/N 417 126 973)					

**RENEGADE BACKCOUNTRY 800R E-TEC /
RENEGADE BACKCOUNTRY X 800R E-TEC /
RENEGADE X-RS 800R E-TEC (EUROPE)
(Track with profile of 44.5 mm (1-3/4 in))**

Drive Pulley

	SEA LEVEL 0 M (0 FT)	600 M (2000 FT)	1200 M (4000 FT)	1800 M (6000 FT)	2400 M (8000 FT)	3000 M (10000 FT)
Spring	Purple/Blue (P/N 415 034 900)		Purple/Pink (P/N 414 949 500)			
Ramp	413 (P/N 417 222 508)		441 (P/N 417 223 098)			
Calibration Screw Position	3	4	3	4	5	6
Pin	Long solid 35.75 mm/18.8 g (P/N 417 222 594)		Long threaded 35.75 mm/12.4 g (P/N 417 222 595) 1 set screw/12 mm (P/N 206 261 299)			
Engagement RPM ± 100	3800		3900	4000		4100
Maximum RPM ± 100	7900					

Driven Pulley

	SEA LEVEL 0 M (0 FT)	600 M (2000 FT)	1200 M (4000 FT)	1800 M (6000 FT)	2400 M (8000 FT)	3000 M (10000 FT)
Spring	Green (P/N 417 127 137)					
Spring tension Kg ± 0.7 (lb ± 1.5)	N/A					
Cam angle (degrees)	44° - 42° (P/N 417 126 973)					

TUNDRA SPORT 600 ACE / TUNDRA LT 600 ACE / EXPEDITION SPORT 600 ACE / RENEGADE SPORT 600 ACE

Drive Pulley

	SEA LEVEL 0 M (0 FT)	600 M (2000 FT)	1200 M (4000 FT)	1800 M (6000 FT)	2400 M (8000 FT)	3000 M (10000 FT)
Spring	Red/White (P/N 417 223 747)	Red/Red (P/N 417 223 745)	Red/Yellow (P/N 417 223 748)	Red/White (P/N 417 223 747)		Red/Red (P/N 417 223 745)
Ramp	716 (P/N 417 223 450)			725 (P/N 417 223 601)		
Ramp quantity	6					
Engagement RPM \pm 100	2200					
Maximum RPM \pm 100	7250					

Driven Pulley

	SEA LEVEL 0 M (0 FT)	600 M (2000 FT)	1200 M (4000 FT)	1800 M (6000 FT)	2400 M (8000 FT)	3000 M (10000 FT)
Spring	Pink 3 (P/N 417 127 344)					
Spring tension Kg \pm 0.7 (lb \pm 1.5)	6.4 kgf (14.1 lbf)					
Cam angle (degrees)	41°-45° (P/N 417 127 235)					

GRAND TOURING SPORT 600 ACE / MX Z SPORT 600 ACE

Drive Pulley

	SEA LEVEL 0 M (0 FT)	600 M (2000 FT)	1200 M (4000 FT)	1800 M (6000 FT)	2400 M (8000 FT)	3000 M (10000 FT)
Spring	80 - 150 Red/Red (P/N 417 223 745)	Red/Yellow (P/N 417 223 748)	Red/Orange (P/N 417 223 749)	Red/White (P/N 417 223 747)		Red/Red (P/N 417 223 745)
Ramp	715 (P/N 417 223 452)		725 (P/N 417 223 601)			
Ramp quantity	6					
Engagement RPM \pm 100	2200					
Maximum RPM \pm 100	7250					

Driven Pulley

	SEA LEVEL 0 M (0 FT)	600 M (2000 FT)	1200 M (4000 FT)	1800 M (6000 FT)	2400 M (8000 FT)	3000 M (10000 FT)
Spring	Pink 3 (P/N 417 127 344)					
Spring tension Kg \pm 0.7 (lb \pm 1.5)	6.4 kgf (14.1 lbf)					
Cam angle (degrees)	41°-45° (P/N 417 127 235)					

SKANDIC WT 600 ACE

Drive Pulley

	SEA LEVEL 0 M (0 FT)	600 M (2000 FT)	1200 M (4000 FT)	1800 M (6000 FT)	2400 M (8000 FT)	3000 M (10000 FT)
Spring	Red/White (P/N 417 223 314)	Red/Red (P/N 417 223 186)	Red/White (P/N 417 223 314)	Red/Red (P/N 417 223 186)	Red/Yellow (P/N 417 223 315)	Red/Orange (P/N 417 223 316)
Ramp	716 (P/N 417 223 450)		725 (P/N 417 223 601)			
Ramp quantity	6					
Engagement RPM \pm 100	2200					
Maximum RPM \pm 100	7250					

Driven Pulley

	SEA LEVEL 0 M (0 FT)	600 M (2000 FT)	1200 M (4000 FT)	1800 M (6000 FT)	2400 M (8000 FT)	3000 M (10000 FT)
Spring	Pink 3 (P/N 417 127 344)					
Spring tension Kg \pm 0.7 (lb \pm 1.5)	6.4 kgf (14.1 lbf)					
Cam angle (degrees)	37°-45° (P/N 417 127 240)					

**GSX LE 1200 4-TEC /
 GSX SE 1200 4-TEC /
 GRAND TOURING LE 1200 4-TEC /
 GRAND TOURING SE 1200 4-TEC /
 MX Z TNT 1200 4-TEC /
 MX Z X 1200 4-TEC /
 RENEGADE ADRENALINE 1200 4-TEC /
 RENEGADE X 1200 4-TEC**

Drive Pulley

	SEA LEVEL 0 M (0 FT)	600 M (2000 FT)	1200 M (4000 FT)	1800 M (6000 FT)	2400 M (8000 FT)	3000 M (10000 FT)
Spring		Yellow/Orange (P/N 417 223 746)	Red/White (P/N 417 223 747)	Yellow/Red (P/N 417 223 751)		Yellow/Orange (P/N 417 223 746)
Ramp		735 (P/N 417 223 679)		739 (P/N 417 223 828)		
Engagement RPM ± 100	2200					
Maximum RPM ± 100	7900					

Driven Pulley

	SEA LEVEL 0 M (0 FT)	600 M (2000 FT)	1200 M (4000 FT)	1800 M (6000 FT)	2400 M (8000 FT)	3000 M (10000 FT)
Spring		Red/Red (P/N 417 127 467)				
Spring tension Kg ± 0.7 (lb ± 1.5)		7 kg (15.4 lb)				
Cam angle (degrees)		44° - 40° (P/N 417 127 476)				

EXPEDITION SE 1200 4-TEC

Drive Pulley

	SEA LEVEL 0 M (0 FT)	600 M (2000 FT)	1200 M (4000 FT)	1800 M (6000 FT)	2400 M (8000 FT)	3000 M (10000 FT)
Spring		Yellow/Red (P/N 417 223 751)	Red/White (P/N 417 223 747)	Yellow/Red (P/N 417 223 751)	Yellow/Red (P/N 417 223 751)	Yellow/Orange (P/N 417 223 746)
Ramp		735 (P/N 417 223 679)	739 (P/N 417 223 828)			
Engagement RPM \pm 100	2200					
Maximum RPM \pm 100	7900					

Driven Pulley

	SEA LEVEL 0 M (0 FT)	600 M (2000 FT)	1200 M (4000 FT)	1800 M (6000 FT)	2400 M (8000 FT)	3000 M (10000 FT)
Spring		Pink 4 (P/N 417 127 421)				
Spring tension Kg \pm 0.7 (lb \pm 1.5)		7 kg (15.4 lb)				
Cam angle (degrees)		44° - 40 (P/N 417 127 424)				

**EXPEDITION SPORT 900 ACE /
 GRAND TOURING LE 900 ACE /
 MX Z TNT 900 ACE /
 RENEGADE ADRENALINE 900
 ACE**

Drive Pulley

	SEA LEVEL 0 M (0 FT)	600 M (2000 FT)	1200 M (4000 FT)	1800 M (6000 FT)	2400 M (8000 FT)	3000 M (10000 FT)
Spring		Yellow/Red (P/N 417 223 751)	Yellow/Orange (P/N 417 223 746)	Yellow/Red (P/N 417 223 751)	Yellow/Orange (P/N 417 223 746)	Yellow/Orange (P/N 417 223 746)
Ramp		735 (P/N 417 223 679)	742 (P/N 417 223 918)			
Engagement RPM \pm 100	2200					
Maximum RPM \pm 100	7250					

Driven Pulley

	SEA LEVEL 0 M (0 FT)	600 M (2000 FT)	1200 M (4000 FT)	1800 M (6000 FT)	2400 M (8000 FT)	3000 M (10000 FT)
Spring		Red/Red (P/N 417 127 467)				
Spring tension Kg \pm 0.7 (lb \pm 1.5)		7 kg (15.4 lb)				
Cam angle (degrees)		47° - 40° (P/N 417 127 474)				

GSX LE 900 ACE

Drive Pulley

	SEA LEVEL 0 M (0 FT)	600 M (2000 FT)	1200 M (4000 FT)	1800 M (6000 FT)	2400 M (8000 FT)	3000 M (10000 FT)
Spring		Yellow/Red (P/N 417 223 751)	Yellow/Orange (P/N 417 223 746)	Yellow/Red (P/N 417 223 751)	Yellow/Red (P/N 417 223 751)	Yellow/Orange (P/N 417 223 746)
Ramp		740 (P/N 417 223 906)	742 (P/N 417 223 918)			
Engagement RPM \pm 100	2200					
Maximum RPM \pm 100	7250					

Driven Pulley

	SEA LEVEL 0 M (0 FT)	600 M (2000 FT)	1200 M (4000 FT)	1800 M (6000 FT)	2400 M (8000 FT)	3000 M (10000 FT)
Spring	Red/Red (P/N 417 127 467)					
Spring tension Kg \pm 0.7 (lb \pm 1.5)	7 kg (15.4 lb)					
Cam angle (degrees)	47° - 40° (P/N 417 127 474)					

SKANDIC WT/SWT 900 ACE / SKANDIC SWT 900 ACE / EXPEDITION LE 900 ACE / EXPEDITION SE 900 ACE

Drive Pulley

	SEA LEVEL 0 M (0 FT)	600 M (2000 FT)	1200 M (4000 FT)	1800 M (6000 FT)	2400 M (8000 FT)	3000 M (10000 FT)
Spring		Yellow/Red (P/N 417 223 751)	Yellow/Orange (P/N 417 223 746)	Yellow/Red (P/N 417 223 751)	Yellow/Red (P/N 417 223 751)	Yellow/Orange (P/N 417 223 746)
Ramp		740 (P/N 417 223 679)	742 (P/N 417 223 918)			
Engagement RPM \pm 100	2200					
Maximum RPM \pm 100	7250					

Driven Pulley

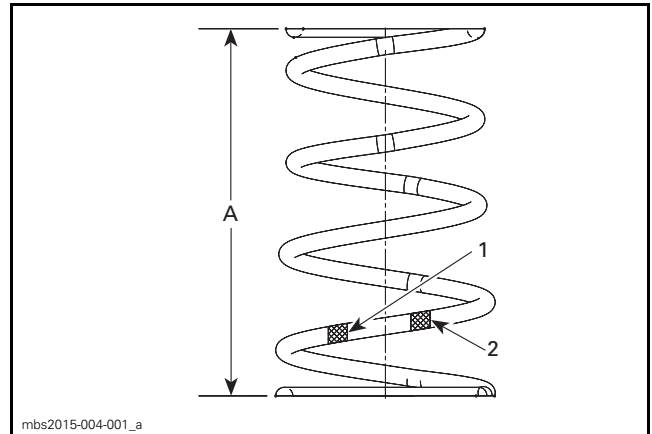
	SEA LEVEL 0 M (0 FT)	600 M (2000 FT)	1200 M (4000 FT)	1800 M (6000 FT)	2400 M (8000 FT)	3000 M (10000 FT)
Spring	Orange/ Orange (P/N 417 127 434)					
Spring tension Kg \pm 0.7 (lb \pm 1.5)	7 kg (15.4 lb)					
Cam angle (degrees)	44° - 40° (P/N 417 127 412)					

OPTIONAL DRIVE PULLEY SPRING RATES AND SPECIFICATIONS

The springs for eDrive™ I and eDrive II pulleys are different.

- eDrive I: cone shaped springs
- eDrive II: straight shaped springs.

The springs for TRA pulleys can not be installed on eDrive II.



TYPICAL - COLOR CODE

1. 1st color
2. 2nd color

eDrive I (550F)

SPRING SPECIFICATIONS							
PART NUMBER	WIRE DIA.	FREE LENGHT	LOAD ± 10% WHEN "A" = 60.6 MM		LOAD ± 10% WHEN "A" = 28 MM		COLOR CODE
	MM		N	LBS	N	LBS	
417 223 186	4.50	96.0	356	80	667	150	Red / Red
417 223 223	4.80	130.0	489	110	845	190	Yellow / Orange
417 223 314	4.30	114.7	356	80	578	130	Red / White
417 223 315	4.80	90.4	356	80	756	170	Red / Yellow
417 223 316	4.95	84.7	356	80	845	190	Red / Orange
417 223 459	5.08	81.7	356	80	934	210	Red / Green
417 223 536	4.30	125	445	100	667	150	Yellow / Red

eDrive II (600 ACE / 900 ACE / 1200 4-TEC)

SPRING SPECIFICATIONS							
PART NUMBER	WIRE DIA.	FREE LENGHT	LOAD ± 10% WHEN "A" = 60.6 MM		LOAD ± 10% WHEN "A" = 28 MM		COLOR CODE
	MM		N	LBS	N	LBS	
417 223 745	4.50	97.9	356	80	667	150	Red / Red
417 223 746	4.50	105.4	489	110	845	190	Yellow / Orange
417 223 747	4.30	108.0	356	80	600	135	Red / White
417 223 748	4.80	87.3	355	80	789	177	Red / Yellow
417 223 749	4.80	84.3	355	80	845	190	Red / Orange
417 223 750	5.0	80.5	355	80	934	210	Red / Green
417 223 751	4.30	120.0	446	100	690	155	Yellow / Red