



# SERVICE BULLETIN

June, 2015

Subject: **High Altitude / Sea Level Specifications**

No. **2016-5**

YEAR	MODEL
2016	All Ski-Doo

## TABLE OF CONTENTS

	Page		Page
<b>GENERAL INFORMATION</b> .....	<b>4</b>	<b>SUMMIT™ SPORT 146" 600</b> .....	<b>15</b>
Previous Model Year Vehicles .....	4	Drive Pulley .....	15
Reverse Connector .....	4	Driven Pulley .....	15
Table Format .....	4	Carburation .....	16
Sea Level Calibration Kit .....	4	Main Jet Chart .....	16
<b>EXPEDITION® SPORT 550F / TUNDRA™</b>		Vehicle Calibration .....	17
<b>SPORT 550F / TUNDRA LT 550F</b> .....	<b>6</b>	<b>EXPEDITION LE 600 HO E-TEC® /</b>	
Drive Pulley .....	6	<b>EXPEDITION SE 600 HO E-TEC</b> .....	<b>18</b>
Driven Pulley .....	6	Drive Pulley .....	18
Carburation .....	7	Driven Pulley .....	18
Main Jet Chart .....	7	<b>SKANDIC WT 600 HO E-TEC / SKANDIC</b>	
Additional Information .....	8	<b>SWT 600 HO E-TEC</b> .....	<b>19</b>
<b>SKANDIC WT 550F</b> .....	<b>9</b>	Drive Pulley .....	19
Drive Pulley .....	9	Driven Pulley .....	19
Driven Pulley .....	9	<b>GRAND TOURING LE 600 HO E-TEC</b> ...	<b>20</b>
Carburation .....	10	Drive Pulley .....	20
Main Jet Chart .....	10	Driven Pulley .....	20
<b>MX Z™ SPORT 600</b> .....	<b>11</b>	<b>MX Z™ TNT 600 HO E-TEC / MX Z</b>	
Drive Pulley .....	11	<b>BLIZZARD™ 600 HO E-TEC / MX Z X™</b>	
Driven Pulley .....	11	<b>600 HO E-TEC / MX Z X-RS™ 600 HO</b>	
Carburation .....	12	<b>E-TEC / RENEGADE™ ADRENALINE™ 600</b>	
Main Jet Chart .....	12	<b>HO E-TEC / RENEGADE ENDURO 600 HO</b>	
<b>RENEGADE™ SPORT 600</b> .....	<b>13</b>	<b>E-TEC / RENEGADE BACKCOUNTRY™</b>	
Drive Pulley .....	13	<b>600 HO E-TEC / RENEGADE X 600 HO</b>	
Driven Pulley .....	13	<b>E-TEC</b> .....	<b>21</b>
Carburation .....	14	Drive Pulley .....	21
Main Jet Chart .....	14	Driven Pulley .....	21
		<b>TUNDRA Xtreme 600 HO E-TEC</b> .....	<b>22</b>
		Drive Pulley .....	22

Driven Pulley .....	22
Vehicle Calibration .....	22

**SUMMIT SP 146" AND 154" 600 HO E-TEC (CAN/USA) ..... 23**

Drive Pulley.....	23
Driven Pulley .....	23
Vehicle Calibration .....	23

**SUMMIT SP 146" AND 154" 600 HO E-TEC (EUROPE) ..... 24**

Drive Pulley.....	24
Driven Pulley .....	24
Vehicle Calibration .....	24

**SUMMIT SPORT 154" 800R POWER TEK™..... 25**

Drive Pulley.....	25
Driven Pulley .....	25
Carburation .....	26
Main Jet Chart .....	26
Vehicle Calibration .....	26

**FREERIDE™ 137" 800R E-TEC (EUROPE) (Track with profile of 57 mm (2-1/4 in)) 27**

Drive Pulley.....	27
Driven Pulley .....	27
Vehicle Calibration .....	27

**FREERIDE 146" AND 154" 800R E-TEC SEA-LEVEL / SUMMIT X 154" 800R E-TEC SEA-LEVEL (Track with profile of 63.5 mm (2-1/2 in)) / SUMMIT BURTON 154" 800R E-TEC SEA-LEVEL (EUROPE) / SUMMIT SP 146", 154" AND 163" 800R E-TEC SEA-LEVEL (EUROPE) (Track with profile of 63.5 mm (2-1/2 in))..... 28**

Drive Pulley.....	28
Driven Pulley .....	28
Vehicle Calibration .....	28
Chaincase Gears.....	29

**SUMMIT X 154", 163" AND 174" 800R E-TEC SEA LEVEL (Track with profile of 76.2 mm (3 in)) ..... 30**

Drive Pulley.....	30
Driven Pulley .....	30
Vehicle Calibration .....	30
Chaincase Gears.....	30

**FREERIDE 146" AND 154" 800R E-TEC HIGH ALTITUDE / SUMMIT BURTON 154" 800R E-TEC (CAN / USA) /SUMMIT SP 146", 154" AND 163" 800R E-TEC HIGH ALTITUDE (Track with profile of 63.5 mm (2-1/2 in)) / SUMMIT X 154" 800R E-TEC HIGH ALTITUDE (Track with profile of 63.5 mm (2-1/2 in)) ..... 32**

Drive Pulley.....	32
Driven Pulley .....	32
Vehicle Calibration .....	32
Chaincase Gears.....	33

**SUMMIT X 154", 163" AND 174" 800R E-TEC HIGH ALTITUDE (Track with profile of 76.2 mm (3 in)) / SUMMIT SP 154", 163" AND 174" 800R E-TEC HIGH ALTITUDE (Track with profile of 76.2 mm (3 in)) ... 35**

Drive Pulley.....	35
Driven Pulley .....	35
Vehicle Calibration .....	35
Chaincase Gears.....	36

**MX Z TNT 800R E-TEC / MX Z BLIZZARD 800R E-TEC / MX Z X 800R E-TEC / MX Z X-RS 800R E-TEC / ..... 38**

Drive Pulley.....	38
Driven Pulley .....	38

**RENEGADE ADRENALINE 800R E-TEC / RENEGADE X 800R E-TEC / RENEGADE ENDURO 800R E-TEC / RENEGADE X-RS 800R E-TEC (CAN / USA) (Track with profile of 38.1 mm and 40.7 mm (1-1/2 in and 1-19/32 in))..... 39**

Drive Pulley.....	39
Driven Pulley .....	39

**FREERIDE 137" 800R E-TEC (Track profile of 44.5 mm (1-3/4 in)) / RENEGADE BACKCOUNTRY 800R E-TEC / RENEGADE BACKCOUNTRY X 800R E-TEC / RENEGADE X-RS 800R E-TEC (EUROPE) (Track with profile of 44.5 mm (1-3/4 in)) ..... 40**

Drive Pulley.....	40
Driven Pulley .....	40

**EXPEDITION EXTREME 800R E-TEC.... 41**

Drive Pulley.....	41
Driven Pulley .....	41

**TUNDRA SPORT 600 ACE / TUNDRA LT 600 ACE / EXPEDITION SPORT 600 ACE / RENEGADE SPORT 600 ACE ..... 42**

Drive Pulley.....	42
Driven Pulley .....	42

**GRAND TOURING SPORT 600 ACE / MX Z SPORT 600 ACE..... 43**

Drive Pulley.....	43
Driven Pulley .....	43

**SKANDIC WT 600 ACE ..... 44**

Drive Pulley.....	44
Driven Pulley .....	44

**GRAND TOURING LE 1200 4-TEC / GRAND  
TOURING SE 1200 4-TEC / MX Z TNT  
1200 4-TEC / MX Z X 1200 4-TEC / MX  
Z BLIZZARD 1200 4-TEC / RENEGADE  
ADRENALINE 1200 4-TEC / RENEGADE X  
1200 4-TEC / RENEGADE ENDURO 1200  
4-TEC..... 45**

Drive Pulley..... 45

Driven Pulley ..... 45

**EXPEDITION LE 1200 4-TEC / EXPEDITION  
SE 1200 4-TEC ..... 46**

Drive Pulley..... 46

Driven Pulley ..... 46

**EXPEDITION SPORT 900 ACE / GRAND  
TOURING LE 900 ACE / MX Z TNT 900 ACE  
/ MX Z BLIZZARD 900 ACE / RENEGADE  
ADRENALINE 900 ACE / RENEGADE  
ENDURO 900 ACE..... 47**

Drive Pulley..... 47

Driven Pulley ..... 47

**SKANDIC WT 900 ACE / SKANDIC SWT  
900 ACE / EXPEDITION LE 900 ACE /  
EXPEDITION SE 900 ACE..... 48**

Drive Pulley..... 48

Driven Pulley ..... 48

**OPTIONAL DRIVE PULLEY SPRING RATES  
AND SPECIFICATIONS ..... 49**

eDrive I (550F) ..... 49

eDrive II (600 ACE / 900 ACE / 1200 4-TEC) 49

# GENERAL INFORMATION

## Previous Model Year Vehicles

This bulletin supplies all the information required to modify current year vehicles for high altitude and/or sea level riding.

MODEL YEAR	LATEST REVISION OF BULLETIN NO.
2016	2016-5
2015	2015-5
2014	2014-4
2013	2013-2
2012	2012-4
2011	2011-6
2010	2010-5
2009	2009-5
2008	2008-6

**NOTE:** Throughout this entire document, shaded areas give factory settings (that could apply through different altitudes) while N/A stands for "not applicable".

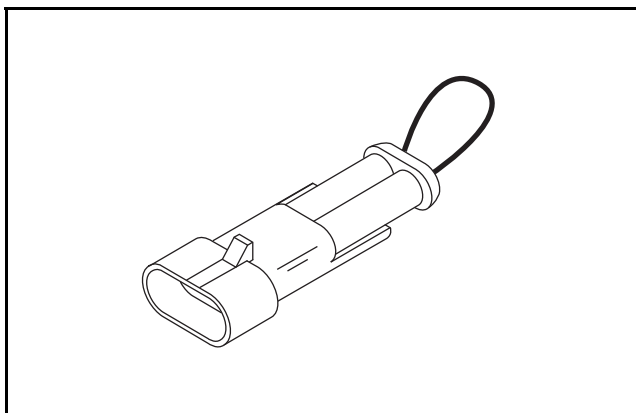
**NOTICE** The following modifications and adjustments apply for high altitude operation as well as sea level operation.

PARTS AND LABOR COST ARE NOT COVERED BY BRP LIMITED WARRANTY.

## Reverse Connector

The reverse connector (P/N 515 174 700) is used at 1 800 m (6,000 ft) altitude and higher for all FAN cooled models with electronic reverse device. To use Reverse Connector proceed as follows:

1. Unplug existing sea level cap from the ECM.
2. Plug-in the reverse connector.



REVERSE CONNECTOR

## Table Format

The shady portions of the table indicate factory settings.

ALTITUDE	
Part to be modified	Recommended Adjustment

## Sea Level Calibration Kit

When the high altitude calibration must be modified to sea level calibration on Freeride™ and Summit™ models (146" and up), the following kits may be used. These kits include all required parts to set-up the vehicle.

MODEL	PART NUMBER
Summit Sport 800 Power TEK	
154"	860 200 394
Freeride and Summit 800R E-TEC	
146"	860 201 418
154"	860 201 419
163"	860 201 420
154" (T3™ Package)	860 201 422
163" (T3 Package)	860 201 421
174" (T3 Package)	860 201 420

## Kit Description

SEA LEVEL CALIBRATION KIT (P/N 860 200 394)		
DESCRIPTION	PART NUMBER	QTY
Ramp 413	417 222 508	3
Long solid Pin 35,75 mm/18,8 g	417 222 594	3
Cotter pin	250 400 060	3
Spring (Blue/Purple)	414 817 800	1
M14 Spring washer	250 200 006	1

<b>SEA LEVEL CALIBRATION KIT (P/N 860 201 418)</b>			
DESCRIPTION		PART NUMBER	QTY
Drive pulley	Ramp 413	417 222 508	3
	Long solid pin 35,75 mm/18,8 g	417 222 594	3
	Cotter pin	250 400 060	3
	Spring (Blue/Yellow)	414 689 500	1
	M14 spring washer	250 200 006	1
Driven pulley	Spring (Black)	417 127 039	1

<b>SEA LEVEL CALIBRATION KIT (P/N 860 201 419)</b>			
DESCRIPTION		PART NUMBER	QTY
Drive pulley	Ramp 413	417 222 508	3
	Long solid pin 35,75 mm/18,8 g	417 222 594	3
	Cotter pin	250 400 060	3
	Spring (Blue/Yellow)	414 689 500	1
	M14 spring washer	250 200 006	1
	Upper gear - 21 teeth	504 096 200	1
	Chain - 106 links	504 152 630	1
Driven pulley	Spring (Black)	417 127 039	1

<b>SEA LEVEL CALIBRATION KIT (P/N 860 201 420)</b>			
DESCRIPTION		PART NUMBER	QTY
Drive pulley	Ramp 413	417 222 508	3
	Long solid pin 35,75 mm/18,8 g	417 222 594	3
	Cotter pin	250 400 060	3
	Spring (Blue/Yellow)	414 689 500	1
	M14 spring washer	250 200 006	1
	Upper gear - 21 teeth	504 096 200	1
Driven pulley	Spring (Black)	417 127 039	1

<b>SEA LEVEL CALIBRATION KIT (P/N 860 201 421)</b>			
DESCRIPTION		PART NUMBER	QTY
Drive pulley	Ramp 413	417 222 508	3
	Long solid pin 35,75 mm/18,8 g	417 222 594	3
	Cotter pin	250 400 060	3
	Spring (Blue/Yellow)	414 689 500	1
	M14 spring washer	250 200 006	1
	Upper gear - 23 teeth	504 091 000	1
Driven pulley	Spring (Black)	417 127 039	1

<b>SEA LEVEL CALIBRATION KIT (P/N 860 201 422)</b>			
DESCRIPTION		PART NUMBER	QTY
Drive pulley	Ramp 413	417 222 508	3
	Long solid pin 35,75 mm/18,8 g	417 222 594	3
	Cotter pin	250 400 060	3
	Spring (Blue/Yellow)	414 689 500	1
	M14 spring washer	250 200 006	1
	Upper gear - 23 teeth	504 091 000	1
	Chain - 110 links	504 153 266	1
	Driven pulley	Spring (Black)	417 127 039

# EXPEDITION® SPORT 550F / TUNDRA™ SPORT 550F / TUNDRA LT 550F

## Drive Pulley

	SEA LEVEL 0 M (0 FT)	600 M (2000 FT)	1200 M (4000 FT)	1800 M (6000 FT)	2400 M (8000 FT)	3000 M (10000 FT)
Spring	Red/Orange (P/N 417 223 316)	Red/Green (P/N 417 223 459)	Red/Red (P/N 417 223 186)	Red/Yellow (P/N 417 223 315)	Red/Orange (P/N 417 223 316)	Red/Green (P/N 417 223 459)
Ramp	700 (P/N 417 223 457)		734 (P/N 417 223 678)			
Ramp quantity	6					
Engagement RPM ± 100	2600					
Maximum RPM ± 100	6800					

## Driven Pulley

	SEA LEVEL 0 M (0 FT)	600 M (2000 FT)	1200 M (4000 FT)	1800 M (6000 FT)	2400 M (8000 FT)	3000 M (10000 FT)
Spring	Brown (P/N 417 127 061)					
Spring tension Kg ± 0.7 (lb ± 1.5)	N/A					
Cam angle (degrees)	44° (P/N 417 127 011)					

## Carburation

**NOTICE** These adjustments are guidelines only. Specific adjustments vary with temperature, altitude and snow condition. Always observe spark plug condition for proper jetting.

		SEA LEVEL 0 M (0 FT)	600 M (2000 FT)	1200 M (4000 FT)	1800 M (6000 FT)	2400 M (8000 FT)	3000 M (10000 FT)	
Main jet	MAG	190	180	170	160	140	130	1
	PTO	200	190					1
Jet needle		6BFY46						2
MAG needle position		3			2			—
PTO needle position		4			2			
Slide cut-away		2.5						2
Pilot jet		35			45		55	2
MAG mixture screw		1.25						—
PTO mixture screw		1			1.25			
Valve seat		1.2						2
Needle jet		P-8 (159)				P-6 (159)		2
Float level (± 1 mm)		23.9						—
Idle RPM (± 200)		1650						—
Idle throttle valve position (± 0.1 mm)		1.6		1.8	2	2.2	2.4	—

## Main Jet Chart

		SEA LEVEL 0 M (0 FT)	600 M (2000 FT)	1200 M (4000 FT)	1800 M (6000 FT)	2400 M (8000 FT)	3000 M (10000 FT)
-40°C (-40°F)	MAG	200	190	180	170	150	140
	PTO	210	200				
-30°C (-22°F)	MAG	195	185	175	165	145	135
	PTO	205	195				
-20°C (-4°F)	MAG	190	180	170	160	140	130
	PTO	200	190				
-10°C (14°F)	MAG	185	175	165	155	135	125
	PTO	195	185				
0°C (32°F)	MAG	180	170	160	150	130	120
	PTO	190	180				
10°C (50°F)	MAG	175	165	155	145	125	115
	PTO	185	175				
20°C (68°F)	MAG	170	160	150	140	120	110
	PTO	180	170				

---

## Additional Information

	SEA LEVEL 0 M (0 FT)	600 M (2000 FT)	1200 M (4000 FT)	1800 M (6000 FT)	2400 M (8000 FT)	3000 M (10000 FT)
Reverse connector		(P/N 515 174 800)			(P/N 515 174 700) Connect to ECM	



# SKANDIC WT 550F

## Drive Pulley

	SEA LEVEL 0 M (0 FT)	600 M (2000 FT)	1200 M (4000 FT)	1800 M (6000 FT)	2400 M (8000 FT)	3000 M (10000 FT)
Spring	Red/Orange (P/N 417 223 316)	Red/Green (P/N 417 223 459)	Red/Red (P/N 417 223 186)	Red/Yellow (P/N 417 223 315)	Red/Orange (P/N 417 223 316)	Red/Green (P/N 417 223 459)
Ramp	700 (P/N 417 223 457)		734 (P/N 417 223 678)			
Ramp quantity	6					
Engagement RPM $\pm$ 100	2600					
Maximum RPM $\pm$ 100	6800					

## Driven Pulley

	SEA LEVEL 0 M (0 FT)	600 M (2000 FT)	1200 M (4000 FT)	1800 M (6000 FT)	2400 M (8000 FT)	3000 M (10000 FT)
Spring	Pink 2 (P/N 417 127 236)					
Spring tension Kg $\pm$ 0.7 (lb $\pm$ 1.5)	6.4 kgf (14.1 lbf)					
Cam angle (degrees)	47° - 44° (P/N 417 127 148)					

# Carburation

**NOTICE** These adjustments are guidelines only. Specific adjustments vary with temperature, altitude and snow condition. Always observe spark plug condition for proper jetting.

		SEA LEVEL 0 M (0 FT)	600 M (2000 FT)	1200 M (4000 FT)	1800 M (6000 FT)	2400 M (8000 FT)	3000 M (10000 FT)	
Main jet	MAG	190	180	170	160	150	140	1
	PTO	200						1
Jet needle		6BFY46						2
MAG needle position	3	2			1			—
PTO needle position	4							
Slide cut-away		2.0						2
Pilot jet		35	40					2
MAG mixture screw		2.5			2			—
PTO mixture screw		1						
Valve seat		1.2						2
Needle jet		P-8 (159)						2
Float level (± 1 mm)		23.9						—
Idle RPM (± 200)		1650						—
Idle throttle valve position (± 0.1 mm)		1.5	1.7	1.8	2	2.1	2.2	—

## Main Jet Chart

		SEA LEVEL 0 M (0 FT)	600 M (2000 FT)	1200 M (4000 FT)	1800 M (6000 FT)	2400 M (8000 FT)	3000 M (10000 FT)
-40°C (-40°F)	MAG	210	200	190	180	170	160
	PTO						
-30°C (-22°F)	MAG	200	190	180	170	160	150
	PTO						
-20°C (-4°F)	MAG	190	180	170	160	150	140
	PTO						
-10°C (14°F)	MAG	180	170	160	150	140	130
	PTO						
0°C (32°F)	MAG	170	160	150	140	130	120
	PTO						
10°C (50°F)	MAG	160	150	140	130	120	110
	PTO						
20°C (68°F)	MAG	150	140	130	120	110	100
	PTO						

# MX Z™ SPORT 600

## Drive Pulley

	SEA LEVEL 0 M (0 FT)	600 M (2000 FT)	1200 M (4000 FT)	1800 M (6000 FT)	2400 M (8000 FT)	3000 M (10000 FT)
Spring	Purple/Purple (P/N 414 817 900)			Pink/Purple (P/N 414 754 200)		
Ramp	412 (P/N 417 222 515)					
Calibration Screw Position	3	4	5	4	5	6
Pin	Short solid 32 mm/16,75 g (P/N 417 004 308)			Short no thread 32 mm/9,9 g (P/N 417 004 309)		
Engagement RPM $\pm$ 100	3800			3900	4100	
Maximum RPM $\pm$ 100	8100					

## Driven Pulley

	SEA LEVEL 0 M (0 FT)	600 M (2000 FT)	1200 M (4000 FT)	1800 M (6000 FT)	2400 M (8000 FT)	3000 M (10000 FT)
Spring	Black (P/N 417 127 039)					
Spring tension Kg $\pm$ 0.7 (lb $\pm$ 1.5)	N/A					
Cam angle (degrees)	42° (P/N 417 127 012)					

## Carburation

**NOTICE** These adjustments are guidelines only. Specific adjustments vary with temperature, altitude and snow condition. Always observe spark plug condition for proper jetting.

		SEA LEVEL 0 M (0 FT)	600 M (2000 FT)	1200 M (4000 FT)	1800 M (6000 FT)	2400 M (8000 FT)	3000 M (10000 FT)	
Main jet	MAG	390	370	350	330	300	280	1
	PTO							1
Jet needle		9CEY2-58						2
Needle position		2						—
Slide cut-away		2.0						2
Pilot jet		17.5						2
Mixture screw		1.5			2			—
Valve seat		1.5						2
Needle jet		P-0M						2
Float level (± 1 mm)		N/A						—
Idle RPM (± 200)		1600						—
Idle throttle valve position (± 0.1 mm)		1.5	1.6	1.7	1.8	1.9		—

## Main Jet Chart

		SEA LEVEL 0 M (0 FT)	600 M (2000 FT)	1200 M (4000 FT)	1800 M (6000 FT)	2400 M (8000 FT)	3000 M (10000 FT)
-40°C (-40°F)	MAG	410	390	370	350	320	300
	PTO						
-30°C (-22°F)	MAG	400	380	360	340	310	290
	PTO						
-20°C (-4°F)	MAG	390	370	350	330	300	280
	PTO						
-10°C (14°F)	MAG	380	360	340	320	290	270
	PTO						
0°C (32°F)	MAG	370	350	330	310	280	260
	PTO						
10°C (50°F)	MAG	360	340	320	300	270	250
	PTO						
20°C (68°F)	MAG	350	330	310	290	260	240
	PTO						

# RENEGADE™ SPORT 600

## Drive Pulley

	SEA LEVEL 0 M (0 FT)	600 M (2000 FT)	1200 M (4000 FT)	1800 M (6000 FT)	2400 M (8000 FT)	3000 M (10000 FT)
Spring	Blue/Purple (P/N 414 817 900)			Pink/Purple (P/N 414 754 200)		
Ramp	412 (P/N 417 222 515)					
Calibration Screw Position	3	4	5	4	5	6
Pin	Short solid 32 mm/16,75 g (P/N 417 004 308)			Short no thread 32 mm/9,9 g (P/N 417 004 309)		
Engagement RPM $\pm$ 100	3400			4100		
Maximum RPM $\pm$ 100	8100					

## Driven Pulley

	SEA LEVEL 0 M (0 FT)	600 M (2000 FT)	1200 M (4000 FT)	1800 M (6000 FT)	2400 M (8000 FT)	3000 M (10000 FT)
Spring	Black (P/N 417 127 039)					
Spring tension Kg $\pm$ 0.7 (lb $\pm$ 1.5)	N/A					
Cam angle (degrees)	42° (P/N 417 127 012)					

## Carburation

**NOTICE** These adjustments are guidelines only. Specific adjustments vary with temperature, altitude and snow condition. Always observe spark plug condition for proper jetting.

		SEA LEVEL 0 M (0 FT)	600 M (2000 FT)	1200 M (4000 FT)	1800 M (6000 FT)	2400 M (8000 FT)	3000 M (10000 FT)	
Main jet	MAG	390	370	350	330	300	280	1
	PTO							1
Jet needle		9CEY2-58						2
Needle position		2						—
Slide cut-away		2.0						2
Pilot jet		17.5						2
Mixture screw		1.5			2			—
Valve seat		1.5						2
Needle jet		P-0M						2
Float level (± 1 mm)		N/A						—
Idle RPM (± 200)		1600						—
Idle throttle valve position (± 0.1 mm)		1.5	1.6	1.7	1.8	1.9		—

## Main Jet Chart

		SEA LEVEL 0 M (0 FT)	600 M (2000 FT)	1200 M (4000 FT)	1800 M (6000 FT)	2400 M (8000 FT)	3000 M (10000 FT)
-40°C (-40°F)	MAG	410	390	370	350	320	300
	PTO						
-30°C (-22°F)	MAG	400	380	360	340	310	290
	PTO						
-20°C (-4°F)	MAG	390	370	350	330	300	280
	PTO						
-10°C (14°F)	MAG	380	360	340	320	290	270
	PTO						
0°C (32°F)	MAG	370	350	330	310	280	260
	PTO						
10°C (50°F)	MAG	360	340	320	300	270	250
	PTO						
20°C (68°F)	MAG	350	330	310	290	260	240
	PTO						

# SUMMIT™ SPORT 146" 600

## Drive Pulley

	SEA LEVEL 0 M (0 FT)	600 M (2000 FT)	1200 M (4000 FT)	1800 M (6000 FT)	2400 M (8000 FT)	3000 M (10000 FT)
Spring	Blue/Pink (P/N 414 916 300)			Green/Pink (P/N 414 756 900)		
Ramp	417 (P/N 417 222 552)					
Calibration Screw Position	3	4	2	3	4	5
Pin	Short solid 32 mm/16,75 g (P/N 417 004 308)		Short threaded 32 mm/10,88 g (P/N 417 222 477) 1 x set screw 20 mm (P/N 206 262 099)		Short threaded 32 mm/10,88 g (P/N 417 222 477)	
Engagement RPM ± 100	3400			4100		
Maximum RPM ± 100	8100					

## Driven Pulley

	SEA LEVEL 0 M (0 FT)	600 M (2000 FT)	1200 M (4000 FT)	1800 M (6000 FT)	2400 M (8000 FT)	3000 M (10000 FT)
Spring	Black (P/N 417 127 039)					
Spring tension Kg ± 0.7 (lb ± 1.5)	N/A					
Cam angle (degrees)	43° - 47° (P/N 417 127 133)					

## Carburation

**NOTICE** These adjustments are guidelines only. Specific adjustments vary with temperature, altitude and snow condition. Always observe spark plug condition for proper jetting.

		SEA LEVEL 0 M (0 FT)	600 M (2000 FT)	1200 M (4000 FT)	1800 M (6000 FT)	2400 M (8000 FT)	3000 M (10000 FT)	
Main jet	MAG	390	370	350	330	300	280	1
	PTO							1
Jet needle		9CEY2-58						2
Needle position		2						—
Slide cut-away		2.0						2
Pilot jet		17.5						2
Mixture screw		1.5			2			—
Valve seat		1.5						2
Needle jet		P-0M						2
Float level (± 1 mm)		N/A						—
Idle RPM (± 200)		1600						—
Idle throttle valve position (± 0.1 mm)		1.5	1.6	1.7	1.8	1.9		—

## Main Jet Chart

		SEA LEVEL 0 M (0 FT)	600 M (2000 FT)	1200 M (4000 FT)	1800 M (6000 FT)	2400 M (8000 FT)	3000 M (10000 FT)
-40°C (-40°F)	MAG	410	390	370	350	320	300
	PTO						
-30°C (-22°F)	MAG	400	380	360	340	310	290
	PTO						
-20°C (-4°F)	MAG	390	370	350	330	300	280
	PTO						
-10°C (14°F)	MAG	380	360	340	320	290	270
	PTO						
0°C (32°F)	MAG	370	350	330	310	280	260
	PTO						
10°C (50°F)	MAG	360	340	320	300	270	250
	PTO						
20°C (68°F)	MAG	350	330	310	290	260	240
	PTO						



---

## Vehicle Calibration

	SEA LEVEL 0 M (0 FT)	600 M (2000 FT)	1200 M (4000 FT)	1800 M (6000 FT)	2400 M (8000 FT)	3000 M (10000 FT)
Stopper Strap		4		3		2

# EXPEDITION LE 600 HO E-TEC® / EXPEDITION SE 600 HO E-TEC

## Drive Pulley

	SEA LEVEL 0 M (0 FT)	600 M (2000 FT)	1200 M (4000 FT)	1800 M (6000 FT)	2400 M (8000 FT)	3000 M (10000 FT)
Spring	Yellow/Red (P/N 414 993 000)					
Ramp	600 (P/N 417 222 444)					
Calibration Screw Position	2	3	4	2	3	4
Pin	Long solid 35.75 mm/18,8 g (P/N 417 222 594)			Short threaded 32 mm/10,88 g (P/N 417 222 477) 1 X set screw 16 mm (P/N 206 261 699)		
Engagement RPM ± 100	3000					
Maximum RPM ± 100	8100					

## Driven Pulley

	SEA LEVEL 0 M (0 FT)	600 M (2000 FT)	1200 M (4000 FT)	1800 M (6000 FT)	2400 M (8000 FT)	3000 M (10000 FT)
Spring	White 2 (P/N 417 127 243)					
Spring tension Kg ± 0.7 (lb ± 1.5)	6.8 kgf (15 lbf)					
Cam angle (degrees)	40° (P/N 417 127 205)					

# SKANDIC WT 600 HO E-TEC / SKANDIC SWT 600 HO E-TEC

## Drive Pulley

	SEA LEVEL 0 M (0 FT)	600 M (2000 FT)	1200 M (4000 FT)	1800 M (6000 FT)	2400 M (8000 FT)	3000 M (10000 FT)
Spring	Yellow/Red (P/N 414 993 000)					
Ramp	600 (P/N 417 222 444)					
Calibration Screw Position	2	3	4	2	3	4
Pin	Long solid 35.75 mm/18,8 g (P/N 417 222 594)			Short threaded 32 mm/10,88 g (P/N 417 222 477)		
Engagement RPM $\pm$ 100	3000					
Maximum RPM $\pm$ 100	8100					

## Driven Pulley

	SEA LEVEL 0 M (0 FT)	600 M (2000 FT)	1200 M (4000 FT)	1800 M (6000 FT)	2400 M (8000 FT)	3000 M (10000 FT)
Spring	White 2 (P/N 417 127 243)					
Spring tension Kg $\pm$ 0.7 (lb $\pm$ 1.5)	6.8 kgf (15 lbf)					
Cam angle (degrees)	41° - 45° (P/N 417 127 105)					

# GRAND TOURING LE 600 HO E-TEC

## Drive Pulley

	SEA LEVEL 0 M (0 FT)	600 M (2000 FT)	1200 M (4000 FT)	1800 M (6000 FT)	2400 M (8000 FT)	3000 M (10000 FT)
Spring	Red/Green (P/N 414 689 200)			Blue/Yellow (P/N 414 689 500)		
Ramp	414 (P/N 417 222 546)					
Calibration Screw Position	3	4	5	3	4	5
Pin	Short solid 32 mm/16,75 g (P/N 417 004 308)			Short no thread 32 mm/9,9 g (P/N 417 004 309)		
Engagement RPM $\pm$ 100	3400			3600		
Maximum RPM $\pm$ 100	8100					

## Driven Pulley

	SEA LEVEL 0 M (0 FT)	600 M (2000 FT)	1200 M (4000 FT)	1800 M (6000 FT)	2400 M (8000 FT)	3000 M (10000 FT)
Spring	Green (P/N 417 127 137)					
Spring tension Kg $\pm$ 0.7 (lb $\pm$ 1.5)	N/A					
Cam angle (degrees)	48° (P/N 417 127 083)			42° - 40° (P/N 417 127 106)		

**MX Z™ TNT 600 HO E-TEC /**  
**MX Z BLIZZARD™ 600 HO E-TEC /**  
**MX Z X™ 600 HO E-TEC /**  
**MX Z X-RS™ 600 HO E-TEC /**  
**RENEGADE™ ADRENALINE™ 600 HO E-TEC /**  
**RENEGADE ENDURO 600 HO E-TEC /**  
**RENEGADE BACKCOUNTRY™ 600 HO E-TEC /**  
**RENEGADE X 600 HO E-TEC**

**Drive Pulley**

	SEA LEVEL 0 M (0 FT)	600 M (2000 FT)	1200 M (4000 FT)	1800 M (6000 FT)	2400 M (8000 FT)	3000 M (10000 FT)
Spring	Blue/Green (P/N 414 817 700)			Purple/Yellow (P/N 415 015 300)		
Ramp	412 (P/N 417 222 515)			417 (P/N 417 222 552)		
Calibration Screw Position	3	4	5	2	3	4
Pin	Short solid 32 mm/16,75 g (P/N 417 004 308)			Short threaded 32 mm/10.88 g (P/N 417 222 477)		
Engagement RPM ± 100	3400			3800		
Maximum RPM ± 100	8100					

**Driven Pulley**

	SEA LEVEL 0 M (0 FT)	600 M (2000 FT)	1200 M (4000 FT)	1800 M (6000 FT)	2400 M (8000 FT)	3000 M (10000 FT)
Spring	Green (P/N 417 127 137)					
Spring tension Kg ± 0.7 (lb ± 1.5)	N/A					
Cam angle (degrees)	48° (P/N 417 127 083)			40° (P/N 417 126 956)		

# TUNDRA Xtreme 600 HO E-TEC

## Drive Pulley

	SEA LEVEL 0 M (0 FT)	600 M (2000 FT)	1200 M (4000 FT)	1800 M (6000 FT)	2400 M (8000 FT)	3000 M (10000 FT)
Spring	Red/Orange (P/N 415 015 200)			Blue/Green (P/N 414 817 700)		
Ramp	417 (P/N 417 222 552)					
Calibration Screw Position	3	4	5	3	4	5
Pin	Short threaded 32 mm/10,88 g (P/N 417 222 477) 1 x set screw/16 mm (P/N 206 261 699)			Short threaded 32 mm/10,88 g (P/N 417 222 477)		
Engagement RPM ± 100	2800			3800		
Maximum RPM ± 100	8100					

## Driven Pulley

	SEA LEVEL 0 M (0 FT)	600 M (2000 FT)	1200 M (4000 FT)	1800 M (6000 FT)	2400 M (8000 FT)	3000 M (10000 FT)
Spring	Black (P/N 417 127 039)					
Spring tension Kg ± 0.7 (lb ± 1.5)	N/A					
Cam angle (degrees)	44° - 42° (P/N 417 126 973)			41° - 45° (P/N 417 127 105)		

## Vehicle Calibration

	SEA LEVEL 0 M (0 FT)	600 M (2000 FT)	1200 M (4000 FT)	1800 M (6000 FT)	2400 M (8000 FT)	3000 M (10000 FT)
Stopper Strap	3					
Rear suspension extension	Locked			Free		

# SUMMIT SP 146" AND 154" 600 HO E-TEC (CAN/USA)

## Drive Pulley

	SEA LEVEL 0 M (0 FT)	600 M (2000 FT)	1200 M (4000 FT)	1800 M (6000 FT)	2400 M (8000 FT)	3000 M (10000 FT)
Spring	Blue/Green (P/N 414 817 700)		Purple/Green (P/N 415 015 400)			
Ramp	412 (P/N 417 222 515)		440 (P/N 417 223 096)			
Calibration Screw Position	3	4	3	4	5	6
Pin	Short solid 32 mm/16,75 g (P/N 417 004 308)		Short threaded 32 mm/10,88 g (P/N 417 222 477) 1 x set screw/16 mm (P/N 206 261 699)	Short threaded 32 mm/10,88 g (P/N 417 222 477)		
Engagement RPM $\pm$ 100	3300		4000			
Maximum RPM $\pm$ 100	8100					

## Driven Pulley

	SEA LEVEL 0 M (0 FT)	600 M (2000 FT)	1200 M (4000 FT)	1800 M (6000 FT)	2400 M (8000 FT)	3000 M (10000 FT)
Spring	Black (P/N 417 127 039)					
Spring tension Kg $\pm$ 0.7 (lb $\pm$ 1.5)	N/A					
Cam angle (degrees)	41° - 45° (P/N 417 127 105)					

## Vehicle Calibration

	SEA LEVEL 0 M (0 FT)	600 M (2000 FT)	1200 M (4000 FT)	1800 M (6000 FT)	2400 M (8000 FT)	3000 M (10000 FT)
Stopper Strap		4		3		2

# SUMMIT SP 146" AND 154" 600 HO E-TEC (EUROPE)

## Drive Pulley

	SEA LEVEL 0 M (0 FT)	600 M (2000 FT)	1200 M (4000 FT)	1800 M (6000 FT)	2400 M (8000 FT)	3000 M (10000 FT)
Spring	Blue/Green (P/N 414 817 700)		Purple/Green (P/N 415 015 400)			
Ramp	412 (P/N 417 222 515)		440 (P/N 417 223 096)			
Calibration Screw Position	3	4	3	4	5	6
Pin	Short solid 32 mm/16,75 g (P/N 417 004 308)		Short threaded 32 mm/10,88 g (P/N 417 222 477)			
Engagement RPM ± 100	3400		4000			
Maximum RPM ± 100	8100					

## Driven Pulley

	SEA LEVEL 0 M (0 FT)	600 M (2000 FT)	1200 M (4000 FT)	1800 M (6000 FT)	2400 M (8000 FT)	3000 M (10000 FT)
Spring	Black (P/N 417 127 039)					
Spring tension Kg ± 0.7 (lb ± 1.5)	N/A					
Cam angle (degrees)	41° - 45° (P/N 417 127 105)					

## Vehicle Calibration

	SEA LEVEL 0 M (0 FT)	600 M (2000 FT)	1200 M (4000 FT)	1800 M (6000 FT)	2400 M (8000 FT)	3000 M (10000 FT)
Stopper Strap		4		3		2



# SUMMIT SPORT 154" 800R POWER TEK™

## Drive Pulley

	SEA LEVEL 0 M (0 FT)	600 M (2000 FT)	1200 M (4000 FT)	1800 M (6000 FT)	2400 M (8000 FT)	3000 M (10000 FT)
Spring	Blue/Purple (P/N 414 817 800)		Green/Purple (P/N 414 762 800)			
Ramp	413 (P/N 417 222 508)		441 (P/N 417 223 098)			
Calibration Screw Position	3	4	1	2	3	4
Pin	Long solid 35,75 mm/18,8 g (P/N 417 222 594)		Short threaded 32 mm/10,88 g (P/N 417 222 477) 1 set screw/12 mm (P/N 206 261 299)		Short threaded 32 mm/10,88 g (P/N 417 222 477)	
Engagement RPM ± 100	3000		3800			
Maximum RPM ± 100	8150					

## Sea Level Calibration Kit

MODEL	PART NUMBER
SUMMIT SPORT 154" 800R Power TEK	860 200 394

## Driven Pulley

	SEA LEVEL 0 M (0 FT)	600 M (2000 FT)	1200 M (4000 FT)	1800 M (6000 FT)	2400 M (8000 FT)	3000 M (10000 FT)
Spring	Purple (P/N 417 127 062)					
Spring tension Kg ± 0.7 (lb ± 1.5)	N/A					
Cam angle (degrees)	43° - 47° (P/N 417 127 133)					

## Carburation

**NOTICE** These adjustments are guidelines only. Specific adjustments vary with temperature, altitude and snow condition. Always observe spark plug condition for proper jetting.

		SEA LEVEL 0 M (0 FT)	600 M (2000 FT)	1200 M (4000 FT)	1800 M (6000 FT)	2400 M (8000 FT)	3000 M (10000 FT)	
Main jet	MAG	480						1
	PTO							1
Jet needle		9EGI04-58						2
Needle position		N/A						—
Slide cut-away		2.0						2
Pilot jet		17,5						2
Mixture screw		1.5						—
Valve seat		1.5						2
Needle jet		P-0M						2
Float level (± 1 mm)		N/A						—
Idle RPM (± 200)		1900						—
Idle throttle valve position (± 0.1 mm)		1.6		1.8		2	—	

## Main Jet Chart

		SEA LEVEL 0 M (0 FT)	600 M (2000 FT)	1200 M (4000 FT)	1800 M (6000 FT)	2400 M (8000 FT)	3000 M (10000 FT)						
-40°C (-40°F)	MAG	520 N											
	PTO												
-30°C (-22°F)	MAG	500											
	PTO												
-20°C (-4°F)	MAG												
	PTO												
-10°C (14°F)	MAG												
	PTO												
0°C (32°F)	MAG							480					
	PTO												
10°C (50°F)	MAG												
	PTO												
20°C (68°F)	MAG												
	PTO												

## Vehicle Calibration

	SEA LEVEL 0 M (0 FT)	600 M (2000 FT)	1200 M (4000 FT)	1800 M (6000 FT)	2400 M (8000 FT)	3000 M (10000 FT)
Stopper Strap		4		3		2

# FREERIDE™ 137" 800R E-TEC (EUROPE)

## (Track with profile of 57 mm (2-1/4 in))

### Drive Pulley

	SEA LEVEL 0 M (0 FT)	600 M (2000 FT)	1200 M (4000 FT)	1800 M (6000 FT)	2400 M (8000 FT)	3000 M (10000 FT)
Spring	Purple/Blue (P/N 415 034 900)		Purple/Pink (P/N 414 949 500)			
Ramp	413 (P/N 417 222 508)		441 (P/N 417 223 098)			
Calibration Screw Position	3	4	3	4	5	6
Pin	Long solid 35.75 mm/18,8 g (P/N 417 222 594)		Long threaded 35,75 mm/12,4 g (P/N 417 222 595) 1 set screw/12 mm (P/N 206 261 299)			
Engagement RPM ± 100	3800		3900	4000		4100
Maximum RPM ± 100	7900					

### Driven Pulley

	SEA LEVEL 0 M (0 FT)	600 M (2000 FT)	1200 M (4000 FT)	1800 M (6000 FT)	2400 M (8000 FT)	3000 M (10000 FT)
Spring	Blue (P/N 417 127 118)					
Spring tension Kg ± 0.7 (lb ± 1.5)	N/A					
Cam angle (degrees)	40° (P/N 417 126 956)					

### Vehicle Calibration

	SEA LEVEL 0 M (0 FT)	600 M (2000 FT)	1200 M (4000 FT)	1800 M (6000 FT)	2400 M (8000 FT)	3000 M (10000 FT)
Stopper Strap		4		3		2

**FREERIDE 146" AND 154" 800R E-TEC SEA-LEVEL /  
SUMMIT X 154" 800R E-TEC SEA-LEVEL  
(Track with profile of 63.5 mm (2-1/2 in)) /  
SUMMIT BURTON 154" 800R  
E-TEC SEA-LEVEL (EUROPE) /  
SUMMIT SP 146", 154" AND 163"  
800R E-TEC SEA-LEVEL (EUROPE)  
(Track with profile of 63.5 mm (2-1/2 in))**

**Drive Pulley**

	SEA LEVEL 0 M (0 FT)	600 M (2000 FT)	1200 M (4000 FT)	1800 M (6000 FT)	2400 M (8000 FT)	3000 M (10000 FT)
Spring	Blue/Yellow (P/N 414 689 500)		Purple/Pink (P/N 414 949 500)			
Ramp	413 (P/N 417 222 508)		441 (P/N 417 223 098)			
Calibration Screw Position	2	3	2	3	4	5
Pin	Long solid 35.75 mm/18,8 g (P/N 417 222 594)		Long threaded 35,75 mm/12,4 g (P/N 417 222 595) 1 set screw/16 mm (P/N 206 261 699)		Long threaded 35,75 mm/12,4 g (P/N 417 222 595)	
Engagement RPM ± 100	3800					
Maximum RPM ± 100	7900					

**Driven Pulley**

	SEA LEVEL 0 M (0 FT)	600 M (2000 FT)	1200 M (4000 FT)	1800 M (6000 FT)	2400 M (8000 FT)	3000 M (10000 FT)
Spring	Black (P/N 417 127 039)					
Spring tension Kg ± 0.7 (lb ± 1.5)	N/A					
Cam angle (degrees)	40° (P/N 417 126 956)					

**Vehicle Calibration**

	SEA LEVEL 0 M (0 FT)	600 M (2000 FT)	1200 M (4000 FT)	1800 M (6000 FT)	2400 M (8000 FT)	3000 M (10000 FT)
Stopper Strap		4		3		2

# Chaincase Gears

146" MODELS (FREERIDE EUROPE)						
	Sea level 0 M (0 FT)	600 M (2000 FT)	1200 M (4000 FT)	1800 M (6000 FT)	2400 M (8000 FT)	3000 M (10000 FT)
Upper gear	21 (P/N 504 096 200)					
Lower gear	49 (P/N 504 152 581)					
Chain	106 (P/N 504 152 630)					

146" MODELS (FREERIDE CAN / USA)						
	Sea level 0 M (0 FT)	600 M (2000 FT)	1200 M (4000 FT)	1800 M (6000 FT)	2400 M (8000 FT)	3000 M (10000 FT)
Upper gear	23 (P/N 504 091 000)	21 (P/N 504 096 200)				
Lower gear	51 (P/N 504 152 971)					
Chain	108 (P/N 504 152 631)	106 (P/N 504 152 630)				

154" MODELS						
	Sea level 0 M (0 FT)	600 M (2000 FT)	1200 M (4000 FT)	1800 M (6000 FT)	2400 M (8000 FT)	3000 M (10000 FT)
Upper gear	21 (P/N 504 096 200)	19 (P/N 504 152 030)				
Lower gear	49 (P/N 504 152 581)					
Chain	106 (P/N 504 152 630)	104 (P/N 504 152 629)				

163" MODELS						
	Sea level 0 M (0 FT)	600 M (2000 FT)	1200 M (4000 FT)	1800 M (6000 FT)	2400 M (8000 FT)	3000 M FT
Upper gear	21 (P/N 504 096 200)	19 (P/N 504 152 030)				
Lower gear	51 (P/N 504 152 971)					
Chain	106 (P/N 504 152 630)					

# SUMMIT X 154", 163" AND 174" 800R E-TEC SEA LEVEL (Track with profile of 76.2 mm (3 in))

## Drive Pulley

	SEA LEVEL 0 M (0 FT)	600 M (2000 FT)	1200 M (4000 FT)	1800 M (6000 FT)	2400 M (8000 FT)	3000 M (10000 FT)
Spring	Blue/Yellow (P/N 414 689 500)		Purple/Purple (P/N 414 817 900)			
Ramp	413 (P/N 417 222 508)		438 (P/N 417 223 049)			
Calibration Screw Position	2	3	2	3	4	5
Pin	Long solid 35.75 mm/18,8 g (P/N 417 222 594)		Long threaded 35,75 mm/12,4 g (P/N 417 222 595) 1 set screw/16 mm (P/N 206 261 699)		Long threaded 35,75 mm/12,4 g (P/N 417 222 595)	
Engagement RPM $\pm$ 100	3800					
Maximum RPM $\pm$ 100	7900					

## Driven Pulley

	SEA LEVEL 0 M (0 FT)	600 M (2000 FT)	1200 M (4000 FT)	1800 M (6000 FT)	2400 M (8000 FT)	3000 M (10000 FT)
Spring	Black (P/N 417 127 039)					
Spring tension Kg $\pm$ 0.7 (lb $\pm$ 1.5)	N/A					
Cam angle (degrees)	40° (P/N 417 126 956)					

## Vehicle Calibration

	SEA LEVEL 0 M (0 FT)	600 M (2000 FT)	1200 M (4000 FT)	1800 M (6000 FT)	2400 M (8000 FT)	3000 M (10000 FT)
Stopper Strap		4		3		2

## Chaincase Gears

154" T3 MODELS						
	SEA LEVEL 0 M (0 FT)	600 M (2000 FT)	1200 M (4000 FT)	1800 M (6000 FT)	2400 M (8000 FT)	3000 M (10000 FT)
Upper gear		23 (P/N 504 091 000)		21 (P/N 504 096 200)		
Lower gear		49 (P/N 504 153 267)				
Chain		110 (P/N 504 153 266)		112 (P/N 504 153 268)		

163" T3 MODELS						
	Sea level 0 M (0 FT)	600 M (2000 FT)	1200 M (4000 FT)	1800 M (6000 FT)	2400 M (8000 FT)	3000 M FT
Upper gear	23 (P/N 504 091 000)		21 (P/N 504 096 200)			
Lower gear	51 (P/N 504 153 227)					
Chain	112 (P/N 504 153 268)					

174" T3 MODELS						
	Sea level 0 M (0 FT)	600 M (2000 FT)	1200 M (4000 FT)	1800 M (6000 FT)	2400 M (8000 FT)	3000 M FT
Upper gear	21 (P/N 504 096 200)		19 (P/N 504 152 030)			
Lower gear	49 (P/N 504 153 267)					
Chain	110 (P/N 504 153 266)					

**FREERIDE 146" AND 154"  
800R E-TEC HIGH ALTITUDE /  
SUMMIT BURTON 154" 800R E-TEC (CAN / USA) /  
SUMMIT SP 146", 154" AND 163"  
800R E-TEC HIGH ALTITUDE  
(Track with profile of 63.5 mm (2-1/2 in)) /  
SUMMIT X 154" 800R E-TEC HIGH ALTITUDE  
(Track with profile of 63.5 mm (2-1/2 in))**

**Drive Pulley**

	SEA LEVEL 0 M (0 FT)	600 M (2000 FT)	1200 M (4000 FT)	1800 M (6000 FT)	2400 M (8000 FT)	3000 M (10000 FT)
Spring	Blue/Yellow (P/N 414 689 500)		Purple/Pink (P/N 414 949 500)			
Ramp	413 (P/N 417 222 508)		441 (P/N 417 223 098)			
Calibration Screw Position	3	4	3	4	5	6
Pin	Long solid 35.75 mm/18,8 g (P/N 417 222 594)		Long threaded 35,75 mm/12,4 g (P/N 417 222 595) 1 set screw/16 mm (P/N 206 261 699)	Long threaded 35,75 mm/12,4 g (P/N 417 222 595)		
Engagement RPM ± 100	3000		3800			
Maximum RPM ± 100	7900					

**Driven Pulley**

	SEA LEVEL 0 M (0 FT)	600 M (2000 FT)	1200 M (4000 FT)	1800 M (6000 FT)	2400 M (8000 FT)	3000 M (10000 FT)
Spring	Blue (P/N 417 127 118)					
Spring tension Kg ± 0.7 (lb ± 1.5)	N/A					
Cam angle (degrees)	40° (P/N 417 126 956)					

**Vehicle Calibration**

	SEA LEVEL 0 M (0 FT)	600 M (2000 FT)	1200 M (4000 FT)	1800 M (6000 FT)	2400 M (8000 FT)	3000 M (10000 FT)
Stopper Strap		4		3		2



## Chaincase Gears

146" MODELS (FREERIDE)						
	SEA LEVEL 0 M (0 FT)	600 M (2000 FT)	1200 M (4000 FT)	1800 M (6000 FT)	2400 M (8000 FT)	3000 M (10000 FT)
Upper gear	23 (P/N 504 091 000)			21 (P/N 504 096 200)		
Lower gear	49 (P/N 504 152 581)					
Chain	108 (P/N 504 152 631)			106 (P/N 504 152 630)		

146" MODELS (SUMMIT)						
	SEA LEVEL 0 M (0 FT)	600 M (2000 FT)	1200 M (4000 FT)	1800 M (6000 FT)	2400 M (8000 FT)	3000 M (10000 FT)
Upper gear	21 (P/N 504 096 200)					
Lower gear	49 (P/N 504 152 581)					
Chain	106 (P/N 504 152 630)					

154" MODELS						
	SEA LEVEL 0 M (0 FT)	600 M (2000 FT)	1200 M (4000 FT)	1800 M (6000 FT)	2400 M (8000 FT)	3000 M FT
Upper gear	21 (P/N 504 096 200)			19 (P/N 504 152 030)		
Lower gear	49 (P/N 504 152 581)					
Chain	106 (P/N 504 152 630)			104 (P/N 504 152 629)		

163" MODELS						
	SEA LEVEL 0 M (0 FT)	600 M (2000 FT)	1200 M (4000 FT)	1800 M (6000 FT)	2400 M (8000 FT)	3000 M (10000 FT)
Upper gear	21 (P/N 504 096 200)			19 (P/N 504 152 030)		
Lower gear	51 (P/N 504 152 971)					
Chain	106 (P/N 504 152 630)					

### Sea Level Calibration Kit

MODEL	PART NUMBER
146"	860 201 418
154"	860 201 419
163"	860 201 420

## Summit 800R E-TEC Theoretical Speed

MODEL	UPPER GEAR	LOWER GEAR	CHAIN	THEORETICAL SPEED (KM/H / MPH)
Summit, Freeride 146*	21	49	106	131 km/h (81 MPH)
Summit, Freeride 146***	23	49	106	144 km/h (89 MPH)
Summit, Freeride 154*	19	49	104	119 km/h (74 MPH)
Summit, Freeride 154**	21	49	106	131 km/h (81 MPH)
Summit, Freeride 154***	23	49	106	144 km/h (89 MPH)
Summit 163*	19	51	106	114 km/h (71 MPH)
Summit 163**	21	51	106	126 km/h (78 MPH)
Summit 163***	23	51	108	138 km/h (86 MPH)

## Summit 800R E-TEC Sea-Level Gear Ratio Recommendation (Excluding T3 Models)

TRACK LENGTH	GEAR RATIO	RECOMMENDATION	PRO'S	CON'S
146"	21/49*	Deep snow / Best all around gear ratio	Better belt life / Better deep snow performance	Max Speed 131 km/h
146"	23/49***	Trail / Lake	Higher maximum speed	Performance and Belt life Reduced in deep snow condition
154"	19/49*	For Extreme deep snow condition only	Increase performance and belt life in extreme deep and heavy snow condition	119 km/h max speed. Rev limiter can often turn on.
154"	21/49**	Deep snow / Best all around gear ratio	Better belt life in all around condition	131 km/h max speed
154"	23/49	Trail / Lake	Higher maximum speed	Performance and Belt life Reduced in deep snow condition
163"	19/49*	For Extreme deep snow condition only	Increase performance and belt life in extreme deep and heavy snow condition	114 km/h max speed. Rev limiter can often turn on.
163"	21/49**	Deep snow / Best all around gear ratio	Better belt life in all around condition	131 km/h max speed
163"	23/49	Trail / Lake	Higher maximum speed	Performance and Belt life Reduced in deep snow condition

\* Factory Installed

\*\* Included in Sea-Level calibration kit

\*\*\* Optional calibration

**SUMMIT X 154", 163" AND 174"  
800R E-TEC HIGH ALTITUDE  
(Track with profile of 76.2 mm (3 in)) /  
SUMMIT SP 154", 163" AND  
174" 800R E-TEC HIGH ALTITUDE  
(Track with profile of 76.2 mm (3 in))**

**Drive Pulley**

	SEA LEVEL 0 M (0 FT)	600 M (2000 FT)	1200 M (4000 FT)	1800 M (6000 FT)	2400 M (8000 FT)	3000 M (10000 FT)
Spring	Blue/Yellow (P/N 414 689 500)		Purple/Pink (P/N 414 949 500)			
Ramp	413 (P/N 417 222 508)		438 (P/N 417 223 049)			
Calibration Screw Position	3	4	3	4	5	6
Pin	Long solid 35.75 mm/18,8 g (P/N 417 222 594)		Long threaded 35,75 mm/12,4 g (P/N 417 222 595) 1 set screw/16 mm (P/N 206 261 699)	Long threaded 35,75 mm/12,4 g (P/N 417 222 595)		
Engagement RPM ± 100	3000		3800			
Maximum RPM ± 100	7900					

**Driven Pulley**

	SEA LEVEL 0 M (0 FT)	600 M (2000 FT)	1200 M (4000 FT)	1800 M (6000 FT)	2400 M (8000 FT)	3000 M (10000 FT)
Spring	Black (P/N 417 127 039)		Blue (P/N 417 127 118)			
Spring tension Kg ± 0.7 (lb ± 1.5)	N/A					
Cam angle (degrees)	40° (P/N 417 127 386)					

**Vehicle Calibration**

	SEA LEVEL 0 M (0 FT)	600 M (2000 FT)	1200 M (4000 FT)	1800 M (6000 FT)	2400 M (8000 FT)	3000 M (10000 FT)
Stopper Strap	4		3		2	

## Chaincase Gears

154" T3 MODELS						
SEA LEVEL 0 M (0 FT)	600 M (2000 FT)	1200 M (4000 FT)	1800 M (6000 FT)	2400 M (8000 FT)	3000 M (10000 FT)	
Upper gear	23 (P/N 504 091 000)		21 (P/N 504 096 200)			
Lower gear	49 (P/N 504 153 267)					
Chain	110 (P/N 504 153 266)			112 (P/N 504 153 268)		

163" T3 MODELS						
SEA LEVEL 0 M (0 FT)	600 M (2000 FT)	1200 M (4000 FT)	1800 M (6000 FT)	2400 M (8000 FT)	3000 M (10000 FT)	
Upper gear	23 (P/N 504 091 000)		21 (P/N 504 096 200)			
Lower gear	51 (P/N 504 153 227)					
Chain	112 (P/N 504 153 268)					

174" T3 MODELS						
SEA LEVEL 0 M (0 FT)	600 M (2000 FT)	1200 M (4000 FT)	1800 M (6000 FT)	2400 M (8000 FT)	3000 M (10000 FT)	
Upper gear	21 (P/N 504 096 200)		19 (P/N 504 152 030)			
Lower gear	49 (P/N 504 153 267)					
Chain	110 (P/N 504 153 266)					

### Sea Level Calibration Kit

MODEL	PART NUMBER
154" T3	860 201 422
163" T3	860 201 421
174" T3	860 201 420

### Summit 800R E-TEC Theoretical Speed (Excluding European Models)

NOTE: Summit with T3 package are equipped with 7 tooth sprocket instead of 8 tooth sprocket like none T3 Summit. Theoretical speed and gear ratio recommendation for Summit with T3 package will differ from a Summit without T3 package, with same gear ratio.

MODEL	UPPER GEAR	LOWER GEAR	CHAIN	THEORETICAL SPEED (KM/H / MPH)
Summit 154 T3*	21	49	112	128 km/h (80 MPH)
Summit 154 T3**	23	49	110	140 km/h (87 MPH)
Summit 163 T3*	21	51	112	123 km/h (76 MPH)
Summit 163 T3**	23	51	112	134 km/h (83 MPH)
Summit 174 T3*	19	49	110	116 km/h (72 MPH)
Summit 174 T3**	21	49	110	127 km/h (79 MPH)

## Summit 800R E-TEC Sea-Level Gear Ratio Recommendation (Excluding European Models)

NOTE: Summit with T3 package are equipped with 7 tooth sprocket instead of 8 tooth sprocket like none T3 Summit. Theoretical speed and gear ratio recommendation for Summit with T3 package may differ from a Summit without T3 package, with same gear ratio.

TRACK LENGTH	GEAR RATIO	RECOMMENDATION	PRO'S	CON'S
154" T3	21/49*	For extreme deep snow condition only	Better belt life in all around condition	128 km/h max speed. Rev limiter can turn on
154" T3	23/49**	Deep snow / Best all around gear ratio	Higher maximum speed	Performance and belt life reduced in deep snow condition
163" T3	21/51*	For extreme deep snow condition only	Better belt life in all around condition	123 km/h max speed. Rev limiter can turn on
163" T3	23/51**	Deep snow / Best all around gear ratio	Higher maximum speed	Performance and belt life reduced in deep snow condition
174" T3	19/49*	For extreme deep snow condition only	Increase performance and belt life in extreme deep and heavy snow condition	116 Km/h max speed. Rev limiter can often turn on
174" T3	21/49**	Deep snow / Best all around gear ratio	Better belt life in all around condition	127 Km/h max speed

\* Factory Installed

\*\* Included in Sea-Level calibration kit

\*\*\* Optional calibration

**MX Z TNT 800R E-TEC /  
 MX Z BLIZZARD 800R E-TEC /  
 MX Z X 800R E-TEC /  
 MX Z X-RS 800R E-TEC /**

**Drive Pulley**

	SEA LEVEL 0 M (0 FT)	600 M (2000 FT)	1200 M (4000 FT)	1800 M (6000 FT)	2400 M (8000 FT)	3000 M (10000 FT)
Spring	Blue/Green (P/N 414 817 700)		Purple/Yellow (P/N 415 015 300)			
Ramp	414 (P/N 417 222 546)					
Calibration Screw Position	3	4	2	3	4	5
Pin	Long solid 35.75 mm/18.8 g (P/N 417 222 594)		Long threaded 35.75 mm/12.4 g (P/N 417 222 595) 1 x set screw 12 mm (P/N 206 261 299)			
Engagement RPM ± 100	3800					
Maximum RPM ± 100	7900					

**Driven Pulley**

	SEA LEVEL 0 M (0 FT)	600 M (2000 FT)	1200 M (4000 FT)	1800 M (6000 FT)	2400 M (8000 FT)	3000 M (10000 FT)
Spring	Green (P/N 417 127 137)		Purple (P/N 417 127 062)			
Spring tension Kg ± 0.7 (lb ± 1.5)	N/A					
Cam angle (degrees)	47° - 44° (P/N 417 127 109)		44° (P/N 417 127 011)			

**RENEGADE ADRENALINE 800R E-TEC /  
RENEGADE X 800R E-TEC /  
RENEGADE ENDURO 800R E-TEC /  
RENEGADE X-RS 800R E-TEC (CAN / USA)  
(Track with profile of 38.1 mm and 40.7 mm  
(1-1/2 in and 1-19/32 in))**

**Drive Pulley**

	SEA LEVEL 0 M (0 FT)	600 M (2000 FT)	1200 M (4000 FT)	1800 M (6000 FT)	2400 M (8000 FT)	3000 M (10000 FT)
Spring	Blue/Green (P/N 414 817 700)		Blue/Blue (P/N 414 689 400)			
Ramp	414 (P/N 417 222 546)		413 (P/N 417 222 508)			
Calibration Screw Position	3	4	2	3	4	5
Pin	Long solid 35.75 mm/18.8 g (P/N 417 222 594)		Long threaded 35.75 mm/12.4 g (P/N 417 222 595) 1 set screw/12 mm (P/N 206 261 299)			
Engagement RPM $\pm$ 100	3800		3900	4000		4100
Maximum RPM $\pm$ 100	7900					

**Driven Pulley**

	SEA LEVEL 0 M (0 FT)	600 M (2000 FT)	1200 M (4000 FT)	1800 M (6000 FT)	2400 M (8000 FT)	3000 M (10000 FT)
Spring	Green (P/N 417 127 137)					
Spring tension Kg $\pm$ 0.7 (lb $\pm$ 1.5)	N/A					
Cam angle (degrees)	44° - 42° (P/N 417 126 973)					

**FREERIDE 137" 800R E-TEC  
 (Track profile of 44.5 mm (1-3/4 in)) /  
 RENEGADE BACKCOUNTRY 800R E-TEC /  
 RENEGADE BACKCOUNTRY X 800R E-TEC /  
 RENEGADE X-RS 800R E-TEC (EUROPE)  
 (Track with profile of 44.5 mm (1-3/4 in))**

**Drive Pulley**

	SEA LEVEL 0 M (0 FT)	600 M (2000 FT)	1200 M (4000 FT)	1800 M (6000 FT)	2400 M (8000 FT)	3000 M (10000 FT)
Spring	Purple/Blue (P/N 415 034 900)		Purple/Pink (P/N 414 949 500)			
Ramp	413 (P/N 417 222 508)		438 (P/N 417 223 049)			
Calibration Screw Position	3	4	3	4	5	6
Pin	Long solid 35.75 mm/18.8 g (P/N 417 222 594)		Long threaded 35.75 mm/12.4 g (P/N 417 222 595) 1 set screw/12 mm (P/N 206 261 299)			
Engagement RPM ± 100	3800		3900	4000		4100
Maximum RPM ± 100	7900					

**Driven Pulley**

	SEA LEVEL 0 M (0 FT)	600 M (2000 FT)	1200 M (4000 FT)	1800 M (6000 FT)	2400 M (8000 FT)	3000 M (10000 FT)
Spring	Green (P/N 417 127 137)					
Spring tension Kg ± 0.7 (lb ± 1.5)	N/A					
Cam angle (degrees)	44° - 42° (P/N 417 126 973)					



# EXPEDITION EXTREME 800R E-TEC

## Drive Pulley

	SEA LEVEL 0 M (0 FT)	600 M (2000 FT)	1200 M (4000 FT)	1800 M (6000 FT)	2400 M (8000 FT)	3000 M (10000 FT)
Spring	Yellow/Green (P/N 414 742 100)		Blue/Pink (P/N 414 916 300)			
Ramp	413 (P/N 417 222 508)					
Calibration Screw Position	2	3	2	3	4	5
Pin	Long solid 35.75 mm/18.8 g (P/N 417 222 594)		Long threaded 35.75 mm/12.4 g (P/N 417 222 595) 1 set screw/12 mm (P/N 206 261 299)			
Engagement RPM $\pm$ 100	3800		3900	4000		4100
Maximum RPM $\pm$ 100	7900					

## Driven Pulley

	SEA LEVEL 0 M (0 FT)	600 M (2000 FT)	1200 M (4000 FT)	1800 M (6000 FT)	2400 M (8000 FT)	3000 M (10000 FT)
Spring	White (P/N 417 127 243)					
Spring tension Kg $\pm$ 0.7 (lb $\pm$ 1.5)	N/A					
Cam angle (degrees)	40° (P/N 417 127 386)					

**TUNDRA SPORT 600 ACE /  
TUNDRA LT 600 ACE /  
EXPEDITION SPORT 600 ACE /  
RENEGADE SPORT 600 ACE**

**Drive Pulley**

	SEA LEVEL 0 M (0 FT)	600 M (2000 FT)	1200 M (4000 FT)	1800 M (6000 FT)	2400 M (8000 FT)	3000 M (10000 FT)
Spring	Red/White (P/N 417 223 747)	Red/Red (P/N 417 223 745)	Red/Yellow (P/N 417 223 748)	Red/White (P/N 417 223 747)		Red/Red (P/N 417 223 745)
Ramp	716 (P/N 417 223 450)			725 (P/N 417 223 601)		
Ramp quantity	6					
Engagement RPM ± 100	2200					
Maximum RPM ± 100	7250					

**Driven Pulley**

	SEA LEVEL 0 M (0 FT)	600 M (2000 FT)	1200 M (4000 FT)	1800 M (6000 FT)	2400 M (8000 FT)	3000 M (10000 FT)
Spring	Pink 3 (P/N 417 127 344)					
Spring tension Kg ± 0.7 (lb ± 1.5)	6.4 kgf (14.1 lbf)					
Cam angle (degrees)	41°-45° (P/N 417 127 235)					

# GRAND TOURING SPORT 600 ACE / MX Z SPORT 600 ACE

## Drive Pulley

	SEA LEVEL 0 M (0 FT)	600 M (2000 FT)	1200 M (4000 FT)	1800 M (6000 FT)	2400 M (8000 FT)	3000 M (10000 FT)
Spring	80 - 150 Red/Red (P/N 417 223 745)	Red/Yellow (P/N 417 223 748)	Red/Orange (P/N 417 223 749)	Red/White (P/N 417 223 747)		Red/Red (P/N 417 223 745)
Ramp	715 (P/N 417 223 452)		725 (P/N 417 223 601)			
Ramp quantity	6					
Engagement RPM $\pm$ 100	2200					
Maximum RPM $\pm$ 100	7250					

## Driven Pulley

	SEA LEVEL 0 M (0 FT)	600 M (2000 FT)	1200 M (4000 FT)	1800 M (6000 FT)	2400 M (8000 FT)	3000 M (10000 FT)
Spring	Pink 3 (P/N 417 127 344)					
Spring tension Kg $\pm$ 0.7 (lb $\pm$ 1.5)	6.4 kgf (14.1 lbf)					
Cam angle (degrees)	41°-45° (P/N 417 127 235)					

# SKANDIC WT 600 ACE

## Drive Pulley

	SEA LEVEL 0 M (0 FT)	600 M (2000 FT)	1200 M (4000 FT)	1800 M (6000 FT)	2400 M (8000 FT)	3000 M (10000 FT)
Spring	Red/White (P/N 417 223 314)	Red/Red (P/N 417 223 186)	Red/White (P/N 417 223 314)	Red/Red (P/N 417 223 186)	Red/Yellow (P/N 417 223 315)	Red/Orange (P/N 417 223 316)
Ramp	716 (P/N 417 223 450)		725 (P/N 417 223 601)			
Ramp quantity	6					
Engagement RPM $\pm$ 100	2200					
Maximum RPM $\pm$ 100	7250					

## Driven Pulley

	SEA LEVEL 0 M (0 FT)	600 M (2000 FT)	1200 M (4000 FT)	1800 M (6000 FT)	2400 M (8000 FT)	3000 M (10000 FT)
Spring	Pink 3 (P/N 417 127 344)					
Spring tension Kg $\pm$ 0.7 (lb $\pm$ 1.5)	6.4 kgf (14.1 lbf)					
Cam angle (degrees)	37°-45° (P/N 417 127 240)					

**GRAND TOURING LE 1200 4-TEC /  
 GRAND TOURING SE 1200 4-TEC /  
 MX Z TNT 1200 4-TEC /  
 MX Z X 1200 4-TEC /  
 MX Z BLIZZARD 1200 4-TEC /  
 RENEGADE ADRENALINE 1200 4-TEC /  
 RENEGADE X 1200 4-TEC /  
 RENEGADE ENDURO 1200 4-TEC**

**Drive Pulley**

	SEA LEVEL 0 M (0 FT)	600 M (2000 FT)	1200 M (4000 FT)	1800 M (6000 FT)	2400 M (8000 FT)	3000 M (10000 FT)
Spring		Yellow/Orange (P/N 417 223 746)	Red/White (P/N 417 223 747)	Yellow/Red (P/N 417 223 751)		Yellow/Orange (P/N 417 223 746)
Ramp		749 (P/N 417 224 103)		750 (P/N 417 224 105)		
Engagement RPM $\pm$ 100	2200					
Maximum RPM $\pm$ 100	7900					

**Driven Pulley**

	SEA LEVEL 0 M (0 FT)	600 M (2000 FT)	1200 M (4000 FT)	1800 M (6000 FT)	2400 M (8000 FT)	3000 M (10000 FT)
Spring		Red/Red (P/N 417 127 467)				
Spring tension Kg $\pm$ 0.7 (lb $\pm$ 1.5)		7 kg (15.4 lb)				
Cam angle (degrees)		44° - 40° (P/N 417 127 476)				

# EXPEDITION LE 1200 4-TEC / EXPEDITION SE 1200 4-TEC

## Drive Pulley

	SEA LEVEL 0 M (0 FT)	600 M (2000 FT)	1200 M (4000 FT)	1800 M (6000 FT)	2400 M (8000 FT)	3000 M (10000 FT)
Spring		Yellow/Red (P/N 417 223 751)	Red/White (P/N 417 223 747)		Yellow/Red (P/N 417 223 751)	Yellow/Orange (P/N 417 223 746)
Ramp		749 (P/N 417 224 103)	750 (P/N 417 224 105)			
Engagement RPM $\pm$ 100	2200					
Maximum RPM $\pm$ 100	7900					

## Driven Pulley

	SEA LEVEL 0 M (0 FT)	600 M (2000 FT)	1200 M (4000 FT)	1800 M (6000 FT)	2400 M (8000 FT)	3000 M (10000 FT)
Spring		Pink 4 (P/N 417 127 421)				
Spring tension Kg $\pm$ 0.7 (lb $\pm$ 1.5)		7 kg (15.4 lb)				
Cam angle (degrees)		44° - 40 (P/N 417 127 424)				

**EXPEDITION SPORT 900 ACE /  
 GRAND TOURING LE 900 ACE /  
 MX Z TNT 900 ACE /  
 MX Z BLIZZARD 900 ACE /  
 RENEGADE ADRENALINE 900 ACE /  
 RENEGADE ENDURO 900 ACE**

**Drive Pulley**

	SEA LEVEL 0 M (0 FT)	600 M (2000 FT)	1200 M (4000 FT)	1800 M (6000 FT)	2400 M (8000 FT)	3000 M (10000 FT)
Spring		Yellow/Red (P/N 417 223 751)	Yellow/Orange (P/N 417 223 746)	Yellow/Red (P/N 417 223 751)	Yellow/Orange (P/N 417 223 746)	Yellow/Orange (P/N 417 223 746)
Ramp		749 (P/N 417 224 103)	751 (P/N 417 224 107)			
Engagement RPM $\pm$ 100	2200					
Maximum RPM $\pm$ 100	7250					

**Driven Pulley**

	SEA LEVEL 0 M (0 FT)	600 M (2000 FT)	1200 M (4000 FT)	1800 M (6000 FT)	2400 M (8000 FT)	3000 M (10000 FT)
Spring		Red/Red (P/N 417 127 467)				
Spring tension Kg $\pm$ 0.7 (lb $\pm$ 1.5)		7 kg (15.4 lb)				
Cam angle (degrees)		47° - 40° (P/N 417 127 474)				

# SKANDIC WT 900 ACE / SKANDIC SWT 900 ACE / EXPEDITION LE 900 ACE / EXPEDITION SE 900 ACE

## Drive Pulley

	SEA LEVEL 0 M (0 FT)	600 M (2000 FT)	1200 M (4000 FT)	1800 M (6000 FT)	2400 M (8000 FT)	3000 M (10000 FT)
Spring		Yellow/Red (P/N 417 223 751)	Yellow/Orange (P/N 417 223 746)	Yellow/Red (P/N 417 223 751)	Yellow/Red (P/N 417 223 751)	Yellow/Orange (P/N 417 223 746)
Ramp		740 (P/N 417 223 679)	742 (P/N 417 223 918)			
Engagement RPM $\pm$ 100	2200					
Maximum RPM $\pm$ 100	7250					

## Driven Pulley

	SEA LEVEL 0 M (0 FT)	600 M (2000 FT)	1200 M (4000 FT)	1800 M (6000 FT)	2400 M (8000 FT)	3000 M (10000 FT)
Spring	Orange/ Orange (P/N 417 127 434)					
Spring tension Kg $\pm$ 0.7 (lb $\pm$ 1.5)	7 kg (15.4 lb)					
Cam angle (degrees)	44° - 40° (P/N 417 127 412)					

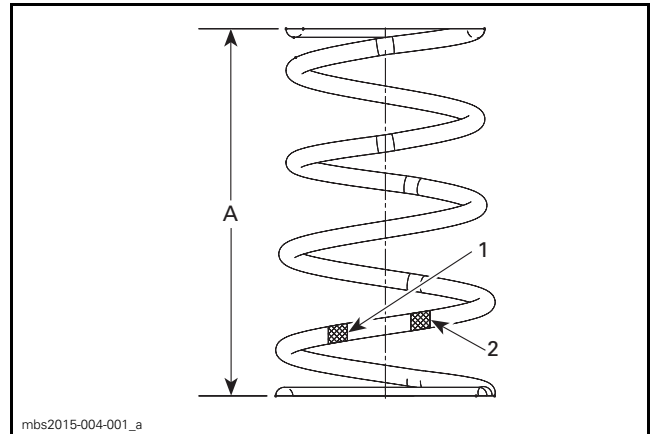


# OPTIONAL DRIVE PULLEY SPRING RATES AND SPECIFICATIONS

The springs for eDrive™ I and eDrive II pulleys are different.

- eDrive I: cone shaped springs
- eDrive II: straight shaped springs.

The springs for TRA pulleys can not be installed on eDrive II.



TYPICAL - COLOR CODE

1. 1<sup>st</sup> color
2. 2<sup>nd</sup> color

## eDrive I (550F)

SPRING SPECIFICATIONS							
PART NUMBER	WIRE DIA.	FREE LENGHT	LOAD ± 10% WHEN "A" = 60.6 MM		LOAD ± 10% WHEN "A" = 28 MM		COLOR CODE
	MM		N	LBS	N	LBS	
417 223 186	4.50	96.0	356	80	667	150	Red / Red
417 223 223	4.80	130.0	489	110	845	190	Yellow / Orange
417 223 314	4.30	114.7	356	80	578	130	Red / White
417 223 315	4.80	90.4	356	80	756	170	Red / Yellow
417 223 316	4.95	84.7	356	80	845	190	Red / Orange
417 223 459	5.08	81.7	356	80	934	210	Red / Green
417 223 536	4.30	125	445	100	667	150	Yellow / Red

## eDrive II (600 ACE / 900 ACE / 1200 4-TEC)

SPRING SPECIFICATIONS							
PART NUMBER	WIRE DIA.	FREE LENGHT	LOAD ± 10% WHEN "A" = 60.6 MM		LOAD ± 10% WHEN "A" = 28 MM		COLOR CODE
	MM		N	LBS	N	LBS	
417 223 745	4.50	97.9	356	80	667	150	Red / Red
417 223 746	4.50	105.4	489	110	845	190	Yellow / Orange
417 223 747	4.30	108.0	356	80	600	135	Red / White
417 223 748	4.80	87.3	355	80	789	177	Red / Yellow
417 223 749	4.80	84.3	355	80	845	190	Red / Orange
417 223 750	5.0	80.5	355	80	934	210	Red / Green
417 223 751	4.30	120.0	446	100	690	155	Yellow / Red