



SERVICE BULLETIN

June 2016

Subject: **High Altitude / Sea Level Specifications**

No. **2017-2**

REVISION ►1
September 2016◀

►TEXT(S) BETWEEN ARROWS IS (ARE) MODIFIED ELEMENT(S) TO THE PREVIOUS PUBLICATION.◀

YEAR	MODEL
2017	All Ski-Doo

TABLE OF CONTENTS

	Page		Page
GENERAL INFORMATION	4	Driven Pulley	12
Previous Model Year Vehicles	4	Carburation	13
Reverse Connector	4	Main Jet Chart	13
Table Format	4	SUMMIT™ SPORT 146" 600	14
Sea Level Calibration Kit	4	Drive Pulley	14
EXPEDITION® SPORT 550F /TUNDRA™		Driven Pulley	14
SPORT 550F /TUNDRA LT 550F	5	Carburation	15
Drive Pulley	5	Main Jet Chart	15
Driven Pulley	5	Vehicle Calibration	16
Carburation	6	EXPEDITION LE 600 HO E-TEC®	
Main Jet Chart	6	/EXPEDITION SE 600 HO E-TEC	17
Additional Information	7	Drive Pulley	17
SKANDIC WT 550F	8	Driven Pulley	17
Drive Pulley	8	SKANDIC WT 600 HO E-TEC /SKANDIC	
Driven Pulley	8	SWT 600 HO E-TEC	18
Carburation	9	Drive Pulley	18
Main Jet Chart	9	Driven Pulley	18
MX Z™ SPORT 600	10	GRAND TOURING LE 600 HO E-TEC ...	19
Drive Pulley	10	Drive Pulley	19
Driven Pulley	10	Driven Pulley	19
Carburation	11	MX Z™ TNT 600 HO E-TEC /MX Z	
Main Jet Chart	11	BLIZZARD™ 600 HO E-TEC /MX Z X™	
RENEGADE™ SPORT 600	12	600 HO E-TEC /MX Z X-RS™ 600 HO	
Drive Pulley	12	E-TEC /RENEGADE™ ADRENALINE™ 600	
		HO E-TEC /RENEGADE ENDURO 600 HO	

E-TEC /RENEGADE BACKCOUNTRY™ 600 HO E-TEC /RENEGADE X 600 HO E-TEC /RENEGADE X-RS 600 HO E-TEC..... 20

Drive Pulley..... 20
 Driven Pulley 20

TUNDRA Xtreme 600 HO E-TEC..... 21

Drive Pulley..... 21
 Driven Pulley 21
 Vehicle Calibration 21

SUMMIT SP 146" AND 154" 600 HO E-TEC (CAN/USA) 22

Drive Pulley..... 22
 Driven Pulley 22
 Vehicle Calibration 22

SUMMIT SP 146" AND 154" 600 HO E-TEC (EUROPE) 23

Drive Pulley..... 23
 Driven Pulley 23
 Vehicle Calibration 23

FREERIDE™ 137" 800R E-TEC (EUROPE)(Track with profile of 57 mm (2-1/4 in)) 24

Drive Pulley..... 24
 Driven Pulley 24
 Vehicle Calibration 24

FREERIDE 146" AND 154" 800R E-TEC SEA-LEVEL /SUMMIT BURTON 154" 800R E-TEC SEA-LEVEL (EUROPE) 25

Drive Pulley..... 25
 Driven Pulley 25
 Vehicle Calibration 25
 Chaincase Gears..... 25

FREERIDE 146" AND 154" 800R E-TEC HIGH ALTITUDE /SUMMIT BURTON 154" 800R E-TEC (CAN / USA) /SUMMIT SP 146" 800R E-TEC HIGH ALTITUDE(Track with profile of 63.5 mm (2-1/2 in))..... 27

Drive Pulley..... 27
 Driven Pulley 27
 Vehicle Calibration 27
 Chaincase Gears..... 28

SUMMIT X 174" 800R E-TEC HIGH ALTITUDE(Track with profile of 76.2 mm (3 in)) /SUMMIT SP 163" AND 174" 800R E-TEC HIGH ALTITUDE(Track with profile of 76.2 mm (3 in)) 30

Drive Pulley..... 30
 Driven Pulley 30
 Vehicle Calibration 30
 Chaincase Gears..... 31

MX Z BLIZZARD 800R E-TEC /MX Z X-RS 800R E-TEC / 33

Drive Pulley..... 33
 Driven Pulley 33

RENEGADE ENDURO 800R E-TEC 34

Drive Pulley..... 34
 Driven Pulley 34

FREERIDE 137" 800R E-TEC (Track profile of 44.5 mm (1-3/4 in)) /RENEGADE BACKCOUNTRY 800R E-TEC /RENEGADE BACKCOUNTRY X 800R E-TEC /RENEGADE X-RS 800R E-TEC (EUROPE) (Track with profile of 44.5 mm (1-3/4 in)) 35

Drive Pulley..... 35
 Driven Pulley 35

►EXPEDITION Xtreme 800R E-TEC (CAN / USA)..... 36

Drive Pulley..... 36
 Driven Pulley 36

►EXPEDITION Xtreme 800R E-TEC (EUROPE)◀ 37

Drive Pulley..... 37
 Driven Pulley 37

SUMMIT X 154" AND 165" 850 E-TEC SEA-LEVEL /SUMMIT SP 154" AND 165" 850 E-TEC SEA-LEVEL 38

Drive Pulley..... 38
 Driven Pulley 38
 Vehicle Calibration 38
 Chaincase Gears..... 38

SUMMIT X 154" AND 165" 850 E-TEC HIGH ALTITUDE /SUMMIT SP 154" AND 165" 850R E-TEC HIGH ALTITUDE..... 40

Drive Pulley..... 40
 Driven Pulley 40
 Vehicle Calibration 40
 Chaincase Gears..... 40

MX Z TNT 850 E-TEC /MX Z X 850 E-TEC..... 42

Drive Pulley..... 42
 Driven Pulley 42

RENEGADE ADRENALINE 850 E-TEC /RENEGADE X 850 E-TEC 43

Drive Pulley..... 43
 Driven Pulley 43

TUNDRA SPORT 600 ACE /TUNDRA LT 600 ACE /EXPEDITION SPORT 600 ACE /RENEGADE SPORT 600 ACE 44

Drive Pulley.....	44
Driven Pulley	44
GRAND TOURING SPORT 600 ACE /MX Z SPORT 600 ACE.....	45
Drive Pulley.....	45
Driven Pulley	45
SKANDIC WT 600 ACE	46
Drive Pulley.....	46
Driven Pulley	46
EXPEDITION SPORT 900 ACE /GRAND TOURING LE 900 ACE /GRAND TOURING SE 900 ACE /MX Z TNT 900 ACE /MX Z BLIZZARD 900 ACE /RENEGADE ADRENALINE 900 ACE /RENEGADE ENDURO 900 ACE.....	47
Drive Pulley.....	47
Driven Pulley	47
SKANDIC WT 900 ACE /SKANDIC SWT 900 ACE /EXPEDITION LE 900 ACE /EXPEDITION SE 900 ACE	48
Drive Pulley.....	48
Driven Pulley	48
MX Z TNT 1200 4-TEC /MX Z X 1200 4-TEC /MX Z BLIZZARD 1200 4-TEC /RENEGADE ADRENALINE 1200 4-TEC /RENEGADE X 1200 4-TEC /RENEGADE ENDURO 1200 4-TEC.....	49
Drive Pulley.....	49
Driven Pulley	49
GRAND TOURING LE 1200 4-TEC /GRAND TOURING SE 1200 4-TEC /.....	50
Drive Pulley.....	50
Driven Pulley	50
EXPEDITION LE 1200 4-TEC /EXPEDITION SE 1200 4-TEC	51
Drive Pulley.....	51
Driven Pulley	51
OPTIONAL DRIVE PULLEY SPRING RATES AND SPECIFICATIONS	52
eDrive II (900 ACE / 1200 4-TEC) and eDrive II LC (550F / 600 ACE)	52

GENERAL INFORMATION

Previous Model Year Vehicles

This bulletin supplies all the information required to modify current year vehicles for high altitude and/or sea level riding.

MODEL YEAR	LATEST REVISION OF BULLETIN NO.
2017	2017-2
2016	2016-5
2015	2015-5
2014	2014-4
2013	2013-2

NOTE: Throughout this entire document, shaded areas give factory settings (that could apply through different altitudes) while N/A stands for "not applicable".

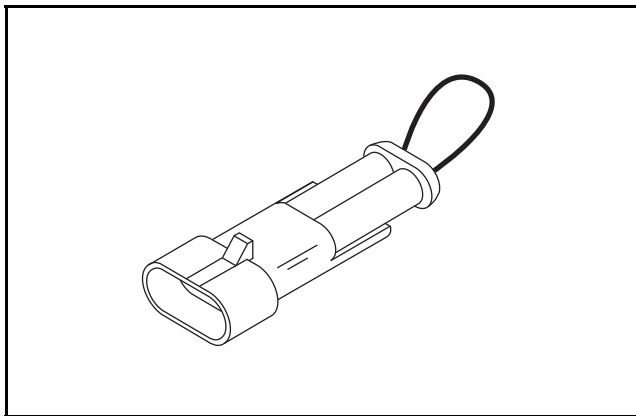
NOTICE The following modifications and adjustments apply for high altitude operation as well as sea level operation.

PARTS AND LABOR COST ARE NOT COVERED BY BRP LIMITED WARRANTY.

Reverse Connector

The reverse connector (P/N 515174700) is used at 1 800 m (6,000 ft) altitude and higher for all FAN cooled models with electronic reverse device. To use Reverse Connector proceed as follows:

1. Unplug existing sea level cap from the ECM.
2. Plug-in the reverse connector.



REVERSE CONNECTOR

Table Format

The shady portions of the table indicate factory settings.

ALTITUDE	
Part to be modified	Recommended Adjustment

Sea Level Calibration Kit

When the high altitude calibration must be modified to sea level calibration on Freeride™ and Summit™ models (146" and up), the following kits may be used. These kits include all required parts to set-up the vehicle.

MODEL	PART NUMBER
Freeride and Summit 800R E-TEC	
All	860201418
Summit 850 E-TEC	
154" et 165"	860201284

Kit Description

SEA LEVEL CALIBRATION KIT (P/N 860201418)			
DESCRIPTION		PART NUMBER	QTY
Drive pulley	Ramp 413	417222508	3
	Long solid pin 35,75 mm/18,8 g	417222594	3
	Cotter pin	250400060	3
	Spring (Blue/Yellow)	414689500	1
	M14 spring washer	250200006	1
Driven pulley	Spring (Black)	417127039	1

SEA LEVEL CALIBRATION KIT (P/N 860201284)			
DESCRIPTION		PART NUMBER	QTY
Drive pulley	Ramp 951	417224038	3
	Pivot 33 mm	417224116	3
	Spring (Blue/Yellow)	417224015	1
Driven pulley	Spring (Black)	417127039	1

EXPEDITION® SPORT 550F / TUNDRA™ SPORT 550F / TUNDRA LT 550F

Drive Pulley

	SEA LEVEL 0 M (0 FT)	600 M (2000 FT)	1200 M (4000 FT)	1800 M (6000 FT)	2400 M (8000 FT)	3000 M (10000 FT)
Spring	Red/Yellow (P/N 417 223748)	► Red/Green (P/N 417 223750)	Red/Red (P/N 417 223745)	Red/Yellow (P/N 417 223748)	Red/Orange (P/N 417 223749)	Red/Green (P/N 417 223750) ◀
Ramp	700 (P/N 417223604)		734 (P/N 417223678)			
Ramp quantity	6					
Engagement RPM ± 100	2600					
Maximum RPM ± 100	6800					

Driven Pulley

	SEA LEVEL 0 M (0 FT)	600 M (2000 FT)	1200 M (4000 FT)	1800 M (6000 FT)	2400 M (8000 FT)	3000 M (10000 FT)
Spring	Brown (P/N 417127061)					
Spring tension Kg ± 0.7 (lb ± 1.5)	N/A					
Cam angle (degrees)	44° (P/N 417127011)					

Carburation

NOTICE These adjustments are guidelines only. Specific adjustments vary with temperature, altitude and snow condition. Always observe spark plug condition for proper jetting.

		SEA LEVEL 0 M (0 FT)	600 M (2000 FT)	1200 M (4000 FT)	1800 M (6000 FT)	2400 M (8000 FT)	3000 M (10000 FT)	
Main jet	MAG	190	180	170	160	140	130	1
	PTO	200	190					1
Jet needle		6BFY46						2
MAG needle position		3			2			—
PTO needle position		4			2			
Slide cut-away		2.5						2
Pilot jet		35			45		55	2
MAG mixture screw		1.25						—
PTO mixture screw		1			1.25			
Valve seat		1.2						2
Needle jet		P-8 (159)				P-6 (159)		2
Float level (± 1 mm)		23.9						—
Idle RPM (± 200)		1650						—
Idle throttle valve position (± 0.1 mm)		1.6		1.8	2	2.2	2.4	—

Main Jet Chart

		SEA LEVEL 0 M (0 FT)	600 M (2000 FT)	1200 M (4000 FT)	1800 M (6000 FT)	2400 M (8000 FT)	3000 M (10000 FT)
-40°C (-40°F)	MAG	200	190	180	170	150	140
	PTO	210	200				
-30°C (-22°F)	MAG	195	185	175	165	145	135
	PTO	205	195				
-20°C (-4°F)	MAG	190	180	170	160	140	130
	PTO	200	190				
-10°C (14°F)	MAG	185	175	165	155	135	125
	PTO	195	185				
0°C (32°F)	MAG	180	170	160	150	130	120
	PTO	190	180				
10°C (50°F)	MAG	175	165	155	145	125	115
	PTO	185	175				
20°C (68°F)	MAG	170	160	150	140	120	110
	PTO	180	170				

Additional Information

	SEA LEVEL 0 M (0 FT)	600 M (2000 FT)	1200 M (4000 FT)	1800 M (6000 FT)	2400 M (8000 FT)	3000 M (10000 FT)
Reverse connector		(P/N 515174800)			(P/N 515174700) Connect to ECM	

SKANDIC WT 550F

Drive Pulley

	SEA LEVEL 0 M (0 FT)	600 M (2000 FT)	1200 M (4000 FT)	1800 M (6000 FT)	2400 M (8000 FT)	3000 M (10000 FT)
Spring	Red/Yellow (P/N 417 223748)	▶ Red/Green (P/N 417 223750)	Red/Red (P/N 417 223745)	Red/Yellow (P/N 417 223748)	Red/Orange (P/N 417 223749)	Red/Green (P/N 417 223750) ◀
Ramp	700 (P/N 417223604)		734 (P/N 417223678)			
Ramp quantity	6					
Engagement RPM ± 100	2600					
Maximum RPM ± 100	6800					

Driven Pulley

	SEA LEVEL 0 M (0 FT)	600 M (2000 FT)	1200 M (4000 FT)	1800 M (6000 FT)	2400 M (8000 FT)	3000 M (10000 FT)
Spring	Pink 2 (P/N 417127236)					
Spring tension Kg ± 0.7 (lb ± 1.5)	6.4 kgf (14.1 lbf)					
Cam angle (degrees)	47° - 44° (P/N 417127148)					

Carburation

NOTICE These adjustments are guidelines only. Specific adjustments vary with temperature, altitude and snow condition. Always observe spark plug condition for proper jetting.

		SEA LEVEL 0 M (0 FT)	600 M (2000 FT)	1200 M (4000 FT)	1800 M (6000 FT)	2400 M (8000 FT)	3000 M (10000 FT)	
Main jet	MAG	190	180	170	160	150	140	1
	PTO	200						1
Jet needle		6BFY46						2
MAG needle position	3	2			1			—
PTO needle position	4							
Slide cut-away		2.0						2
Pilot jet		35	40					2
MAG mixture screw		2.5			2			—
PTO mixture screw		1						
Valve seat		1.2						2
Needle jet		P-8 (159)						2
Float level (± 1 mm)		23.9						—
Idle RPM (± 200)		1650						—
Idle throttle valve position (± 0.1 mm)		1.5	1.7	1.8	2	2.1	2.2	—

Main Jet Chart

		SEA LEVEL 0 M (0 FT)	600 M (2000 FT)	1200 M (4000 FT)	1800 M (6000 FT)	2400 M (8000 FT)	3000 M (10000 FT)
-40°C (-40°F)	MAG	210	200	190	180	170	160
	PTO						
-30°C (-22°F)	MAG	200	190	180	170	160	150
	PTO						
-20°C (-4°F)	MAG	190	180	170	160	150	140
	PTO						
-10°C (14°F)	MAG	180	170	160	150	140	130
	PTO						
0°C (32°F)	MAG	170	160	150	140	130	120
	PTO						
10°C (50°F)	MAG	160	150	140	130	120	110
	PTO						
20°C (68°F)	MAG	150	140	130	120	110	100
	PTO						

MX Z™ SPORT 600

Drive Pulley

	SEA LEVEL 0 M (0 FT)	600 M (2000 FT)	1200 M (4000 FT)	1800 M (6000 FT)	2400 M (8000 FT)	3000 M (10000 FT)
Spring	Purple/Purple (P/N 414817900)			Pink/Purple (P/N 414754200)		
Ramp	412 (P/N 417222515)					
Calibration Screw Position	3	4	5	4	5	6
Pin	Short solid 32 mm/16,75 g (P/N 417004308)			Short no thread 32 mm/9,9 g (P/N 417004309)		
Engagement RPM \pm 100	3800			3900	4100	
Maximum RPM \pm 100	8100					

Driven Pulley

	SEA LEVEL 0 M (0 FT)	600 M (2000 FT)	1200 M (4000 FT)	1800 M (6000 FT)	2400 M (8000 FT)	3000 M (10000 FT)
Spring	Black (P/N 417127039)					
Spring tension Kg \pm 0.7 (lb \pm 1.5)	N/A					
Cam angle (degrees)	42° (P/N 417127012)					

Carburation

NOTICE These adjustments are guidelines only. Specific adjustments vary with temperature, altitude and snow condition. Always observe spark plug condition for proper jetting.

		SEA LEVEL 0 M (0 FT)	600 M (2000 FT)	1200 M (4000 FT)	1800 M (6000 FT)	2400 M (8000 FT)	3000 M (10000 FT)	
Main jet	MAG	390	370	350	330	300	280	1
	PTO							1
Jet needle		9CEY2-58						2
Needle position		2						—
Slide cut-away		2.0						2
Pilot jet		17.5						2
Mixture screw		1.5			2			—
Valve seat		1.5						2
Needle jet		P-0M						2
Float level (± 1 mm)		N/A						—
Idle RPM (± 200)		1600						—
Idle throttle valve position (± 0.1 mm)		1.5	1.6	1.7	1.8	1.9		—

Main Jet Chart

		SEA LEVEL 0 M (0 FT)	600 M (2000 FT)	1200 M (4000 FT)	1800 M (6000 FT)	2400 M (8000 FT)	3000 M (10000 FT)
-40°C (-40°F)	MAG	410	390	370	350	320	300
	PTO						
-30°C (-22°F)	MAG	400	380	360	340	310	290
	PTO						
-20°C (-4°F)	MAG	390	370	350	330	300	280
	PTO						
-10°C (14°F)	MAG	380	360	340	320	290	270
	PTO						
0°C (32°F)	MAG	370	350	330	310	280	260
	PTO						
10°C (50°F)	MAG	360	340	320	300	270	250
	PTO						
20°C (68°F)	MAG	350	330	310	290	260	240
	PTO						

RENEGADE™ SPORT 600

Drive Pulley

	SEA LEVEL 0 M (0 FT)	600 M (2000 FT)	1200 M (4000 FT)	1800 M (6000 FT)	2400 M (8000 FT)	3000 M (10000 FT)
Spring	Blue/Purple (P/N 414817900)			Pink/Purple (P/N 414754200)		
Ramp	412 (P/N 417222515)					
Calibration Screw Position	3	4	5	4	5	6
Pin	Short solid 32 mm/16,75 g (P/N 417004308)			Short no thread 32 mm/9,9 g (P/N 417004309)		
Engagement RPM \pm 100	3400			4100		
Maximum RPM \pm 100	8100					

Driven Pulley

	SEA LEVEL 0 M (0 FT)	600 M (2000 FT)	1200 M (4000 FT)	1800 M (6000 FT)	2400 M (8000 FT)	3000 M (10000 FT)
Spring	Black (P/N 417127039)					
Spring tension Kg \pm 0.7 (lb \pm 1.5)	N/A					
Cam angle (degrees)	42° (P/N 417127012)					

Carburation

NOTICE These adjustments are guidelines only. Specific adjustments vary with temperature, altitude and snow condition. Always observe spark plug condition for proper jetting.

		SEA LEVEL 0 M (0 FT)	600 M (2000 FT)	1200 M (4000 FT)	1800 M (6000 FT)	2400 M (8000 FT)	3000 M (10000 FT)	
Main jet	MAG	390	370	350	330	300	280	1
	PTO							1
Jet needle		9CEY2-58						2
Needle position		2						—
Slide cut-away		2.0						2
Pilot jet		17.5						2
Mixture screw		1.5			2			—
Valve seat		1.5						2
Needle jet		P-0M						2
Float level (± 1 mm)		N/A						—
Idle RPM (± 200)		1600						—
Idle throttle valve position (± 0.1 mm)		1.5	1.6	1.7	1.8	1.9		—

Main Jet Chart

		SEA LEVEL 0 M (0 FT)	600 M (2000 FT)	1200 M (4000 FT)	1800 M (6000 FT)	2400 M (8000 FT)	3000 M (10000 FT)
-40°C (-40°F)	MAG	410	390	370	350	320	300
	PTO						
-30°C (-22°F)	MAG	400	380	360	340	310	290
	PTO						
-20°C (-4°F)	MAG	390	370	350	330	300	280
	PTO						
-10°C (14°F)	MAG	380	360	340	320	290	270
	PTO						
0°C (32°F)	MAG	370	350	330	310	280	260
	PTO						
10°C (50°F)	MAG	360	340	320	300	270	250
	PTO						
20°C (68°F)	MAG	350	330	310	290	260	240
	PTO						

SUMMIT™ SPORT 146" 600

Drive Pulley

	SEA LEVEL 0 M (0 FT)	600 M (2000 FT)	1200 M (4000 FT)	1800 M (6000 FT)	2400 M (8000 FT)	3000 M (10000 FT)
Spring	Blue/Pink (P/N 414916300)		Green/Pink (P/N 414756900)			
Ramp	417 (P/N 417222552)					
Calibration Screw Position	3	4	2	3	4	5
Pin	Short solid 32 mm/16,75 g (P/N 417004308)		Short threaded 32 mm/10,88 g (P/N 417222477) 1 x set screw 20 mm (P/N 206262099)		Short threaded 32 mm/10,88 g (P/N 417222477)	
Engagement RPM \pm 100	3400		4100			
Maximum RPM \pm 100	8100					

Driven Pulley

	SEA LEVEL 0 M (0 FT)	600 M (2000 FT)	1200 M (4000 FT)	1800 M (6000 FT)	2400 M (8000 FT)	3000 M (10000 FT)
Spring	Black (P/N 417127039)					
Spring tension Kg \pm 0.7 (lb \pm 1.5)	N/A					
Cam angle (degrees)	43° - 47° (P/N 417127133)					

Carburation

NOTICE These adjustments are guidelines only. Specific adjustments vary with temperature, altitude and snow condition. Always observe spark plug condition for proper jetting.

		SEA LEVEL 0 M (0 FT)	600 M (2000 FT)	1200 M (4000 FT)	1800 M (6000 FT)	2400 M (8000 FT)	3000 M (10000 FT)	
Main jet	MAG	390	370	350	330	300	280	1
	PTO							1
Jet needle		9CEY2-58						2
Needle position		2						—
Slide cut-away		2.0						2
Pilot jet		17.5						2
Mixture screw		1.5			2			—
Valve seat		1.5						2
Needle jet		P-0M						2
Float level (± 1 mm)		N/A						—
Idle RPM (± 200)		1600						—
Idle throttle valve position (± 0.1 mm)		1.5	1.6	1.7	1.8	1.9		—

Main Jet Chart

		SEA LEVEL 0 M (0 FT)	600 M (2000 FT)	1200 M (4000 FT)	1800 M (6000 FT)	2400 M (8000 FT)	3000 M (10000 FT)
-40°C (-40°F)	MAG	410	390	370	350	320	300
	PTO						
-30°C (-22°F)	MAG	400	380	360	340	310	290
	PTO						
-20°C (-4°F)	MAG	390	370	350	330	300	280
	PTO						
-10°C (14°F)	MAG	380	360	340	320	290	270
	PTO						
0°C (32°F)	MAG	370	350	330	310	280	260
	PTO						
10°C (50°F)	MAG	360	340	320	300	270	250
	PTO						
20°C (68°F)	MAG	350	330	310	290	260	240
	PTO						

Vehicle Calibration

	SEA LEVEL 0 M (0 FT)	600 M (2000 FT)	1200 M (4000 FT)	1800 M (6000 FT)	2400 M (8000 FT)	3000 M (10000 FT)
Stopper Strap		4		3		2

EXPEDITION LE 600 HO E-TEC® / EXPEDITION SE 600 HO E-TEC

Drive Pulley

	SEA LEVEL 0 M (0 FT)	600 M (2000 FT)	1200 M (4000 FT)	1800 M (6000 FT)	2400 M (8000 FT)	3000 M (10000 FT)
Spring	Yellow/Red (P/N 414993000)					
Ramp	600 (P/N 417222444)					
Calibration Screw Position	2	3	4	2	3	4
Pin	Long solid 35.75 mm/18,8 g (P/N 417222594)			Short threaded 32 mm/10,88 g (P/N 417222477) 1 X set screw 16 mm (P/N 206261699)		
Engagement RPM ± 100	3000					
Maximum RPM ± 100	8100					

Driven Pulley

	SEA LEVEL 0 M (0 FT)	600 M (2000 FT)	1200 M (4000 FT)	1800 M (6000 FT)	2400 M (8000 FT)	3000 M (10000 FT)
Spring	White 2 (P/N 417127243)					
Spring tension Kg ± 0.7 (lb ± 1.5)	6.8 kgf (15 lbf)					
Cam angle (degrees)	40° (P/N 417127411)					

SKANDIC WT 600 HO E-TEC / SKANDIC SWT 600 HO E-TEC

Drive Pulley

	SEA LEVEL 0 M (0 FT)	600 M (2000 FT)	1200 M (4000 FT)	1800 M (6000 FT)	2400 M (8000 FT)	3000 M (10000 FT)
Spring	Yellow/Red (P/N 414993000)					
Ramp	600 (P/N 417222444)					
Calibration Screw Position	2	3	4	2	3	4
Pin	Long solid 35.75 mm/18,8 g (P/N 417222594)			Short threaded 32 mm/10,88 g (P/N 417222477)		
Engagement RPM \pm 100	3000					
Maximum RPM \pm 100	8100					

Driven Pulley

	SEA LEVEL 0 M (0 FT)	600 M (2000 FT)	1200 M (4000 FT)	1800 M (6000 FT)	2400 M (8000 FT)	3000 M (10000 FT)
Spring	White 2 (P/N 417127243)					
Spring tension Kg \pm 0.7 (lb \pm 1.5)	6.8 kgf (15 lbf)					
Cam angle (degrees)	41° - 45° (P/N 417127459)					

GRAND TOURING LE 600 HO E-TEC

Drive Pulley

	SEA LEVEL 0 M (0 FT)	600 M (2000 FT)	1200 M (4000 FT)	1800 M (6000 FT)	2400 M (8000 FT)	3000 M (10000 FT)
Spring	Red/Green (P/N 414689200)			Blue/Yellow (P/N 414689500)		
Ramp	414 (P/N 417222546)					
Calibration Screw Position	3	4	5	3	4	5
Pin	Short solid 32 mm/16,75 g (P/N 417004308)			Short no thread 32 mm/9,9 g (P/N 417004309)		
Engagement RPM \pm 100	3400			3600		
Maximum RPM \pm 100	8100					

Driven Pulley

	SEA LEVEL 0 M (0 FT)	600 M (2000 FT)	1200 M (4000 FT)	1800 M (6000 FT)	2400 M (8000 FT)	3000 M (10000 FT)
Spring	Green (P/N 417127137)					
Spring tension Kg \pm 0.7 (lb \pm 1.5)	N/A					
Cam angle (degrees)	48° (P/N 417127083)			42° - 40° (P/N 417127106)		

MX Z™ TNT 600 HO E-TEC /
MX Z BLIZZARD™ 600 HO E-TEC /
MX Z X™ 600 HO E-TEC /
MX Z X-RS™ 600 HO E-TEC /
RENEGADE™ ADRENALINE™ 600 HO E-TEC /
RENEGADE ENDURO 600 HO E-TEC /
RENEGADE BACKCOUNTRY™ 600 HO E-TEC /
RENEGADE X 600 HO E-TEC /
RENEGADE X-RS 600 HO E-TEC

Drive Pulley

	SEA LEVEL 0 M (0 FT)	600 M (2000 FT)	1200 M (4000 FT)	1800 M (6000 FT)	2400 M (8000 FT)	3000 M (10000 FT)
Spring	Blue/Green (P/N 414817700)			Purple/Yellow (P/N 415015300)		
Ramp	412 (P/N 417222515)			417 (P/N 417222552)		
Calibration Screw Position	3	4	5	2	3	4
Pin	Short solid 32 mm/16,75 g (P/N 417004308)			Short threaded 32 mm/10.88 g (P/N 417222477)		
Engagement RPM ± 100	3400			3800		
Maximum RPM ± 100	8100					

Driven Pulley

	SEA LEVEL 0 M (0 FT)	600 M (2000 FT)	1200 M (4000 FT)	1800 M (6000 FT)	2400 M (8000 FT)	3000 M (10000 FT)
Spring	Green (P/N 417127137)					
Spring tension Kg ± 0.7 (lb ± 1.5)	N/A					
Cam angle (degrees)	48° (P/N 417127083)			40° (P/N 417126956)		

TUNDRA Xtreme 600 HO E-TEC

Drive Pulley

	SEA LEVEL 0 M (0 FT)	600 M (2000 FT)	1200 M (4000 FT)	1800 M (6000 FT)	2400 M (8000 FT)	3000 M (10000 FT)
Spring	Red/Orange (P/N 415015200)			Blue/Green (P/N 414817700)		
Ramp	417 (P/N 417222552)					
Calibration Screw Position	3	4	5	3	4	5
Pin	Short threaded 32 mm/10,88 g (P/N 417222477) 1 x set screw/16 mm (P/N 206261699)			Short threaded 32 mm/10,88 g (P/N 417222477)		
Engagement RPM \pm 100	2800			3800		
Maximum RPM \pm 100	8100					

Driven Pulley

	SEA LEVEL 0 M (0 FT)	600 M (2000 FT)	1200 M (4000 FT)	1800 M (6000 FT)	2400 M (8000 FT)	3000 M (10000 FT)
Spring	Black (P/N 417127039)					
Spring tension Kg \pm 0.7 (lb \pm 1.5)	N/A					
Cam angle (degrees)	44° - 42° (P/N 417126973)			41° - 45° (P/N 417127105)		

Vehicle Calibration

	SEA LEVEL 0 M (0 FT)	600 M (2000 FT)	1200 M (4000 FT)	1800 M (6000 FT)	2400 M (8000 FT)	3000 M (10000 FT)
Stopper Strap	3					
Rear suspension extension	Locked			Free		

SUMMIT SP 146" AND 154" 600 HO E-TEC (CAN/USA)

Drive Pulley

	SEA LEVEL 0 M (0 FT)	600 M (2000 FT)	1200 M (4000 FT)	1800 M (6000 FT)	2400 M (8000 FT)	3000 M (10000 FT)
Spring	Blue/Green (P/N 414817700)		Purple/Green (P/N 415015400)			
Ramp	412 (P/N 417222515)		440 (P/N 417223096)			
Calibration Screw Position	3	4	3	4	5	6
Pin	Short solid 32 mm/16,75 g (P/N 417004308)		Short threaded 32 mm/10,88 g (P/N 417 222477) 1 x set screw/16 mm (P/N 206 261699)	Short threaded 32 mm/10,88 g (P/N 417222477)		
Engagement RPM \pm 100	3400		4000			
Maximum RPM \pm 100	8100					

Driven Pulley

	SEA LEVEL 0 M (0 FT)	600 M (2000 FT)	1200 M (4000 FT)	1800 M (6000 FT)	2400 M (8000 FT)	3000 M (10000 FT)
Spring	Black (P/N 417127039)					
Spring tension Kg \pm 0.7 (lb \pm 1.5)	N/A					
Cam angle (degrees)	41° - 45° (P/N 417127105)					

Vehicle Calibration

	SEA LEVEL 0 M (0 FT)	600 M (2000 FT)	1200 M (4000 FT)	1800 M (6000 FT)	2400 M (8000 FT)	3000 M (10000 FT)
Stopper Strap		4		3		2

SUMMIT SP 146" AND 154" 600 HO E-TEC (EUROPE)

Drive Pulley

	SEA LEVEL 0 M (0 FT)	600 M (2000 FT)	1200 M (4000 FT)	1800 M (6000 FT)	2400 M (8000 FT)	3000 M (10000 FT)
Spring	Blue/Green (P/N 414817700)		Purple/Green (P/N 415015400)			
Ramp	412 (P/N 417222515)		440 (P/N 417223096)			
Calibration Screw Position	3	4	3	4	5	6
Pin	Short solid 32 mm/16,75 g (P/N 417004308)		Short threaded 32 mm/10,88 g (P/N 417222477)			
Engagement RPM \pm 100	3400		4000			
Maximum RPM \pm 100	8100					

Driven Pulley

	SEA LEVEL 0 M (0 FT)	600 M (2000 FT)	1200 M (4000 FT)	1800 M (6000 FT)	2400 M (8000 FT)	3000 M (10000 FT)
Spring	Black (P/N 417127039)					
Spring tension Kg \pm 0.7 (lb \pm 1.5)	N/A					
Cam angle (degrees)	41° - 45° (P/N 417127105)					

Vehicle Calibration

	SEA LEVEL 0 M (0 FT)	600 M (2000 FT)	1200 M (4000 FT)	1800 M (6000 FT)	2400 M (8000 FT)	3000 M (10000 FT)
Stopper Strap		4		3		2

FREERIDE™ 137" 800R E-TEC (EUROPE)

(Track with profile of 57 mm (2-1/4 in))

Drive Pulley

	SEA LEVEL 0 M (0 FT)	600 M (2000 FT)	1200 M (4000 FT)	1800 M (6000 FT)	2400 M (8000 FT)	3000 M (10000 FT)
Spring	Purple/Blue (P/N 415034900)		Purple/Pink (P/N 414949500)			
Ramp	413 (P/N 417222508)		441 (P/N 417223098)			
Calibration Screw Position	3	4	3	4	5	6
Pin	Long solid 35.75 mm/18,8 g (P/N 417222594)		Long threaded 35,75 mm/12,4 g (P/N 417222595) 1 set screw/12 mm (P/N 206261299)			
Engagement RPM ± 100	3800		3900	4000		4100
Maximum RPM ± 100	7900					

Driven Pulley

	SEA LEVEL 0 M (0 FT)	600 M (2000 FT)	1200 M (4000 FT)	1800 M (6000 FT)	2400 M (8000 FT)	3000 M (10000 FT)
Spring	Blue (P/N 417127118)					
Spring tension Kg ± 0.7 (lb ± 1.5)	N/A					
Cam angle (degrees)	40° (P/N 417126956)					

Vehicle Calibration

	SEA LEVEL 0 M (0 FT)	600 M (2000 FT)	1200 M (4000 FT)	1800 M (6000 FT)	2400 M (8000 FT)	3000 M (10000 FT)
Stopper Strap		4		3		2

FREERIDE 146" AND 154" 800R E-TEC SEA-LEVEL / SUMMIT BURTON 154" 800R E-TEC SEA-LEVEL (EUROPE)

Drive Pulley

	SEA LEVEL 0 M (0 FT)	600 M (2000 FT)	1200 M (4000 FT)	1800 M (6000 FT)	2400 M (8000 FT)	3000 M (10000 FT)
Spring	Blue/Yellow (P/N 414689500)		Purple/Pink (P/N 414949500)			
Ramp	413 (P/N 417222508)		441 (P/N 417223098)			
Calibration Screw Position	2	3	2	3	4	5
Pin	Long solid 35.75 mm/18,8 g (P/N 417222594)		Long threaded 35,75 mm/12,4 g (P/N 417222595) 1 set screw/16 mm (P/N 206261699)		Long threaded 35,75 mm/12,4 g (P/N 417222595)	
Engagement RPM \pm 100	3800					
Maximum RPM \pm 100	7900					

Driven Pulley

	SEA LEVEL 0 M (0 FT)	600 M (2000 FT)	1200 M (4000 FT)	1800 M (6000 FT)	2400 M (8000 FT)	3000 M (10000 FT)
Spring	Black (P/N 417127039)					
Spring tension Kg \pm 0.7 (lb \pm 1.5)	N/A					
Cam angle (degrees)	40° (P/N 417126956)					

Vehicle Calibration

	SEA LEVEL 0 M (0 FT)	600 M (2000 FT)	1200 M (4000 FT)	1800 M (6000 FT)	2400 M (8000 FT)	3000 M (10000 FT)
Stopper Strap		4		3		2

Chaincase Gears

146" MODELS (FREERIDE EUROPE)						
	Sea level 0 M (0 FT)	600 M (2000 FT)	1200 M (4000 FT)	1800 M (6000 FT)	2400 M (8000 FT)	3000 M (10000 FT)
Upper gear	21 (P/N 504096200)					
Lower gear	49 (P/N 504152581)					
Chain	106 (P/N 504152630)					

146" MODELS (FREERIDE CAN / USA)						
	Sea level 0 M (0 FT)	600 M (2000 FT)	1200 M (4000 FT)	1800 M (6000 FT)	2400 M (8000 FT)	3000 M (10000 FT)
Upper gear		23 (P/N 504091000)		21 (P/N 504096200)		
Lower gear		51 (P/N 504152971)		49 (P/N 504152581)		
Chain		108 (P/N 504152631)		106 (P/N 504152630)		

154" MODELS (FREERIDE)						
	Sea level 0 M (0 FT)	600 M (2000 FT)	1200 M (4000 FT)	1800 M (6000 FT)	2400 M (8000 FT)	3000 M (10000 FT)
Upper gear		21 (P/N 504096200)		19 (P/N 504152030)		
Lower gear		49 (P/N 504152581)				
Chain		106 (P/N 504152630)		104 (P/N 504152629)		

154" MODELS (SUMMIT BURTON)						
	Sea level 0 M (0 FT)	600 M (2000 FT)	1200 M (4000 FT)	1800 M (6000 FT)	2400 M (8000 FT)	3000 M (10000 FT)
Upper gear		19 (P/N 504152030)				
Lower gear		49 (P/N 504152581)				
Chain		104 (P/N 504152629)				

FREERIDE 146" AND 154" 800R E-TEC HIGH ALTITUDE / SUMMIT BURTON 154" 800R E-TEC (CAN / USA) / SUMMIT SP 146" 800R E-TEC HIGH ALTITUDE (Track with profile of 63.5 mm (2-1/2 in))

Drive Pulley

	SEA LEVEL 0 M (0 FT)	600 M (2000 FT)	1200 M (4000 FT)	1800 M (6000 FT)	2400 M (8000 FT)	3000 M (10000 FT)
Spring	Blue/Yellow (P/N 414689500)		Purple/Pink (P/N 414949500)			
Ramp	413 (P/N 417222508)		441 (P/N 417223098)			
Calibration Screw Position	3	4	3	4	5	6
Pin	Long solid 35.75 mm/18,8 g (P/N 417222594)		Long threaded 35,75 mm/12,4 g (P/N 417 222595) 1 set screw/16 mm (P/N 206 261699)	Long threaded 35,75 mm/12,4 g (P/N 417222595)		
Engagement RPM ± 100	3000		3800			
Maximum RPM ± 100	7900					

Driven Pulley

	SEA LEVEL 0 M (0 FT)	600 M (2000 FT)	1200 M (4000 FT)	1800 M (6000 FT)	2400 M (8000 FT)	3000 M (10000 FT)
Spring	Blue (P/N 417127118)					
Spring tension Kg ± 0.7 (lb ± 1.5)	N/A					
Cam angle (degrees)	40° (P/N 417126956)					

Vehicle Calibration

	SEA LEVEL 0 M (0 FT)	600 M (2000 FT)	1200 M (4000 FT)	1800 M (6000 FT)	2400 M (8000 FT)	3000 M (10000 FT)
Stopper Strap		4		3		2

Chaincase Gears

146" MODELS (FREERIDE)						
SEA LEVEL 0 M (0 FT)	600 M (2000 FT)	1200 M (4000 FT)	1800 M (6000 FT)	2400 M (8000 FT)	3000 M (10000 FT)	
Upper gear	23 (P/N 504091000)		21 (P/N 504096200)			
Lower gear	51 (P/N 504152971)		49 (P/N 504152581)			
Chain	108 (P/N 504152631)		106 (P/N 504152630)			

146" MODELS (SUMMIT)						
SEA LEVEL 0 M (0 FT)	600 M (2000 FT)	1200 M (4000 FT)	1800 M (6000 FT)	2400 M (8000 FT)	3000 M (10000 FT)	
Upper gear	21 (P/N 504096200)					
Lower gear	49 (P/N 504152581)					
Chain	106 (P/N 504152630)					

154" MODELS						
SEA LEVEL 0 M (0 FT)	600 M (2000 FT)	1200 M (4000 FT)	1800 M (6000 FT)	2400 M (8000 FT)	3000 M FT	
Upper gear	19 (P/N 504152030)					
Lower gear	49 (P/N 504152581)					
Chain	104 (P/N 504152629)					

Sea Level Calibration Kit

MODEL	PART NUMBER
All	860201418

Summit 800R E-TEC Theoretical Speed

MODEL	UPPER GEAR	LOWER GEAR	CHAIN	THEORETICAL SPEED (KM/H / MPH)
Summit, Freeride 146*	21	49	106	131 km/h (81 MPH)
Summit, Freeride 146***	23	49	106	144 km/h (89 MPH)
Summit, Freeride 154*	19	49	104	119 km/h (74 MPH)
Summit, Freeride 154**	21	49	106	131 km/h (81 MPH)
Summit, Freeride 154***	23	49	106	144 km/h (89 MPH)

Summit 800R E-TEC Sea-Level Gear Ratio Recommendation

TRACK LENGTH	GEAR RATIO	RECOMMENDATION	PRO'S	CON'S
146"	21/49*	Deep snow / Best all around gear ratio	Better belt life / Better deep snow performance	Max Speed 131 km/h
146"	23/49***	Trail / Lake	Higher maximum speed	Performance and Belt life Reduced in deep snow condition
154"	19/49*	For Extreme deep snow condition only	Increase performance and belt life in extreme deep and heavy snow condition	119 km/h max speed. Rev limiter can often turn on.
154"	21/49***	Deep snow / Best all around gear ratio	Better belt life in all around condition	131 km/h max speed
154"	23/49***	Trail / Lake	Higher maximum speed	Performance and Belt life Reduced in deep snow condition

* Factory Installed

** Included in Sea-Level calibration kit

*** Optional calibration

SUMMIT X 174" 800R E-TEC HIGH ALTITUDE (Track with profile of 76.2 mm (3 in)) / SUMMIT SP 163" AND 174" 800R E-TEC HIGH ALTITUDE (Track with profile of 76.2 mm (3 in))

Drive Pulley

	SEA LEVEL 0 M (0 FT)	600 M (2000 FT)	1200 M (4000 FT)	1800 M (6000 FT)	2400 M (8000 FT)	3000 M (10000 FT)
Spring	Blue/Yellow (P/N 414689500)		Purple/Pink (P/N 414949500)			
Ramp	413 (P/N 417222508)		438 (P/N 417223049)			
Calibration Screw Position	3	4	3	4	5	6
Pin	Long solid 35.75 mm/18,8 g (P/N 417222594)		Long threaded 35,75 mm/12,4 g (P/N 417 222595) 1 set screw/16 mm (P/N 206 261699)	Long threaded 35,75 mm/12,4 g (P/N 417222595)		
Engagement RPM ± 100	3000		3800			
Maximum RPM ± 100	7900					

Driven Pulley

	SEA LEVEL 0 M (0 FT)	600 M (2000 FT)	1200 M (4000 FT)	1800 M (6000 FT)	2400 M (8000 FT)	3000 M (10000 FT)
Spring	Black (P/N 417127039)		Blue (P/N 417127118)			
Spring tension Kg ± 0.7 (lb ± 1.5)	N/A					
Cam angle (degrees)	40° (P/N 417127386)					

Vehicle Calibration

	SEA LEVEL 0 M (0 FT)	600 M (2000 FT)	1200 M (4000 FT)	1800 M (6000 FT)	2400 M (8000 FT)	3000 M (10000 FT)
Stopper Strap		4		3		2

Chaincase Gears

163" 3" PROFILE TRACK MODELS						
SEA LEVEL 0 M (0 FT)	600 M (2000 FT)	1200 M (4000 FT)	1800 M (6000 FT)	2400 M (8000 FT)	3000 M (10000 FT)	
Upper gear	23 (P/N 504091000)		21 (P/N 504096200)			
Lower gear	51 (P/N 504153227)					
Chain	112 (P/N 504153268)					

174" 3" PROFILE TRACK MODELS						
SEA LEVEL 0 M (0 FT)	600 M (2000 FT)	1200 M (4000 FT)	1800 M (6000 FT)	2400 M (8000 FT)	3000 M (10000 FT)	
Upper gear	21 (P/N 504096200)		19 (P/N 504152030)			
Lower gear	49 (P/N 504153267)					
Chain	110 (P/N 504153266)					

Sea Level Calibration Kit

MODEL	PART NUMBER
All	860201418

Summit 800R E-TEC Theoretical Speed

NOTE: Summit with 3" profile track are equipped with 7 tooth sprocket instead of 8 tooth sprocket like 2,5" profile track Summit. Theoretical speed for Summit with 3" profile track package will differ from a Summit with 2,5" profile track, with same gear ratio.

MODEL	UPPER GEAR	LOWER GEAR	CHAIN	THEORETICAL SPEED (KM/H / MPH)
Summit 163 (3" profile track)*	21	51	112	123 km/h (76 MPH)
Summit 163 (3" profile track)***	23	51	112	134 km/h (83 MPH)
Summit 174 (3" profile track)*	19	49	110	116 km/h (72 MPH)
Summit 174 (3" profile track)***	21	49	110	127 km/h (79 MPH)

Summit 800R E-TEC Sea-Level Gear Ratio Recommendation

NOTE: Summit with 3" profile track are equipped with 7 tooth sprocket instead of 8 tooth sprocket like 2,5" profile track Summit. Gear ratio recommendation for Summit with 3" profile track package may differ from a Summit with 2,5" profile track, with same gear ratio.

TRACK LENGTH	GEAR RATIO	RECOMMENDATION	PRO'S	CON'S
163"	21/51*	For extreme deep snow / Best all around gear ratio	Good belt life	123 km/h max speed. Rev limiter can turn on
163"	23/51***	Deep snow condition only	Higher maximum speed	Performance and belt life reduced in deep snow condition
174"	19/49*	For extreme deep snow / Best all around gear ratio	Increase performance and belt life in extreme deep and heavy snow condition	116 Km/h max speed. Rev limiter can often turn on
174"	21/49***	Deep snow condition only	Good belt life	127 Km/h max speed

* Factory Installed

** Included in Sea-Level calibration kit

*** Optional calibration

MX Z BLIZZARD 800R E-TEC / MX Z X-RS 800R E-TEC /

Drive Pulley

	SEA LEVEL 0 M (0 FT)	600 M (2000 FT)	1200 M (4000 FT)	1800 M (6000 FT)	2400 M (8000 FT)	3000 M (10000 FT)
Spring	Blue/Green (P/N 414817700)		Purple/Yellow (P/N 415015300)			
Ramp	414 (P/N 417222546)					
Calibration Screw Position	3	4	2	3	4	5
Pin	Long solid 35.75 mm/18.8 g (P/N 417222594)		Long threaded 35.75 mm/12.4 g (P/N 417222595) 1 x set screw 12 mm (P/N 206261299)			
Engagement RPM \pm 100	3800					
Maximum RPM \pm 100	7900					

Driven Pulley

	SEA LEVEL 0 M (0 FT)	600 M (2000 FT)	1200 M (4000 FT)	1800 M (6000 FT)	2400 M (8000 FT)	3000 M (10000 FT)
Spring	Green (P/N 417127137)		Purple (P/N 417127062)			
Spring tension Kg \pm 0.7 (lb \pm 1.5)	N/A					
Cam angle (degrees)	47° - 44° (P/N 417127109)		44° (P/N 417127011)			

RENEGADE ENDURO 800R E-TEC

Drive Pulley

	SEA LEVEL 0 M (0 FT)	600 M (2000 FT)	1200 M (4000 FT)	1800 M (6000 FT)	2400 M (8000 FT)	3000 M (10000 FT)
Spring	Blue/Green (P/N 414817700)		Blue/Blue (P/N 414689400)			
Ramp	414 (P/N 417222546)		413 (P/N 417222508)			
Calibration Screw Position	3	4	2	3	4	5
Pin	Long solid 35.75 mm/18.8 g (P/N 417222594)		Long threaded 35.75 mm/12.4 g (P/N 417222595) 1 set screw/12 mm (P/N 206261299)			
Engagement RPM \pm 100	3800		3900	4000		4100
Maximum RPM \pm 100	7900					

Driven Pulley

	SEA LEVEL 0 M (0 FT)	600 M (2000 FT)	1200 M (4000 FT)	1800 M (6000 FT)	2400 M (8000 FT)	3000 M (10000 FT)
Spring	Green (P/N 417127137)					
Spring tension Kg \pm 0.7 (lb \pm 1.5)	N/A					
Cam angle (degrees)	44° - 42° (P/N 417126973)					

**FREERIDE 137" 800R E-TEC
 (Track profile of 44.5 mm (1-3/4 in)) /
 RENEGADE BACKCOUNTRY 800R E-TEC /
 RENEGADE BACKCOUNTRY X 800R E-TEC /
 RENEGADE X-RS 800R E-TEC (EUROPE)
 (Track with profile of 44.5 mm (1-3/4 in))**

Drive Pulley

	SEA LEVEL 0 M (0 FT)	600 M (2000 FT)	1200 M (4000 FT)	1800 M (6000 FT)	2400 M (8000 FT)	3000 M (10000 FT)
Spring	Purple/Blue (P/N 415034900)		Purple/Pink (P/N 414949500)			
Ramp	413 (P/N 417222508)		438 (P/N 417223049)			
Calibration Screw Position	3	4	3	4	5	6
Pin	Long solid 35.75 mm/18.8 g (P/N 417222594)		Long threaded 35.75 mm/12.4 g (P/N 417222595) 1 set screw/12 mm (P/N 206261299)			
Engagement RPM ± 100	3800		3900	4000		4100
Maximum RPM ± 100	7900					

Driven Pulley

	SEA LEVEL 0 M (0 FT)	600 M (2000 FT)	1200 M (4000 FT)	1800 M (6000 FT)	2400 M (8000 FT)	3000 M (10000 FT)
Spring	Green (P/N 417127137)					
Spring tension Kg ± 0.7 (lb ± 1.5)	N/A					
Cam angle (degrees)	44° - 42° (P/N 417126973)					

► **EXPEDITION Xtreme 800R E-TEC (CAN / USA)**

Drive Pulley

	<u>SEA LEVEL</u> <u>0 M (0 FT)</u>	<u>600 M</u> <u>(2000 FT)</u>	<u>1200 M</u> <u>(4000 FT)</u>	<u>1800 M</u> <u>(6000 FT)</u>	<u>2400 M</u> <u>(8000 FT)</u>	<u>3000 M</u> <u>(10000 FT)</u>
<u>Spring</u>	<u>Violet/Blue</u> <u>(P/N 415034900)</u>		<u>Blue/Pink (P/N 414916300)</u>			
<u>Ramp</u>	<u>450 (P/N 417224236)</u>					
<u>Calibration Screw Position</u>	<u>2</u>	<u>3</u>	<u>2</u>	<u>3</u>	<u>4</u>	<u>5</u>
<u>Pin</u>	<u>Long solid</u> <u>35.75 mm/18.8 g</u> <u>(P/N 417222594)</u>		<u>Long threaded 35.75 mm/12.4 g</u> <u>(P/N 417222595)</u> <u>1 set screw/12 mm (P/N 206261299)</u>			
<u>Engagement RPM ± 100</u>	<u>3800</u>		<u>3900</u>	<u>4000</u>		<u>4100</u>
<u>Maximum RPM ± 100</u>	<u>7900</u>					

Driven Pulley

	<u>SEA LEVEL</u> <u>0 M (0 FT)</u>	<u>600 M</u> <u>(2000 FT)</u>	<u>1200 M</u> <u>(4000 FT)</u>	<u>1800 M</u> <u>(6000 FT)</u>	<u>2400 M</u> <u>(8000 FT)</u>	<u>3000 M</u> <u>(10000 FT)</u>
<u>Spring</u>	<u>White (P/N 417127039)</u>					
<u>Spring tension</u> <u>Kg ± 0.7 (lb ± 1.5)</u>	<u>N/A</u>					
<u>Cam angle (degrees)</u>	<u>40° (P/N 417127411)</u>					



► EXPEDITION Xtreme 800R E-TEC (EUROPE) ◀

Drive Pulley

	SEA LEVEL 0 M (0 FT)	600 M (2000 FT)	1200 M (4000 FT)	1800 M (6000 FT)	2400 M (8000 FT)	3000 M (10000 FT)
Spring	Yellow/Green (P/N 414742100)		Blue/Pink (P/N 414916300)			
Ramp	413 (P/N 417222508)					
Calibration Screw Position	2	3	2	3	4	5
Pin	Long solid 35.75 mm/18.8 g (P/N 417222594)		Long threaded 35.75 mm/12.4 g (P/N 417222595) 1 set screw/12 mm (P/N 206261299)			
Engagement RPM ± 100	3800		3900	4000		4100
Maximum RPM ± 100	7900					

Driven Pulley

	SEA LEVEL 0 M (0 FT)	600 M (2000 FT)	1200 M (4000 FT)	1800 M (6000 FT)	2400 M (8000 FT)	3000 M (10000 FT)
Spring	► Black (P/N 417127039) ◀					
Spring tension Kg ± 0.7 (lb ± 1.5)	N/A					
Cam angle (degrees)	► 40° (P/N 417127411) ◀					

SUMMIT X 154" AND 165" 850 E-TEC SEA-LEVEL / SUMMIT SP 154" AND 165" 850 E-TEC SEA-LEVEL

Drive Pulley

	SEA LEVEL 0 M (0 FT)	600 M (2000 FT)	1200 M (4000 FT)	1800 M (6000 FT)	2400 M (8000 FT)	3000 M (10000 FT)
Spring	Blue/Yellow (P/N 417224015)		Purple/Purple (P/N 417224165)			
Ramp	951 (P/N 417224038)		967 (P/N 417224225)			
Calibration Screw Position	3	4	3	4	4	5
Pivot	33 mm/15,2 g (P/N 417224116)		38 mm/16,7 g (P/N 417224117)		26 mm/13,1 g (P/N 417224115)	
Engagement RPM ± 100	3300		3800			
Maximum RPM ± 100	7900					

Driven Pulley

	SEA LEVEL 0 M (0 FT)	600 M (2000 FT)	1200 M (4000 FT)	1800 M (6000 FT)	2400 M (8000 FT)	3000 M (10000 FT)
Spring	Black (P/N 417127039)		Blue (P/N 417127118)			
Spring tension Kg ± 0.7 (lb ± 1.5)	N/A					
Cam angle (degrees)	40° (P/N 417127532)					

Vehicle Calibration

	SEA LEVEL 0 M (0 FT)	600 M (2000 FT)	1200 M (4000 FT)	1800 M (6000 FT)	2400 M (8000 FT)	3000 M (10000 FT)
Stopper Strap		4		3		2

Chaincase Gears

154" MODELS						
	Sea level 0 M (0 FT)	600 M (2000 FT)	1200 M (4000 FT)	1800 M (6000 FT)	2400 M (8000 FT)	3000 M (10000 FT)
Upper gear		19 (P/N 504152030)				
Lower gear		45 (P/N 504152593)				
Chain		112 (P/N 504153268)				

165" MODELS						
	Sea level 0 M (0 FT)	600 M (2000 FT)	1200 M (4000 FT)	1800 M (6000 FT)	2400 M (8000 FT)	3000 M FT
Upper gear	21 (P/N 504096200)					
Lower gear	51 (P/N 504152971)					
Chain	116 (P/N 504153397)					

SUMMIT X 154" AND 165" 850 E-TEC HIGH ALTITUDE / SUMMIT SP 154" AND 165" 850R E-TEC HIGH ALTITUDE

Drive Pulley

	SEA LEVEL 0 M (0 FT)	600 M (2000 FT)	1200 M (4000 FT)	1800 M (6000 FT)	2400 M (8000 FT)	3000 M (10000 FT)
Spring	Blue/Yellow (P/N 417224015)		Purple/Purple (P/N 417224166)			
Ramp	951 (P/N 417224038)		967 (P/N 417224225)			
Calibration Screw Position	3	4	3	4	4	5
Pivot	33 mm/15,2 g (P/N 417224116)		38 mm/16,7 g (P/N 417224117)		26mm/13,1 g (P/N 417224115)	
Engagement RPM ± 100	3300		3800			
Maximum RPM ± 100	7900					

Driven Pulley

	SEA LEVEL 0 M (0 FT)	600 M (2000 FT)	1200 M (4000 FT)	1800 M (6000 FT)	2400 M (8000 FT)	3000 M (10000 FT)
Spring	Black (P/N 417127039)		Blue (P/N 417127118)			
Spring tension Kg ± 0.7 (lb ± 1.5)	N/A					
Cam angle (degrees)	40° (P/N 417127532)					

Vehicle Calibration

	SEA LEVEL 0 M (0 FT)	600 M (2000 FT)	1200 M (4000 FT)	1800 M (6000 FT)	2400 M (8000 FT)	3000 M (10000 FT)
Stopper Strap		4		3		2

Chaincase Gears

154" MODELS						
	SEA LEVEL 0 M (0 FT)	600 M (2000 FT)	1200 M (4000 FT)	1800 M (6000 FT)	2400 M (8000 FT)	3000 M (10000 FT)
Upper gear	19 (P/N 504152030)					
Lower gear	45 (P/N 504152593)					
Chain	112 (P/N 504153268)					

165" MODELS						
	SEA LEVEL 0 M (0 FT)	600 M (2000 FT)	1200 M (4000 FT)	1800 M (6000 FT)	2400 M (8000 FT)	3000 M (10000 FT)
Upper gear	21 (P/N 504096200)					
Lower gear	51 (P/N 504152971)					
Chain	116 (P/N 504153397)					

Sea Level Calibration Kit

MODEL	PART NUMBER
154" and 165"	860201284

Summit 850 E-TEC Gear Ratio and Application

NOTE: Summit are built for deep snow conditions and should never be used in marginal or hard pack snow conditions. Going to higher ratios could lead to reduced belt life and track delamination.

TRACK LENGTH	GEAR RATIO	APPLICATION	PRO'S	CON'S
154"	19/45	Deep snow / Best all around gear ratio	Better belt life and track durability in all around condition	128 km/h max speed. Rev limiter can turn on
163"	21/51	Deep snow / Best all around gear ratio	Better belt life and track durability in all around condition	123 km/h max speed. Rev limiter can turn on

MX Z TNT 850 E-TEC / MX Z X 850 E-TEC

Drive Pulley

	SEA LEVEL 0 M (0 FT)	600 M (2000 FT)	1200 M (4000 FT)	1800 M (6000 FT)	2400 M (8000 FT)	3000 M (10000 FT)
Spring	Blue/Purple (P/N 417224168)		Purple/Blue (P/N 417224165)			
Ramp	968 (P/N 417224226)		967 (P/N 417224225)			
Calibration Screw Position	3	4	2	3	4	5
Pivot	33 mm/15,2 g (P/N 417224116)					
Engagement RPM \pm 100	3600		4000			
Maximum RPM \pm 100	7900					

Driven Pulley

	SEA LEVEL 0 M (0 FT)	600 M (2000 FT)	1200 M (4000 FT)	1800 M (6000 FT)	2400 M (8000 FT)	3000 M (10000 FT)
Spring	Green (P/N 417127137)					
Spring tension Kg \pm 0.7 (lb \pm 1.5)	N/A					
Cam angle (degrees)	45° - 42° (P/N 417127534)					

RENEGADE ADRENALINE 850 E-TEC / RENEGADE X 850 E-TEC

Drive Pulley

	SEA LEVEL 0 M (0 FT)	600 M (2000 FT)	1200 M (4000 FT)	1800 M (6000 FT)	2400 M (8000 FT)	3000 M (10000 FT)
Spring	Blue/Blue (P/N 417224013)		Purple/Blue (P/N 417224165)			
Ramp	968 (P/N 417224226)		967 (P/N 417224225)			
Calibration Screw Position	3	4	2	3	4	5
Pivot	33 mm/18.8 g (P/N 417224116)					
Engagement RPM \pm 100	3600		4000			
Maximum RPM \pm 100	7900					

Driven Pulley

	SEA LEVEL 0 M (0 FT)	600 M (2000 FT)	1200 M (4000 FT)	1800 M (6000 FT)	2400 M (8000 FT)	3000 M (10000 FT)
Spring	Green (P/N 417127137)					
Spring tension Kg \pm 0.7 (lb \pm 1.5)	N/A					
Cam angle (degrees)	44° - 42° (P/N 417126973)					

TUNDRA SPORT 600 ACE / TUNDRA LT 600 ACE / EXPEDITION SPORT 600 ACE / RENEGADE SPORT 600 ACE

Drive Pulley

	SEA LEVEL 0 M (0 FT)	600 M (2000 FT)	1200 M (4000 FT)	1800 M (6000 FT)	2400 M (8000 FT)	3000 M (10000 FT)
Spring	Red/White (P/N 417 223747)	Red/Red (P/N 417 223745)	Red/Yellow (P/N 417 223748)	Red/White (P/N 417223747)		Red/Red (P/N 417 223745)
Ramp	716 (P/N 417223450)			725 (P/N 417223601)		
Ramp quantity	6					
Engagement RPM \pm 100	2200					
Maximum RPM \pm 100	7250					

Driven Pulley

	SEA LEVEL 0 M (0 FT)	600 M (2000 FT)	1200 M (4000 FT)	1800 M (6000 FT)	2400 M (8000 FT)	3000 M (10000 FT)
Spring	Pink 3 (P/N 417127344)					
Spring tension Kg \pm 0.7 (lb \pm 1.5)	6.4 kgf (14.1 lbf)					
Cam angle (degrees)	41°-45° (P/N 417127235)					

GRAND TOURING SPORT 600 ACE / MX Z SPORT 600 ACE

Drive Pulley

	SEA LEVEL 0 M (0 FT)	600 M (2000 FT)	1200 M (4000 FT)	1800 M (6000 FT)	2400 M (8000 FT)	3000 M (10000 FT)
Spring	Red/Red (P/N 417 223745)	Red/Yellow (P/N 417 223748)	Red/Orange (P/N 417 223749)	Red/White (P/N 417223747)		Red/Red (P/N 417 223745)
Ramp	715 (P/N 417223452)			725 (P/N 417223601)		
Ramp quantity	6					
Engagement RPM \pm 100	2200					
Maximum RPM \pm 100	7250					

Driven Pulley

	SEA LEVEL 0 M (0 FT)	600 M (2000 FT)	1200 M (4000 FT)	1800 M (6000 FT)	2400 M (8000 FT)	3000 M (10000 FT)
Spring	Pink 3 (P/N 417127344)					
Spring tension Kg \pm 0.7 (lb \pm 1.5)	6.4 kgf (14.1 lbf)					
Cam angle (degrees)	41°-45° (P/N 417127235)					

SKANDIC WT 600 ACE

Drive Pulley

	SEA LEVEL 0 M (0 FT)	600 M (2000 FT)	1200 M (4000 FT)	1800 M (6000 FT)	2400 M (8000 FT)	3000 M (10000 FT)
Spring	▶ Red/White (P/N 417 223747)	Red/Red (P/N 417 223745)	Red/White (P/N 417 223747)	Red/Red (P/N 417 223745)	Red/Yellow (P/N 417 223748)	Red/Orange (P/N 417 223749) ◀
Ramp	716 (P/N 417223450)		725 (P/N 417223601)			
Ramp quantity	6					
Engagement RPM ± 100	2200					
Maximum RPM ± 100	7250					

Driven Pulley

	SEA LEVEL 0 M (0 FT)	600 M (2000 FT)	1200 M (4000 FT)	1800 M (6000 FT)	2400 M (8000 FT)	3000 M (10000 FT)
Spring	Pink 3 (P/N 417127344)					
Spring tension Kg ± 0.7 (lb ± 1.5)	6.4 kgf (14.1 lbf)					
Cam angle (degrees)	37°-45° (P/N 417127240)					

**EXPEDITION SPORT 900 ACE /
 GRAND TOURING LE 900 ACE /
 GRAND TOURING SE 900 ACE /
 MX Z TNT 900 ACE /
 MX Z BLIZZARD 900 ACE /
 RENEGADE ADRENALINE 900 ACE /
 RENEGADE ENDURO 900 ACE**

Drive Pulley

	SEA LEVEL 0 M (0 FT)	600 M (2000 FT)	1200 M (4000 FT)	1800 M (6000 FT)	2400 M (8000 FT)	3000 M (10000 FT)
Spring		Yellow/Blue (P/N 417224085)	Red/White (P/N 417223747)	Yellow/Blue (P/N 417224085)	Yellow/Blue (P/N 417224085)	Yellow/Pink (P/N 417 224084)
Ramp		749 (P/N 417224103)	751 (P/N 417224107)			
Engagement RPM ± 100	2200					
Maximum RPM ± 100	7250					

Driven Pulley

	SEA LEVEL 0 M (0 FT)	600 M (2000 FT)	1200 M (4000 FT)	1800 M (6000 FT)	2400 M (8000 FT)	3000 M (10000 FT)
Spring		Red/Red (P/N 417127467)				
Spring tension Kg ± 0.7 (lb ± 1.5)		7 kg (15.4 lb)				
Cam angle (degrees)		47° - 40° (P/N 417127474)				

SKANDIC WT 900 ACE / SKANDIC SWT 900 ACE / EXPEDITION LE 900 ACE / EXPEDITION SE 900 ACE

Drive Pulley

	SEA LEVEL 0 M (0 FT)	600 M (2000 FT)	1200 M (4000 FT)	1800 M (6000 FT)	2400 M (8000 FT)	3000 M (10000 FT)
Spring		Red/Red (P/N 417223745)	Red/White (P/N 417223747)		Yellow/Blue (P/N 417224085)	Yellow/Pink (P/N 417 224084)
Ramp		740 (P/N 417223679)	742 (P/N 417223918)			
Engagement RPM \pm 100	2200					
Maximum RPM \pm 100	7250					

Driven Pulley

	SEA LEVEL 0 M (0 FT)	600 M (2000 FT)	1200 M (4000 FT)	1800 M (6000 FT)	2400 M (8000 FT)	3000 M (10000 FT)
Spring	Orange/Orange (P/N 417127434)					
Spring tension Kg \pm 0.7 (lb \pm 1.5)	7 kg (15.4 lb)					
Cam angle (degrees)	44° - 40° (P/N 417127412)					

**MX Z TNT 1200 4-TEC /
 MX Z X 1200 4-TEC /
 MX Z BLIZZARD 1200 4-TEC /
 RENEGADE ADRENALINE 1200 4-TEC /
 RENEGADE X 1200 4-TEC /
 RENEGADE ENDURO 1200 4-TEC**

Drive Pulley

	SEA LEVEL 0 M (0 FT)	600 M (2000 FT)	1200 M (4000 FT)	1800 M (6000 FT)	2400 M (8000 FT)	3000 M (10000 FT)
Spring		Yellow/Pink (P/N 417224084)	Red/White (P/N 417 223747)		Yellow/Blue (P/N 417224085)	Yellow/Pink (P/N 417 224084)
Ramp		749 (P/N 417224103)	750 (P/N 417224105)			
Engagement RPM ± 100	2200					
Maximum RPM ± 100	7900					

Driven Pulley

	SEA LEVEL 0 M (0 FT)	600 M (2000 FT)	1200 M (4000 FT)	1800 M (6000 FT)	2400 M (8000 FT)	3000 M (10000 FT)
Spring	Beige2/Beige2 (P/N 417127242)					
Spring tension Kg ± 0.7 (lb ± 1.5)	7 kg (15.4 lb)					
Cam angle (degrees)	44° - 40° (P/N 417127476)					

GRAND TOURING LE 1200 4-TEC / GRAND TOURING SE 1200 4-TEC /

Drive Pulley

	SEA LEVEL 0 M (0 FT)	600 M (2000 FT)	1200 M (4000 FT)	1800 M (6000 FT)	2400 M (8000 FT)	3000 M (10000 FT)
Spring		Yellow/Pink (P/N 417224084)	Red/White (P/N 417 223747)		Yellow/Blue (P/N 417224085)	Yellow/Pink (P/N 417 224084)
Ramp		749 (P/N 417224103)	750 (P/N 417224105)			
Engagement RPM \pm 100	2200					
Maximum RPM \pm 100	7900					

Driven Pulley

	SEA LEVEL 0 M (0 FT)	600 M (2000 FT)	1200 M (4000 FT)	1800 M (6000 FT)	2400 M (8000 FT)	3000 M (10000 FT)
Spring		Red/Red (P/N 417127467)				
Spring tension Kg \pm 0.7 (lb \pm 1.5)		7 kg (15.4 lb)				
Cam angle (degrees)		44° - 40° (P/N 417127476)				

EXPEDITION LE 1200 4-TEC / EXPEDITION SE 1200 4-TEC

Drive Pulley

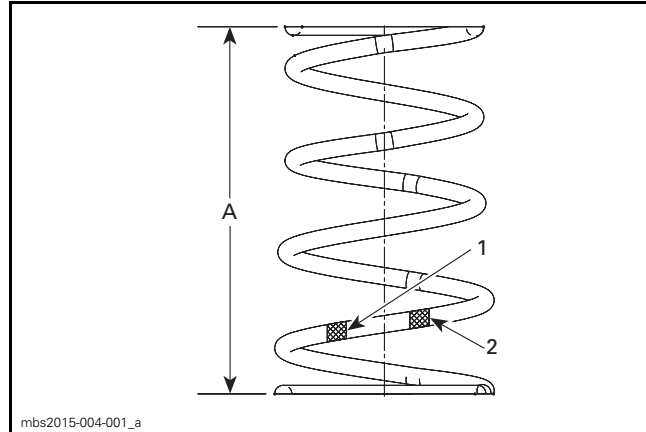
	SEA LEVEL 0 M (0 FT)	600 M (2000 FT)	1200 M (4000 FT)	1800 M (6000 FT)	2400 M (8000 FT)	3000 M (10000 FT)
Spring		Yellow/Blue (P/N 417224085)	Red/White (P/N 417 223747)		Yellow/Blue (P/N 417224085)	Yellow/Pink (P/N 417 224084)
Ramp		749 (P/N 417224103)	750 (P/N 417224105)			
Engagement RPM \pm 100	2200					
Maximum RPM \pm 100	7900					

Driven Pulley

	SEA LEVEL 0 M (0 FT)	600 M (2000 FT)	1200 M (4000 FT)	1800 M (6000 FT)	2400 M (8000 FT)	3000 M (10000 FT)
Spring	Pink 4 (P/N 417127421)					
Spring tension Kg \pm 0.7 (lb \pm 1.5)	7 kg (15.4 lb)					
Cam angle (degrees)	44° - 40 (P/N 417127424)					

OPTIONAL DRIVE PULLEY SPRING RATES AND SPECIFICATIONS

The springs for TRA pulleys can not be installed on eDrive II or eDrive II LC.



TYPICAL - COLOR CODE
 1. 1st color
 2. 2nd color

eDrive II (900 ACE / 1200 4-TEC) and eDrive II LC (550F / 600 ACE)

SPRING SPECIFICATIONS							
PART NUMBER	WIRE DIA.	FREE LENGHT	LOAD ± 10% WHEN "A" = 60.6 MM		LOAD ± 10% WHEN "A" = 28 MM		COLOR CODE
	MM		N	LBS	N	LBS	
417223745	4.50	97.9	356	80	667	150	Red / Red
417223747	4.30	108.0	356	80	600	135	Red / White
417223748	4.80	87.3	355	80	789	177	Red / Yellow
417223749	4.80	84.3	355	80	845	190	Red / Orange
417223750	5.0	80.5	355	80	934	210	Red / Green
417224084	4.50	105.4	489	110	845	190	Yellow / Pink
417224085	4.30	120.0	446	100	690	155	Yellow / Blue