



SERVICE BULLETIN



June 2017

Subject: **High Altitude / Sea Level Specifications**

No.

2018-5

YEAR	MODEL
2018	All Ski-Doo

TABLE OF CONTENTS

	Page		Page
GENERAL INFORMATION	4	SUMMIT™ SPORT 146" 600	14
Previous Model Year Vehicles	4	Drive Pulley	14
Reverse Connector	4	Driven Pulley	14
Table Format	4	Carburation	15
Sea Level Calibration Kit	4	Main Jet Chart	15
EXPEDITION® SPORT 550F /TUNDRA™		Vehicle Calibration	16
SPORT 550F /TUNDRA LT 550F	5	EXPEDITION LE 600 HO E-TEC®	
Drive Pulley	5	/EXPEDITION SE 600 HO E-TEC	17
Driven Pulley	5	Drive Pulley	17
Carburation	6	Driven Pulley	17
Main Jet Chart	6	SKANDIC WT 600 HO E-TEC /SKANDIC	
Additional Information	7	SWT 600 HO E-TEC	18
SKANDIC™ WT 550F	8	Drive Pulley	18
Drive Pulley	8	Driven Pulley	18
Driven Pulley	8	GRAND TOURING LE 600 HO E-TEC ...	19
Carburation	9	Drive Pulley	19
Main Jet Chart	9	Driven Pulley	19
MX Z™ SPORT 600	10	MX Z™ TNT 600 HO E-TEC /MX Z	
Drive Pulley	10	BLIZZARD™ 600 HO E-TEC /MX Z X™	
Driven Pulley	10	600 HO E-TEC /MX Z X-RS™ 600 HO	
Carburation	11	E-TEC /RENEGADE™ ADRENALINE™ 600	
Main Jet Chart	11	HO E-TEC /RENEGADE ENDURO 600 HO	
RENEGADE™ SPORT 600	12	E-TEC /RENEGADE BACKCOUNTRY™	
Drive Pulley	12	600 HO E-TEC /RENEGADE X 600 HO	
Driven Pulley	12	E-TEC	20
Carburation	13	Drive Pulley	20
Main Jet Chart	13	Driven Pulley	20
		TUNDRA Xtreme 600 HO E-TEC	21
		Drive Pulley	21

Driven Pulley	21
Vehicle Calibration	21
SUMMIT SP 146" AND 154" 600 HO E-TEC (CAN/USA)	22
Drive Pulley.....	22
Driven Pulley	22
Vehicle Calibration	22
SUMMIT SP 146" AND 154" 600 HO E-TEC (EUROPE)	23
Drive Pulley.....	23
Driven Pulley	23
Vehicle Calibration	23
RENEGADE ENDURO 800R E-TEC	24
Drive Pulley.....	24
Driven Pulley	24
EXPEDITION Xtreme 800R E-TEC (CAN / USA).....	25
Drive Pulley.....	25
Driven Pulley	25
EXPEDITION Xtreme 800R E-TEC (EUROPE)	26
Drive Pulley.....	26
Driven Pulley	26
FREERIDE 137" 850 E-TEC.....	27
Drive Pulley.....	27
Driven Pulley	27
Vehicle Calibration	27
Chaincase Gears.....	27
FREERIDE 146" 850 E-TEC SEA-LEVEL /SUMMIT 146" 850 E-TEC SEA-LEVEL. ..	29
Drive Pulley.....	29
Driven Pulley	29
Vehicle Calibration	29
Chaincase Gears.....	29
FREERIDE 154" AND 165" 850 E-TEC SEA-LEVEL /SUMMIT 154" AND 165" 850 E-TEC SEA-LEVEL	30
Drive Pulley.....	30
Driven Pulley	30
Vehicle Calibration	30
Chaincase Gears.....	30
SUMMIT 175" 850 E-TEC SEA-LEVEL ..	32
Drive Pulley.....	32
Driven Pulley	32
Vehicle Calibration	32
Chaincase Gears.....	32

FREERIDE 146" 850 E-TEC HIGH ALTITUDE /SUMMIT 146" 850 E-TEC HIGH ALTITUDE	33
Drive Pulley.....	33
Driven Pulley	33
Vehicle Calibration	33
Chaincase Gears.....	33
FREERIDE 154" AND 165" 850 E-TEC HIGH ALTITUDE /SUMMIT 154" AND 165" 850R E-TEC HIGH ALTITUDE	35
Drive Pulley.....	35
Driven Pulley	35
Vehicle Calibration	35
Chaincase Gears.....	35
SUMMIT 175" 850R E-TEC HIGH ALTITUDE	37
Drive Pulley.....	37
Driven Pulley	37
Vehicle Calibration	37
Chaincase Gears.....	37
MX Z TNT 850 E-TEC /MX Z BLIZZARD 850 E-TEC /MX Z X 850 E-TEC	39
Drive Pulley.....	39
Driven Pulley	39
MX Z X-RS 850 E-TEC.....	40
Drive Pulley.....	40
Driven Pulley	40
RENEGADE ADRENALINE 850 E-TEC /RENEGADE X 850 E-TEC /RENEGADE X-RS 850 E-TEC.....	41
Drive Pulley.....	41
Driven Pulley	41
RENEGADE BACKCOUNTRY 850 E-TEC /RENEGADE BACKCOUNTRY X 850 E-TEC.....	42
Drive Pulley.....	42
Driven Pulley	42
Vehicle Calibration	42
Chaincase Gears.....	42
TUNDRA SPORT 600 ACE /TUNDRA LT 600 ACE /EXPEDITION SPORT 600 ACE /RENEGADE SPORT 600 ACE	44
Drive Pulley.....	44
Driven Pulley	44
GRAND TOURING SPORT 600 ACE /MX Z SPORT 600 ACE.....	45
Drive Pulley.....	45
Driven Pulley	45

SKANDIC WT 600 ACE	46
Drive Pulley.....	46
Driven Pulley	46
EXPEDITION SPORT 900 ACE /GRAND TOURING LE 900 ACE /GRAND TOURING SE 900 ACE /MX Z TNT 900 ACE /MX Z BLIZZARD 900 ACE /RENEGADE ADRENALINE 900 ACE /RENEGADE ENDURO 900 ACE.....	47
Drive Pulley.....	47
Driven Pulley	47
SKANDIC WT 900 ACE /SKANDIC SWT 900 ACE /EXPEDITION LE 900 ACE /EXPEDITION SE 900 ACE	48
Drive Pulley.....	48
Driven Pulley	48
MX Z TNT 1200 4-TEC /MX Z X 1200 4-TEC /MX Z BLIZZARD 1200 4-TEC /RENEGADE ADRENALINE 1200 4-TEC /RENEGADE X 1200 4-TEC /RENEGADE ENDURO 1200 4-TEC.....	49
Drive Pulley.....	49
Driven Pulley	49
GRAND TOURING LE 1200 4-TEC /GRAND TOURING SE 1200 4-TEC /.....	50
Drive Pulley.....	50
Driven Pulley	50
EXPEDITION LE 1200 4-TEC /EXPEDITION SE 1200 4-TEC	51
Drive Pulley.....	51
Driven Pulley	51
OPTIONAL DRIVE PULLEY SPRING RATES AND SPECIFICATIONS	52
eDrive II (900 ACE / 1200 4-TEC) and eDrive II LC (550F / 600 ACE)	52

GENERAL INFORMATION

Previous Model Year Vehicles

This bulletin supplies all the information required to modify current year vehicles for high altitude and/or sea level riding.

MODEL YEAR	LATEST REVISION OF BULLETIN NO.
2018	2018-5
2017	2017-2
2016	2016-5
2015	2015-5
2014	2014-4
2013	2013-2

NOTE: Throughout this entire document, shaded areas give factory settings (that could apply through different altitudes) while N/A stands for "not applicable".

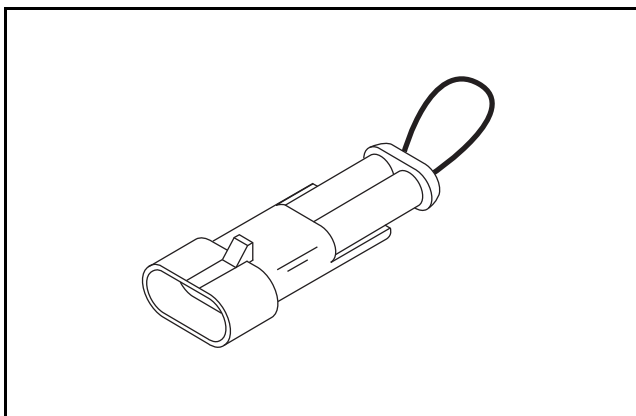
NOTICE The following modifications and adjustments apply for high altitude operation as well as sea level operation.

PARTS AND LABOR COST ARE NOT COVERED BY BRP LIMITED WARRANTY.

Reverse Connector

The reverse connector (P/N 515174700) is used at 1 800 m (6,000 ft) altitude and higher for all FAN cooled models with electronic reverse device. To use Reverse Connector proceed as follows:

1. Unplug existing sea level cap from the ECM.
2. Plug-in the reverse connector.



REVERSE CONNECTOR

Table Format

The shady portions of the table indicate factory settings.

ALTITUDE	
Part to be modified	Recommended Adjustment

Sea Level Calibration Kit

When the high altitude calibration must be modified to sea level calibration on Freeride™ and Summit™ models (146" and up), the following kit may be used. This kit include all required parts to set-up the vehicle.

MODEL	PART NUMBER
Freeride and Summit 850 E-TEC	
146", 154", 165", and 175"	860201760

Kit Description

SEA LEVEL CALIBRATION KIT (P/N 860201760)			
DESCRIPTION		PART NUMBER	QTY
Drive pulley	Ramp 990	417224326	3
	Pivot 38 mm / 16,7 g	417224222	3
	Spring (Blue/Yellow)	417224015	1
	M14 Conical spring washer	250200144	1
Driven pulley	Spring (Black)	417127039	1

EXPEDITION® SPORT 550F / TUNDRA™ SPORT 550F / TUNDRA LT 550F

Drive Pulley

	SEA LEVEL 0 M (0 FT)	600 M (2000 FT)	1200 M (4000 FT)	1800 M (6000 FT)	2400 M (8000 FT)	3000 M (10000 FT)
Spring	Red/Yellow (P/N 417 223748)	Red/Green (P/N 417 223750)	Red/Red (P/N 417 223745)	Red/Yellow (P/N 417 223748)	Red/Orange (P/N 417 223749)	Red/Green (P/N 417 223750)
Ramp	700 (P/N 417223604)		734 (P/N 417223678)			
Ramp quantity	6					
Engagement RPM ± 100	2600					
Maximum RPM ± 100	6800					

Driven Pulley

	SEA LEVEL 0 M (0 FT)	600 M (2000 FT)	1200 M (4000 FT)	1800 M (6000 FT)	2400 M (8000 FT)	3000 M (10000 FT)
Spring	Brown (P/N 417127061)					
Spring tension Kg ± 0.7 (lb ± 1.5)	N/A					
Cam angle (degrees)	44° (P/N 417127011)					

Carburation

NOTICE These adjustments are guidelines only. Specific adjustments vary with temperature, altitude and snow condition. Always observe spark plug condition for proper jetting.

		SEA LEVEL 0 M (0 FT)	600 M (2000 FT)	1200 M (4000 FT)	1800 M (6000 FT)	2400 M (8000 FT)	3000 M (10000 FT)	
Main jet	MAG	190	180	170	160	140	130	1
	PTO	200	190					1
Jet needle		6BFY46						2
MAG needle position		3			2			—
PTO needle position		4			2			
Slide cut-away		2.5						2
Pilot jet		35			45		55	2
MAG mixture screw		1.25						—
PTO mixture screw		1			1.25			
Valve seat		1.2						2
Needle jet		P-8 (159)				P-6 (159)		2
Float level (± 1 mm)		23.9						—
Idle RPM (± 200)		1650						—
Idle throttle valve position (± 0.1 mm)		1.6		1.8	2	2.2	2.4	—

Main Jet Chart

		SEA LEVEL 0 M (0 FT)	600 M (2000 FT)	1200 M (4000 FT)	1800 M (6000 FT)	2400 M (8000 FT)	3000 M (10000 FT)
-40°C (-40°F)	MAG	200	190	180	170	150	140
	PTO	210	200				
-30°C (-22°F)	MAG	195	185	175	165	145	135
	PTO	205	195				
-20°C (-4°F)	MAG	190	180	170	160	140	130
	PTO	200	190				
-10°C (14°F)	MAG	185	175	165	155	135	125
	PTO	195	185				
0°C (32°F)	MAG	180	170	160	150	130	120
	PTO	190	180				
10°C (50°F)	MAG	175	165	155	145	125	115
	PTO	185	175				
20°C (68°F)	MAG	170	160	150	140	120	110
	PTO	180	170				

Additional Information

	SEA LEVEL 0 M (0 FT)	600 M (2000 FT)	1200 M (4000 FT)	1800 M (6000 FT)	2400 M (8000 FT)	3000 M (10000 FT)
Reverse connector		(P/N 515174800)			(P/N 515174700) Connect to ECM	

SKANDIC™ WT 550F

Drive Pulley

	SEA LEVEL 0 M (0 FT)	600 M (2000 FT)	1200 M (4000 FT)	1800 M (6000 FT)	2400 M (8000 FT)	3000 M (10000 FT)
Spring	Red/Yellow (P/N 417 223748)	Red/Green (P/N 417 223750)	Red/Red (P/N 417 223745)	Red/Yellow (P/N 417 223748)	Red/Orange (P/N 417 223749)	Red/Green (P/N 417 223750)
Ramp	700 (P/N 417223604)		734 (P/N 417223678)			
Ramp quantity	6					
Engagement RPM ± 100	2600					
Maximum RPM ± 100	6800					

Driven Pulley

	SEA LEVEL 0 M (0 FT)	600 M (2000 FT)	1200 M (4000 FT)	1800 M (6000 FT)	2400 M (8000 FT)	3000 M (10000 FT)
Spring	Pink 2 (P/N 417127236)					
Spring tension Kg ± 0.7 (lb ± 1.5)	6.4 kgf (14.1 lbf)					
Cam angle (degrees)	47° - 44° (P/N 417127148)					

Carburation

NOTICE These adjustments are guidelines only. Specific adjustments vary with temperature, altitude and snow condition. Always observe spark plug condition for proper jetting.

		SEA LEVEL 0 M (0 FT)	600 M (2000 FT)	1200 M (4000 FT)	1800 M (6000 FT)	2400 M (8000 FT)	3000 M (10000 FT)	
Main jet	MAG	190	180	170	160	150	140	1
	PTO	200						1
Jet needle		6BFY46						2
MAG needle position	3	2			1			—
PTO needle position	4							
Slide cut-away		2.0						2
Pilot jet		35	40					2
MAG mixture screw		2.5			2			—
PTO mixture screw		1						
Valve seat		1.2						2
Needle jet		P-8 (159)						2
Float level (± 1 mm)		23.9						—
Idle RPM (± 200)		1650						—
Idle throttle valve position (± 0.1 mm)		1.5	1.7	1.8	2	2.1	2.2	—

Main Jet Chart

		SEA LEVEL 0 M (0 FT)	600 M (2000 FT)	1200 M (4000 FT)	1800 M (6000 FT)	2400 M (8000 FT)	3000 M (10000 FT)
-40°C (-40°F)	MAG	210	200	190	180	170	160
	PTO						
-30°C (-22°F)	MAG	200	190	180	170	160	150
	PTO						
-20°C (-4°F)	MAG	190	180	170	160	150	140
	PTO						
-10°C (14°F)	MAG	180	170	160	150	140	130
	PTO						
0°C (32°F)	MAG	170	160	150	140	130	120
	PTO						
10°C (50°F)	MAG	160	150	140	130	120	110
	PTO						
20°C (68°F)	MAG	150	140	130	120	110	100
	PTO						

MX Z™ SPORT 600

Drive Pulley

	SEA LEVEL 0 M (0 FT)	600 M (2000 FT)	1200 M (4000 FT)	1800 M (6000 FT)	2400 M (8000 FT)	3000 M (10000 FT)
Spring	Purple/Purple (P/N 414817900)			Pink/Purple (P/N 414754200)		
Ramp	412 (P/N 417222515)					
Calibration Screw Position	3	4	5	4	5	6
Pin	Short solid 32 mm/16,75 g (P/N 417004308)			Short no thread 32 mm/9,9 g (P/N 417004309)		
Engagement RPM \pm 100	3800			3900	4100	
Maximum RPM \pm 100	8100					

Driven Pulley

	SEA LEVEL 0 M (0 FT)	600 M (2000 FT)	1200 M (4000 FT)	1800 M (6000 FT)	2400 M (8000 FT)	3000 M (10000 FT)
Spring	Black (P/N 417127039)					
Spring tension Kg \pm 0.7 (lb \pm 1.5)	N/A					
Cam angle (degrees)	42° (P/N 417127012)					

Carburation

NOTICE These adjustments are guidelines only. Specific adjustments vary with temperature, altitude and snow condition. Always observe spark plug condition for proper jetting.

		SEA LEVEL 0 M (0 FT)	600 M (2000 FT)	1200 M (4000 FT)	1800 M (6000 FT)	2400 M (8000 FT)	3000 M (10000 FT)	
Main jet	MAG	390	370	350	330	300	280	1
	PTO							1
Jet needle		9CEY2-58						2
Needle position		2						—
Slide cut-away		2.0						2
Pilot jet		17.5						2
Mixture screw		1.5			2			—
Valve seat		1.5						2
Needle jet		P-0M						2
Float level (± 1 mm)		N/A						—
Idle RPM (± 200)		1600						—
Idle throttle valve position (± 0.1 mm)		1.5	1.6	1.7	1.8	1.9		—

Main Jet Chart

		SEA LEVEL 0 M (0 FT)	600 M (2000 FT)	1200 M (4000 FT)	1800 M (6000 FT)	2400 M (8000 FT)	3000 M (10000 FT)
-40°C (-40°F)	MAG	410	390	370	350	320	300
	PTO						
-30°C (-22°F)	MAG	400	380	360	340	310	290
	PTO						
-20°C (-4°F)	MAG	390	370	350	330	300	280
	PTO						
-10°C (14°F)	MAG	380	360	340	320	290	270
	PTO						
0°C (32°F)	MAG	370	350	330	310	280	260
	PTO						
10°C (50°F)	MAG	360	340	320	300	270	250
	PTO						
20°C (68°F)	MAG	350	330	310	290	260	240
	PTO						

RENEGADE™ SPORT 600

Drive Pulley

	SEA LEVEL 0 M (0 FT)	600 M (2000 FT)	1200 M (4000 FT)	1800 M (6000 FT)	2400 M (8000 FT)	3000 M (10000 FT)
Spring	Blue/Purple (P/N 414817900)			Pink/Purple (P/N 414754200)		
Ramp	412 (P/N 417222515)					
Calibration Screw Position	3	4	5	4	5	6
Pin	Short solid 32 mm/16,75 g (P/N 417004308)			Short no thread 32 mm/9,9 g (P/N 417004309)		
Engagement RPM \pm 100	3400			4100		
Maximum RPM \pm 100	8100					

Driven Pulley

	SEA LEVEL 0 M (0 FT)	600 M (2000 FT)	1200 M (4000 FT)	1800 M (6000 FT)	2400 M (8000 FT)	3000 M (10000 FT)
Spring	Black (P/N 417127039)					
Spring tension Kg \pm 0.7 (lb \pm 1.5)	N/A					
Cam angle (degrees)	42° (P/N 417127012)					

Carburation

NOTICE These adjustments are guidelines only. Specific adjustments vary with temperature, altitude and snow condition. Always observe spark plug condition for proper jetting.

		SEA LEVEL 0 M (0 FT)	600 M (2000 FT)	1200 M (4000 FT)	1800 M (6000 FT)	2400 M (8000 FT)	3000 M (10000 FT)	
Main jet	MAG	390	370	350	330	300	280	1
	PTO							1
Jet needle	9CEY2-58							2
Needle position	2							—
Slide cut-away	2.0							2
Pilot jet	17.5							2
Mixture screw	1.5			2				—
Valve seat	1.5							2
Needle jet	P-0M							2
Float level (± 1 mm)	N/A							—
Idle RPM (± 200)	1600							—
Idle throttle valve position (± 0.1 mm)	1.5	1.6	1.7	1.8	1.9		—	

Main Jet Chart

		SEA LEVEL 0 M (0 FT)	600 M (2000 FT)	1200 M (4000 FT)	1800 M (6000 FT)	2400 M (8000 FT)	3000 M (10000 FT)
-40°C (-40°F)	MAG	410	390	370	350	320	300
	PTO						
-30°C (-22°F)	MAG	400	380	360	340	310	290
	PTO						
-20°C (-4°F)	MAG	390	370	350	330	300	280
	PTO						
-10°C (14°F)	MAG	380	360	340	320	290	270
	PTO						
0°C (32°F)	MAG	370	350	330	310	280	260
	PTO						
10°C (50°F)	MAG	360	340	320	300	270	250
	PTO						
20°C (68°F)	MAG	350	330	310	290	260	240
	PTO						

SUMMIT™ SPORT 146" 600

Drive Pulley

	SEA LEVEL 0 M (0 FT)	600 M (2000 FT)	1200 M (4000 FT)	1800 M (6000 FT)	2400 M (8000 FT)	3000 M (10000 FT)
Spring	Blue/Pink (P/N 414916300)		Green/Pink (P/N 414756900)			
Ramp	417 (P/N 417222552)					
Calibration Screw Position	3	4	2	3	4	5
Pin	Short solid 32 mm/16,75 g (P/N 417004308)		Short threaded 32 mm/10,88 g (P/N 417222477) 1 x set screw 20 mm (P/N 206262099)		Short threaded 32 mm/10,88 g (P/N 417222477)	
Engagement RPM \pm 100	3400		4100			
Maximum RPM \pm 100	8100					

Driven Pulley

	SEA LEVEL 0 M (0 FT)	600 M (2000 FT)	1200 M (4000 FT)	1800 M (6000 FT)	2400 M (8000 FT)	3000 M (10000 FT)
Spring	Black (P/N 417127039)					
Spring tension Kg \pm 0.7 (lb \pm 1.5)	N/A					
Cam angle (degrees)	43° - 47° (P/N 417127133)					

Carburation

NOTICE These adjustments are guidelines only. Specific adjustments vary with temperature, altitude and snow condition. Always observe spark plug condition for proper jetting.

		SEA LEVEL 0 M (0 FT)	600 M (2000 FT)	1200 M (4000 FT)	1800 M (6000 FT)	2400 M (8000 FT)	3000 M (10000 FT)	
Main jet	MAG	390	370	350	330	300	280	1
	PTO							1
Jet needle		9CEY2-58						2
Needle position		2						—
Slide cut-away		2.0						2
Pilot jet		17.5						2
Mixture screw		1.5			2			—
Valve seat		1.5						2
Needle jet		P-0M						2
Float level (± 1 mm)		N/A						—
Idle RPM (± 200)		1600						—
Idle throttle valve position (± 0.1 mm)		1.5	1.6	1.7	1.8	1.9		—

Main Jet Chart

		SEA LEVEL 0 M (0 FT)	600 M (2000 FT)	1200 M (4000 FT)	1800 M (6000 FT)	2400 M (8000 FT)	3000 M (10000 FT)
-40°C (-40°F)	MAG	410	390	370	350	320	300
	PTO						
-30°C (-22°F)	MAG	400	380	360	340	310	290
	PTO						
-20°C (-4°F)	MAG	390	370	350	330	300	280
	PTO						
-10°C (14°F)	MAG	380	360	340	320	290	270
	PTO						
0°C (32°F)	MAG	370	350	330	310	280	260
	PTO						
10°C (50°F)	MAG	360	340	320	300	270	250
	PTO						
20°C (68°F)	MAG	350	330	310	290	260	240
	PTO						

Vehicle Calibration

	SEA LEVEL 0 M (0 FT)	600 M (2000 FT)	1200 M (4000 FT)	1800 M (6000 FT)	2400 M (8000 FT)	3000 M (10000 FT)
Stopper Strap		4		3		2

EXPEDITION LE 600 HO E-TEC® / EXPEDITION SE 600 HO E-TEC

Drive Pulley

	SEA LEVEL 0 M (0 FT)	600 M (2000 FT)	1200 M (4000 FT)	1800 M (6000 FT)	2400 M (8000 FT)	3000 M (10000 FT)
Spring	Yellow/Red (P/N 414993000)					
Ramp	600 (P/N 417222444)					
Calibration Screw Position	2	3	4	2	3	4
Pin	Long solid 35.75 mm/18,8 g (P/N 417222594)			Short threaded 32 mm/10,88 g (P/N 417222477) 1 X set screw 16 mm (P/N 206261699)		
Engagement RPM ± 100	3000					
Maximum RPM ± 100	8100					

Driven Pulley

	SEA LEVEL 0 M (0 FT)	600 M (2000 FT)	1200 M (4000 FT)	1800 M (6000 FT)	2400 M (8000 FT)	3000 M (10000 FT)
Spring	White 2 (P/N 417127243)					
Spring tension Kg ± 0.7 (lb ± 1.5)	6.8 kgf (15 lbf)					
Cam angle (degrees)	40° (P/N 417127411)					

SKANDIC WT 600 HO E-TEC / SKANDIC SWT 600 HO E-TEC

Drive Pulley

	SEA LEVEL 0 M (0 FT)	600 M (2000 FT)	1200 M (4000 FT)	1800 M (6000 FT)	2400 M (8000 FT)	3000 M (10000 FT)
Spring	Yellow/Red (P/N 414993000)					
Ramp	600 (P/N 417222444)					
Calibration Screw Position	2	3	4	2	3	4
Pin	Long solid 35.75 mm/18,8 g (P/N 417222594)			Short threaded 32 mm/10,88 g (P/N 417222477)		
Engagement RPM \pm 100	3000					
Maximum RPM \pm 100	8100					

Driven Pulley

	SEA LEVEL 0 M (0 FT)	600 M (2000 FT)	1200 M (4000 FT)	1800 M (6000 FT)	2400 M (8000 FT)	3000 M (10000 FT)
Spring	White 2 (P/N 417127243)					
Spring tension Kg \pm 0.7 (lb \pm 1.5)	6.8 kgf (15 lbf)					
Cam angle (degrees)	41° - 45° (P/N 417127459)					

GRAND TOURING LE 600 HO E-TEC

Drive Pulley

	SEA LEVEL 0 M (0 FT)	600 M (2000 FT)	1200 M (4000 FT)	1800 M (6000 FT)	2400 M (8000 FT)	3000 M (10000 FT)
Spring	Red/Green (P/N 414689200)			Blue/Yellow (P/N 414689500)		
Ramp	414 (P/N 417222546)					
Calibration Screw Position	3	4	5	3	4	5
Pin	Short solid 32 mm/16,75 g (P/N 417004308)			Short no thread 32 mm/9,9 g (P/N 417004309)		
Engagement RPM \pm 100	3400			3600		
Maximum RPM \pm 100	8100					

Driven Pulley

	SEA LEVEL 0 M (0 FT)	600 M (2000 FT)	1200 M (4000 FT)	1800 M (6000 FT)	2400 M (8000 FT)	3000 M (10000 FT)
Spring	Green (P/N 417127137)					
Spring tension Kg \pm 0.7 (lb \pm 1.5)	N/A					
Cam angle (degrees)	48° (P/N 417127083)			42° - 40° (P/N 417127106)		

MX Z™ TNT 600 HO E-TEC /
MX Z BLIZZARD™ 600 HO E-TEC /
MX Z X™ 600 HO E-TEC /
MX Z X-RS™ 600 HO E-TEC /
RENEGADE™ ADRENALINE™ 600 HO E-TEC /
RENEGADE ENDURO 600 HO E-TEC /
RENEGADE BACKCOUNTRY™ 600 HO E-TEC /
RENEGADE X 600 HO E-TEC

Drive Pulley

	SEA LEVEL 0 M (0 FT)	600 M (2000 FT)	1200 M (4000 FT)	1800 M (6000 FT)	2400 M (8000 FT)	3000 M (10000 FT)
Spring	Blue/Green (P/N 414817700)			Purple/Yellow (P/N 415015300)		
Ramp	412 (P/N 417222515)			417 (P/N 417222552)		
Calibration Screw Position	3	4	5	2	3	4
Pin	Short solid 32 mm/16,75 g (P/N 417004308)			Short threaded 32 mm/10.88 g (P/N 417222477)		
Engagement RPM ± 100	3400			3800		
Maximum RPM ± 100	8100					

Driven Pulley

	SEA LEVEL 0 M (0 FT)	600 M (2000 FT)	1200 M (4000 FT)	1800 M (6000 FT)	2400 M (8000 FT)	3000 M (10000 FT)
Spring	Green (P/N 417127137)					
Spring tension Kg ± 0.7 (lb ± 1.5)	N/A					
Cam angle (degrees)	48° (P/N 417127083)			40° (P/N 417126956)		

TUNDRA Xtreme 600 HO E-TEC

Drive Pulley

	SEA LEVEL 0 M (0 FT)	600 M (2000 FT)	1200 M (4000 FT)	1800 M (6000 FT)	2400 M (8000 FT)	3000 M (10000 FT)
Spring	Red/Orange (P/N 415015200)			Blue/Green (P/N 414817700)		
Ramp	417 (P/N 417222552)					
Calibration Screw Position	3	4	5	3	4	5
Pin	Short threaded 32 mm/10,88 g (P/N 417222477) 1 x set screw/16 mm (P/N 206261699)			Short threaded 32 mm/10,88 g (P/N 417222477)		
Engagement RPM \pm 100	2800			3800		
Maximum RPM \pm 100	8100					

Driven Pulley

	SEA LEVEL 0 M (0 FT)	600 M (2000 FT)	1200 M (4000 FT)	1800 M (6000 FT)	2400 M (8000 FT)	3000 M (10000 FT)
Spring	Black (P/N 417127039)					
Spring tension Kg \pm 0.7 (lb \pm 1.5)	N/A					
Cam angle (degrees)	44° - 42° (P/N 417126973)			41° - 45° (P/N 417127105)		

Vehicle Calibration

	SEA LEVEL 0 M (0 FT)	600 M (2000 FT)	1200 M (4000 FT)	1800 M (6000 FT)	2400 M (8000 FT)	3000 M (10000 FT)
Stopper Strap	3					
Rear suspension extension	Locked			Free		

SUMMIT SP 146" AND 154" 600 HO E-TEC (CAN/USA)

Drive Pulley

	SEA LEVEL 0 M (0 FT)	600 M (2000 FT)	1200 M (4000 FT)	1800 M (6000 FT)	2400 M (8000 FT)	3000 M (10000 FT)
Spring	Blue/Green (P/N 414817700)		Purple/Green (P/N 415015400)			
Ramp	412 (P/N 417222515)		440 (P/N 417223096)			
Calibration Screw Position	3	4	3	4	5	6
Pin	Short solid 32 mm/16,75 g (P/N 417004308)		Short threaded 32 mm/10,88 g (P/N 417222477) 1 x set screw/16 mm (P/N 206261699)	Short threaded 32 mm/10,88 g (P/N 417222477)		
Engagement RPM \pm 100	3400		4000			
Maximum RPM \pm 100	8100					

Driven Pulley

	SEA LEVEL 0 M (0 FT)	600 M (2000 FT)	1200 M (4000 FT)	1800 M (6000 FT)	2400 M (8000 FT)	3000 M (10000 FT)
Spring	Black (P/N 417127039)					
Spring tension Kg \pm 0.7 (lb \pm 1.5)	N/A					
Cam angle (degrees)	41° - 45° XP (P/N 417127105)					

Vehicle Calibration

	SEA LEVEL 0 M (0 FT)	600 M (2000 FT)	1200 M (4000 FT)	1800 M (6000 FT)	2400 M (8000 FT)	3000 M (10000 FT)
Stopper Strap		4		3		2

SUMMIT SP 146" AND 154" 600 HO E-TEC (EUROPE)

Drive Pulley

	SEA LEVEL 0 M (0 FT)	600 M (2000 FT)	1200 M (4000 FT)	1800 M (6000 FT)	2400 M (8000 FT)	3000 M (10000 FT)
Spring	Blue/Green (P/N 414817700)		Purple/Green (P/N 415015400)			
Ramp	412 (P/N 417222515)		440 (P/N 417223096)			
Calibration Screw Position	3	4	3	4	5	6
Pin	Short solid 32 mm/16,75 g (P/N 417004308)		Short threaded 32 mm/10,88 g (P/N 417 222477) 1 x set screw/16 mm (P/N 206 261699)	Short threaded 32 mm/10,88 g (P/N 417222477)		
Engagement RPM \pm 100	3400		4000			
Maximum RPM \pm 100	8100					

Driven Pulley

	SEA LEVEL 0 M (0 FT)	600 M (2000 FT)	1200 M (4000 FT)	1800 M (6000 FT)	2400 M (8000 FT)	3000 M (10000 FT)
Spring	Black (P/N 417127039)					
Spring tension Kg \pm 0.7 (lb \pm 1.5)	N/A					
Cam angle (degrees)	41° - 45° (P/N 417127105)					

Vehicle Calibration

	SEA LEVEL 0 M (0 FT)	600 M (2000 FT)	1200 M (4000 FT)	1800 M (6000 FT)	2400 M (8000 FT)	3000 M (10000 FT)
Stopper Strap		4		3		2

RENEGADE ENDURO 800R E-TEC

Drive Pulley

	SEA LEVEL 0 M (0 FT)	600 M (2000 FT)	1200 M (4000 FT)	1800 M (6000 FT)	2400 M (8000 FT)	3000 M (10000 FT)
Spring	Blue/Green (P/N 414817700)		Blue/Blue (P/N 414689400)			
Ramp	414 (P/N 417222546)		413 (P/N 417222508)			
Calibration Screw Position	3	4	2	3	4	5
Pin	Long solid 35.75 mm/18.8 g (P/N 417222594)		Long threaded 35.75 mm/12.4 g (P/N 417222595) 1 set screw/12 mm (P/N 206261299)			
Engagement RPM \pm 100	3800		3900	4000		4100
Maximum RPM \pm 100	7900					

Driven Pulley

	SEA LEVEL 0 M (0 FT)	600 M (2000 FT)	1200 M (4000 FT)	1800 M (6000 FT)	2400 M (8000 FT)	3000 M (10000 FT)
Spring	Green (P/N 417127137)					
Spring tension Kg \pm 0.7 (lb \pm 1.5)	N/A					
Cam angle (degrees)	44° - 42° (P/N 417126973)					

EXPEDITION Xtreme 800R E-TEC (CAN / USA)

Drive Pulley

	SEA LEVEL 0 M (0 FT)	600 M (2000 FT)	1200 M (4000 FT)	1800 M (6000 FT)	2400 M (8000 FT)	3000 M (10000 FT)
Spring	Violet/Blue (P/N 415034900)		Blue/Pink (P/N 414916300)			
Ramp	450 (P/N 417224236)					
Calibration Screw Position	2	3	2	3	4	5
Pin	Long solid 35.75 mm/18.8 g (P/N 417222594)		Long threaded 35.75 mm/12.4 g (P/N 417222595) 1 set screw/12 mm (P/N 206261299)			
Engagement RPM \pm 100	3800		3900	4000		4100
Maximum RPM \pm 100	7900					

Driven Pulley

	SEA LEVEL 0 M (0 FT)	600 M (2000 FT)	1200 M (4000 FT)	1800 M (6000 FT)	2400 M (8000 FT)	3000 M (10000 FT)
Spring	Black (P/N 417127039)					
Spring tension Kg \pm 0.7 (lb \pm 1.5)	N/A					
Cam angle (degrees)	40° (P/N 417127411)					

EXPEDITION Xtreme 800R E-TEC (EUROPE)

Drive Pulley

	SEA LEVEL 0 M (0 FT)	600 M (2000 FT)	1200 M (4000 FT)	1800 M (6000 FT)	2400 M (8000 FT)	3000 M (10000 FT)
Spring	Yellow/Green (P/N 414742100)		Blue/Pink (P/N 414916300)			
Ramp	413 (P/N 417222508)					
Calibration Screw Position	2	3	2	3	4	5
Pin	Long solid 35.75 mm/18.8 g (P/N 417222594)		Long threaded 35.75 mm/12.4 g (P/N 417222595) 1 set screw/12 mm (P/N 206261299)			
Engagement RPM \pm 100	3800		3900	4000		4100
Maximum RPM \pm 100	7900					

Driven Pulley

	SEA LEVEL 0 M (0 FT)	600 M (2000 FT)	1200 M (4000 FT)	1800 M (6000 FT)	2400 M (8000 FT)	3000 M (10000 FT)
Spring	Black (P/N 417127039)					
Spring tension Kg \pm 0.7 (lb \pm 1.5)	N/A					
Cam angle (degrees)	40° (P/N 417127411)					

FREERIDE 137" 850 E-TEC

Drive Pulley

	SEA LEVEL 0 M (0 FT)	600 M (2000 FT)	1200 M (4000 FT)	1800 M (6000 FT)	2400 M (8000 FT)	3000 M (10000 FT)
Spring	Yellow/Blue (P/N 417224172)		Purple/White (P/N 417224167)			
Ramp	968 (P/N 417224227)		965 (P/N 417224141)			
Calibration Screw Position	3	4	3	4	5	
Pivot	33 mm/15,2 g (P/N 417224221)					26 mm/13,1 g (P/N 417224220)
Engagement RPM \pm 100	3600		3800			
Maximum RPM \pm 100	7900					

Driven Pulley

	SEA LEVEL 0 M (0 FT)	600 M (2000 FT)	1200 M (4000 FT)	1800 M (6000 FT)	2400 M (8000 FT)	3000 M (10000 FT)
Spring	Green (P/N 417127137)		Blue (P/N 417127118)			
Spring tension Kg \pm 0.7 (lb \pm 1.5)	N/A					
Cam angle (degrees)	44°-42° (P/N 417127325)		42°-38° XTI (P/N 417127564)			

Vehicle Calibration

	SEA LEVEL 0 M (0 FT)	600 M (2000 FT)	1200 M (4000 FT)	1800 M (6000 FT)	2400 M (8000 FT)	3000 M (10000 FT)
Stopper Strap		4		3		2

Chaincase Gears

1.75" PROFILE TRACK						
	Sea level 0 M (0 FT)	600 M (2000 FT)	1200 M (4000 FT)	1800 M (6000 FT)	2400 M (8000 FT)	3000 M (10000 FT)
Upper gear	23 (P/N 504091000)					
Lower gear	45 (P/N 504152593)					
Chain	108 (P/N 504152631)					

2.25" PROFILE TRACK						
	Sea level 0 M (0 FT)	600 M (2000 FT)	1200 M (4000 FT)	1800 M (6000 FT)	2400 M (8000 FT)	3000 M (10000 FT)
Upper gear	21 (P/N 504096200)					
Lower gear	45 (P/N 504152593)					
Chain	112 (P/N 504153268)					

FREERIDE 146" 850 E-TEC SEA-LEVEL / SUMMIT 146" 850 E-TEC SEA-LEVEL

Drive Pulley

	SEA LEVEL 0 M (0 FT)	600 M (2000 FT)	1200 M (4000 FT)	1800 M (6000 FT)	2400 M (8000 FT)	3000 M (10000 FT)
Spring	Blue/Yellow (P/N 417224015)		Purple/White (P/N 417224167)			
Ramp	990 (P/N 417224326)		965 (P/N 417224141)			
Calibration Screw Position	3	4	3	4	5	
Pivot	38 mm/ 16,7g (P/N 417224222)		33 mm/15,2 g (P/N 417224221)			26 mm/13,1 g (P/N 417224220)
Engagement RPM ± 100	3800		3800			
Maximum RPM ± 100	7900					

Driven Pulley

	SEA LEVEL 0 M (0 FT)	600 M (2000 FT)	1200 M (4000 FT)	1800 M (6000 FT)	2400 M (8000 FT)	3000 M (10000 FT)
Spring	Black (P/N 417127039)		Blue (P/N 417127118)			
Spring tension Kg ± 0.7 (lb ± 1.5)	N/A					
Cam angle (degrees)	42°-38° XTI (P/N 417127564)					

Vehicle Calibration

	SEA LEVEL 0 M (0 FT)	600 M (2000 FT)	1200 M (4000 FT)	1800 M (6000 FT)	2400 M (8000 FT)	3000 M (10000 FT)
Stopper Strap		4		3		2

Chaincase Gears

146" MODELS						
	Sea level 0 M (0 FT)	600 M (2000 FT)	1200 M (4000 FT)	1800 M (6000 FT)	2400 M (8000 FT)	3000 M (10000 FT)
Upper gear	21 (P/N 504096200)					
Lower gear	49 (P/N 504152581)					
Chain	114 (P/N 504153393)					

FREERIDE 154" AND 165" 850 E-TEC SEA-LEVEL / SUMMIT 154" AND 165" 850 E-TEC SEA-LEVEL

Drive Pulley

	SEA LEVEL 0 M (0 FT)	600 M (2000 FT)	1200 M (4000 FT)	1800 M (6000 FT)	2400 M (8000 FT)	3000 M (10000 FT)
Spring	Blue/Yellow (P/N 417224015)		Purple/White (P/N 417224167)			
Ramp	990 (P/N 417224326)		965 (P/N 417224141)			
Calibration Screw Position	3	4	3	4	5	
Pivot	38 mm/16,7 g (P/N 417224222)		33 mm/15,2 g (P/N 417224221)		26 mm/13,1 g (P/N 417224220)	
Engagement RPM ± 100	3800					
Maximum RPM ± 100	7900					

Driven Pulley

	SEA LEVEL 0 M (0 FT)	600 M (2000 FT)	1200 M (4000 FT)	1800 M (6000 FT)	2400 M (8000 FT)	3000 M (10000 FT)
Spring	Black (P/N 417127039)		Blue (P/N 417127118)			
Spring tension Kg ± 0.7 (lb ± 1.5)	N/A					
Cam angle (degrees)	40° XTI (P/N 417127532)					

Vehicle Calibration

	SEA LEVEL 0 M (0 FT)	600 M (2000 FT)	1200 M (4000 FT)	1800 M (6000 FT)	2400 M (8000 FT)	3000 M (10000 FT)
Stopper Strap		4		3		2

Chaincase Gears

FREERIDE 154" HILLCLIMB EDITION (EUROPE)						
	Sea level 0 M (0 FT)	600 M (2000 FT)	1200 M (4000 FT)	1800 M (6000 FT)	2400 M (8000 FT)	3000 M (10000 FT)
Upper gear		21 (P/N 504096200)				
Lower gear		49 (P/N 504152581)				
Chain		114 (P/N 504153393)				

154" MODELS						
	Sea level 0 M (0 FT)	600 M (2000 FT)	1200 M (4000 FT)	1800 M (6000 FT)	2400 M (8000 FT)	3000 M FT
Upper gear	21 (P/N 504096200)					
Lower gear	51 (P/N 504152971)					
Chain	116 (P/N 504153397)					

165" MODELS						
	Sea level 0 M (0 FT)	600 M (2000 FT)	1200 M (4000 FT)	1800 M (6000 FT)	2400 M (8000 FT)	3000 M FT
Upper gear	21 (P/N 504096200)					
Lower gear	53 (P/N 504153778)					
Chain	116 (P/N 504153397)					

SUMMIT 175" 850 E-TEC SEA-LEVEL

Drive Pulley

	SEA LEVEL 0 M (0 FT)	600 M (2000 FT)	1200 M (4000 FT)	1800 M (6000 FT)	2400 M (8000 FT)	3000 M (10000 FT)
Spring	Blue/Yellow (P/N 417224015)		Green/White (P/N 417224169)			
Ramp	990 (P/N 417224326)		965 (P/N 417224141)			
Calibration Screw Position	3	4	3	4	5	
Pivot	38 mm/16,7 g (P/N 417224222)		33 mm/15,2 g (P/N 417224221)		26 mm/13,1 g (P/N 417224220)	
Engagement RPM \pm 100	3800		4100			
Maximum RPM \pm 100	7900					

Driven Pulley

	SEA LEVEL 0 M (0 FT)	600 M (2000 FT)	1200 M (4000 FT)	1800 M (6000 FT)	2400 M (8000 FT)	3000 M (10000 FT)
Spring	Black (P/N 417127039)		Blue (P/N 417127118)			
Spring tension Kg \pm 0.7 (lb \pm 1.5)	N/A					
Cam angle (degrees)	40° XTI (P/N 417127532)					

Vehicle Calibration

	SEA LEVEL 0 M (0 FT)	600 M (2000 FT)	1200 M (4000 FT)	1800 M (6000 FT)	2400 M (8000 FT)	3000 M (10000 FT)
Stopper Strap		4		3		2

Chaincase Gears

175" MODELS						
	Sea level 0 M (0 FT)	600 M (2000 FT)	1200 M (4000 FT)	1800 M (6000 FT)	2400 M (8000 FT)	3000 M FT
Upper gear		21 (P/N 504096200)				
Lower gear		53 (P/N 504153778)				
Chain		116 (P/N 504153397)				

FREERIDE 146" 850 E-TEC HIGH ALTITUDE / SUMMIT 146" 850 E-TEC HIGH ALTITUDE

Drive Pulley

	SEA LEVEL 0 M (0 FT)	600 M (2000 FT)	1200 M (4000 FT)	1800 M (6000 FT)	2400 M (8000 FT)	3000 M (10000 FT)
Spring	Blue/Yellow (P/N 417224015)		Purple/White (P/N 417224167)			
Ramp	990 (P/N 417224326)		965 (P/N 417224141)			
Calibration Screw Position	3	4	3	4	5	
Pivot	38 mm/ 16,7g (P/N 417224222)		33 mm/15,2 g (P/N 417224221)		26 mm/13,1 g (P/N 417224220)	
Engagement RPM ± 100	3800					
Maximum RPM ± 100	7900					

Driven Pulley

	SEA LEVEL 0 M (0 FT)	600 M (2000 FT)	1200 M (4000 FT)	1800 M (6000 FT)	2400 M (8000 FT)	3000 M (10000 FT)
Spring	Black (P/N 417127039)		Blue (P/N 417127118)			
Spring tension Kg ± 0.7 (lb ± 1.5)	N/A					
Cam angle (degrees)	42°-38° XTI (P/N 417127564)					

Vehicle Calibration

	SEA LEVEL 0 M (0 FT)	600 M (2000 FT)	1200 M (4000 FT)	1800 M (6000 FT)	2400 M (8000 FT)	3000 M (10000 FT)
Stopper Strap		4		3		2

Chaincase Gears

146" MODELS						
	Sea level 0 M (0 FT)	600 M (2000 FT)	1200 M (4000 FT)	1800 M (6000 FT)	2400 M (8000 FT)	3000 M (10000 FT)
Upper gear	21 (P/N 504096200)					
Lower gear	49 (P/N 504152581)					
Chain	114 (P/N 504153393)					

Sea Level Calibration Kit

MODEL	PART NUMBER
146"	860201760

FREERIDE 154" AND 165" 850 E-TEC HIGH ALTITUDE / SUMMIT 154" AND 165" 850R E-TEC HIGH ALTITUDE

Drive Pulley

	SEA LEVEL 0 M (0 FT)	600 M (2000 FT)	1200 M (4000 FT)	1800 M (6000 FT)	2400 M (8000 FT)	3000 M (10000 FT)
Spring	Blue/Yellow (P/N 417224015)		Purple/White (P/N 417224167)			
Ramp	990 (P/N 417224326)		965 (P/N 417224141)			
Calibration Screw Position	3	4	3	4	5	
Pivot	38 mm/ 16,7g (P/N 417224222)		33 mm/15,2 g (P/N 417224221)		26 mm/13,1 g (P/N 417224220)	
Engagement RPM ± 100	3800					
Maximum RPM ± 100	7900					

Driven Pulley

	SEA LEVEL 0 M (0 FT)	600 M (2000 FT)	1200 M (4000 FT)	1800 M (6000 FT)	2400 M (8000 FT)	3000 M (10000 FT)
Spring	Black (P/N 417127039)		Blue (P/N 417127118)			
Spring tension Kg ± 0.7 (lb ± 1.5)	N/A					
Cam angle (degrees)	40° XTI (P/N 417127532)					

Vehicle Calibration

	SEA LEVEL 0 M (0 FT)	600 M (2000 FT)	1200 M (4000 FT)	1800 M (6000 FT)	2400 M (8000 FT)	3000 M (10000 FT)
Stopper Strap		4		3		2

Chaincase Gears

FREERIDE 154" HILLCLIMB EDITION (CAN/USA)						
	Sea level 0 M (0 FT)	600 M (2000 FT)	1200 M (4000 FT)	1800 M (6000 FT)	2400 M (8000 FT)	3000 M (10000 FT)
Upper gear	21 (P/N 504096200)					
Lower gear	49 (P/N 504152581)					
Chain	114 (P/N 504153393)					

154" MODELS (EXCEPT HILLCLIMB EDITION)						
SEA LEVEL 0 M (0 FT)	600 M (2000 FT)	1200 M (4000 FT)	1800 M (6000 FT)	2400 M (8000 FT)	3000 M (10000 FT)	
Upper gear	21 (P/N 504096200)					
Lower gear	51 (P/N 504152971)					
Chain	116 (P/N 504153397)					

165" MODELS						
SEA LEVEL 0 M (0 FT)	600 M (2000 FT)	1200 M (4000 FT)	1800 M (6000 FT)	2400 M (8000 FT)	3000 M (10000 FT)	
Upper gear	21 (P/N 504096200)					
Lower gear	53 (P/N 504153778)					
Chain	116 (P/N 504153397)					

Sea Level Calibration Kit

MODEL	PART NUMBER
154" and 165"	860201760

Summit 154" and 165" 850 E-TEC Gear Ratio and Application

NOTE: Summit are built for deep snow conditions and should never be used in marginal or hard pack snow conditions. Going to higher ratios could lead to reduced belt life and track delamination.

GEAR RATIO	APPLICATION	PRO'S	CON'S
21/51	Best all around gear ratio	Reference	116 km/h max speed. Rev limiter can turn on
21/53	Deep snow	Better belt life	111 km/h max speed. Rev limiter can turn on

SUMMIT 175" 850R E-TEC HIGH ALTITUDE

Drive Pulley

	SEA LEVEL 0 M (0 FT)	600 M (2000 FT)	1200 M (4000 FT)	1800 M (6000 FT)	2400 M (8000 FT)	3000 M (10000 FT)
Spring	Blue/Yellow (P/N 417224015)		Green/White (P/N 417224169)			
Ramp	990 (P/N 417224326)		965 (P/N 417224141)			
Calibration Screw Position	3	4	3	4	5	
Pivot	38 mm/ 16,7g (P/N 417224222)		33 mm/15,2 g (P/N 417224221)		26 mm/13,1 g (P/N 417224220)	
Engagement RPM ± 100	3800		4100			
Maximum RPM ± 100	7900					

Driven Pulley

	SEA LEVEL 0 M (0 FT)	600 M (2000 FT)	1200 M (4000 FT)	1800 M (6000 FT)	2400 M (8000 FT)	3000 M (10000 FT)
Spring	Black (P/N 417127039)		Blue (P/N 417127118)			
Spring tension Kg ± 0.7 (lb ± 1.5)	N/A					
Cam angle (degrees)	40° XTI (P/N 417127532)					

Vehicle Calibration

	SEA LEVEL 0 M (0 FT)	600 M (2000 FT)	1200 M (4000 FT)	1800 M (6000 FT)	2400 M (8000 FT)	3000 M (10000 FT)
Stopper Strap		4		3		2

Chaincase Gears

175" MODELS						
	SEA LEVEL 0 M (0 FT)	600 M (2000 FT)	1200 M (4000 FT)	1800 M (6000 FT)	2400 M (8000 FT)	3000 M (10000 FT)
Upper gear	21 (P/N 504096200)					
Lower gear	53 (P/N 504153778)					
Chain	116 (P/N 504153397)					

Sea Level Calibration Kit

MODEL	PART NUMBER
175"	860201760

MX Z TNT 850 E-TEC / MX Z BLIZZARD 850 E-TEC / MX Z X 850 E-TEC

Drive Pulley

	SEA LEVEL 0 M (0 FT)	600 M (2000 FT)	1200 M (4000 FT)	1800 M (6000 FT)	2400 M (8000 FT)	3000 M (10000 FT)
Spring	Blue/Blue (P/N 417224013)		Purple/Blue (P/N 417224165)			
Ramp	968 (P/N 417224227)		967 (P/N 417224225)			
Calibration Screw Position	3	4	2	3	4	5
Pivot	33 mm/15,2 g (P/N 417224221)		38 mm/ 16,7g (P/N 417224222)			
Engagement RPM ± 100	3800		4000			
Maximum RPM ± 100	7900					

Driven Pulley

	SEA LEVEL 0 M (0 FT)	600 M (2000 FT)	1200 M (4000 FT)	1800 M (6000 FT)	2400 M (8000 FT)	3000 M (10000 FT)
Spring	Green (P/N 417127137)					
Spring tension Kg ± 0.7 (lb ± 1.5)	N/A					
Cam angle (degrees)	45° - 42° (P/N 417127534)					

MX Z X-RS 850 E-TEC

Drive Pulley

	SEA LEVEL 0 M (0 FT)	600 M (2000 FT)	1200 M (4000 FT)	1800 M (6000 FT)	2400 M (8000 FT)	3000 M (10000 FT)
Spring	Blue/Blue (P/N 417224013)		Purple/Yellow (P/N 417224164)			
Ramp	968 (P/N 417224227)		967 (P/N 417224225)			
Calibration Screw Position	3	4	2	3	4	5
Pivot	33 mm/15,2 g (P/N 417224221)		38 mm/ 16,7g (P/N 417224222)			
Engagement RPM ± 100	3800		4000			
Maximum RPM ± 100	7900					

Driven Pulley

	SEA LEVEL 0 M (0 FT)	600 M (2000 FT)	1200 M (4000 FT)	1800 M (6000 FT)	2400 M (8000 FT)	3000 M (10000 FT)
Spring	Green (P/N 417127137)					
Spring tension Kg ± 0.7 (lb ± 1.5)	N/A					
Cam angle (degrees)	45° - 42° (P/N 417127534)		42° (P/N 417127372)			

RENEGADE ADRENALINE 850 E-TEC / RENEGADE X 850 E-TEC / RENEGADE X-RS 850 E-TEC

Drive Pulley

	SEA LEVEL 0 M (0 FT)	600 M (2000 FT)	1200 M (4000 FT)	1800 M (6000 FT)	2400 M (8000 FT)	3000 M (10000 FT)
Spring	Yellow/Blue (P/N 417224172)		Purple/Blue (P/N 417224165)			
Ramp	968 (P/N 417224227)		967 (P/N 417224225)			
Calibration Screw Position	3	4	2	3	4	5
Pivot	33 mm/18.8 g (P/N 417224221)		38 mm/ 16,7g (P/N 417224222)			
Engagement RPM ± 100	3800		4000			
Maximum RPM ± 100	7900					

Driven Pulley

	SEA LEVEL 0 M (0 FT)	600 M (2000 FT)	1200 M (4000 FT)	1800 M (6000 FT)	2400 M (8000 FT)	3000 M (10000 FT)
Spring	Green (P/N 417127137)					
Spring tension Kg ± 0.7 (lb ± 1.5)	N/A					
Cam angle (degrees)	44° - 42° (P/N 417126325)					

RENEGADE BACKCOUNTRY 850 E-TEC / RENEGADE BACKCOUNTRY X 850 E-TEC

Drive Pulley

	SEA LEVEL 0 M (0 FT)	600 M (2000 FT)	1200 M (4000 FT)	1800 M (6000 FT)	2400 M (8000 FT)	3000 M (10000 FT)
Spring	Blue/Yellow (P/N 417224015)		Purple/White (P/N 417224167)			
Ramp	990 (P/N 417224326)		965 (P/N 417224141)			
Calibration Screw Position	3	4	3	4	5	
Pivot	38 mm/16,7 g (P/N 417224222)		33 mm/18.8 g (P/N 417224221)		26 mm/13,1 g (P/N 417224220)	
Engagement RPM ± 100	3800					
Maximum RPM ± 100	7900					

Driven Pulley

	SEA LEVEL 0 M (0 FT)	600 M (2000 FT)	1200 M (4000 FT)	1800 M (6000 FT)	2400 M (8000 FT)	3000 M (10000 FT)
Spring	Black (P/N 417127039)		Blue (P/N 417127118)			
Spring tension Kg ± 0.7 (lb ± 1.5)	N/A					
Cam angle (degrees)	42° - 38° XTI (P/N 417127564)					

Vehicle Calibration

	SEA LEVEL 0 M (0 FT)	600 M (2000 FT)	1200 M (4000 FT)	1800 M (6000 FT)	2400 M (8000 FT)	3000 M (10000 FT)
Stopper Strap		4		3		2

Chaincase Gears

WITH 1.6" PROFILE TRACK						
	Sea level 0 M (0 FT)	600 M (2000 FT)	1200 M (4000 FT)	1800 M (6000 FT)	2400 M (8000 FT)	3000 M (10000 FT)
Upper gear	21 (P/N 504096200)					
Lower gear	45 (P/N 504152593)					
Chain	112 (P/N 504153268)					

WITH 2" PROFILE TRACK						
	Sea level 0 M (0 FT)	600 M (2000 FT)	1200 M (4000 FT)	1800 M (6000 FT)	2400 M (8000 FT)	3000 M FT
Upper gear	23 (P/N 504091000)					
Lower gear	51 (P/N 504152971)					
Chain	116 (P/N 504153397)					

**TUNDRA SPORT 600 ACE /
TUNDRA LT 600 ACE /
EXPEDITION SPORT 600 ACE /
RENEGADE SPORT 600 ACE**

Drive Pulley

	SEA LEVEL 0 M (0 FT)	600 M (2000 FT)	1200 M (4000 FT)	1800 M (6000 FT)	2400 M (8000 FT)	3000 M (10000 FT)
Spring	Red/White (P/N 417 223747)	Red/Red (P/N 417 223745)	Red/Yellow (P/N 417 223748)	Red/White (P/N 417223747)		Red/Red (P/N 417 223745)
Ramp	716 (P/N 417223450)			725 (P/N 417223601)		
Ramp quantity	6					
Engagement RPM \pm 100	2200					
Maximum RPM \pm 100	7250					

Driven Pulley

	SEA LEVEL 0 M (0 FT)	600 M (2000 FT)	1200 M (4000 FT)	1800 M (6000 FT)	2400 M (8000 FT)	3000 M (10000 FT)
Spring	Pink 3 (P/N 417127344)					
Spring tension Kg \pm 0.7 (lb \pm 1.5)	6.4 kgf (14.1 lbf)					
Cam angle (degrees)	41°-45° (P/N 417127235)					

GRAND TOURING SPORT 600 ACE / MX Z SPORT 600 ACE

Drive Pulley

	SEA LEVEL 0 M (0 FT)	600 M (2000 FT)	1200 M (4000 FT)	1800 M (6000 FT)	2400 M (8000 FT)	3000 M (10000 FT)
Spring	Red/Red (P/N 417 223745)	Red/Yellow (P/N 417 223748)	Red/Orange (P/N 417 223749)	Red/White (P/N 417223747)		Red/Red (P/N 417 223745)
Ramp	715 (P/N 417223452)			725 (P/N 417223601)		
Ramp quantity	6					
Engagement RPM \pm 100	2200					
Maximum RPM \pm 100	7250					

Driven Pulley

	SEA LEVEL 0 M (0 FT)	600 M (2000 FT)	1200 M (4000 FT)	1800 M (6000 FT)	2400 M (8000 FT)	3000 M (10000 FT)
Spring	Pink 3 (P/N 417127344)					
Spring tension Kg \pm 0.7 (lb \pm 1.5)	6.4 kgf (14.1 lbf)					
Cam angle (degrees)	41°-45° (P/N 417127235)					

SKANDIC WT 600 ACE

Drive Pulley

	SEA LEVEL 0 M (0 FT)	600 M (2000 FT)	1200 M (4000 FT)	1800 M (6000 FT)	2400 M (8000 FT)	3000 M (10000 FT)
Spring	Red/White (P/N 417 223747)	Red/Red (P/N 417 223745)	Red/White (P/N 417 223747)	Red/Red (P/N 417 223745)	Red/Yellow (P/N 417 223748)	Red/Orange (P/N 417 223749)
Ramp	716 (P/N 417223450)		725 (P/N 417223601)			
Ramp quantity	6					
Engagement RPM \pm 100	2200					
Maximum RPM \pm 100	7250					

Driven Pulley

	SEA LEVEL 0 M (0 FT)	600 M (2000 FT)	1200 M (4000 FT)	1800 M (6000 FT)	2400 M (8000 FT)	3000 M (10000 FT)
Spring	Pink 3 (P/N 417127344)					
Spring tension Kg \pm 0.7 (lb \pm 1.5)	6.4 kgf (14.1 lbf)					
Cam angle (degrees)	37°-45° (P/N 417127240)					

**EXPEDITION SPORT 900 ACE /
 GRAND TOURING LE 900 ACE /
 GRAND TOURING SE 900 ACE /
 MX Z TNT 900 ACE /
 MX Z BLIZZARD 900 ACE /
 RENEGADE ADRENALINE 900 ACE /
 RENEGADE ENDURO 900 ACE**

Drive Pulley

	SEA LEVEL 0 M (0 FT)	600 M (2000 FT)	1200 M (4000 FT)	1800 M (6000 FT)	2400 M (8000 FT)	3000 M (10000 FT)
Spring		Yellow/Blue (P/N 417224085)		Red/White (P/N 417223747)	Yellow/Blue (P/N 417224085)	
Ramp		749 (P/N 417224103)		751 (P/N 417224107)		
Engagement RPM \pm 100		2200				
Maximum RPM \pm 100		7250				

Driven Pulley

	SEA LEVEL 0 M (0 FT)	600 M (2000 FT)	1200 M (4000 FT)	1800 M (6000 FT)	2400 M (8000 FT)	3000 M (10000 FT)
Spring		Red/Red (P/N 417127467)				
Spring tension Kg \pm 0.7 (lb \pm 1.5)		7 kg (15.4 lb)				
Cam angle (degrees)		47° - 40° (P/N 417127474)				

SKANDIC WT 900 ACE / SKANDIC SWT 900 ACE / EXPEDITION LE 900 ACE / EXPEDITION SE 900 ACE

Drive Pulley

	SEA LEVEL 0 M (0 FT)	600 M (2000 FT)	1200 M (4000 FT)	1800 M (6000 FT)	2400 M (8000 FT)	3000 M (10000 FT)
Spring		Red/Red (P/N 417223745)	Red/White (P/N 417223747)		Yellow/Blue (P/N 417224085)	Yellow/Pink (P/N 417 224084)
Ramp		740 (P/N 417223679)	742 (P/N 417223918)			
Engagement RPM \pm 100	2200					
Maximum RPM \pm 100	7250					

Driven Pulley

	SEA LEVEL 0 M (0 FT)	600 M (2000 FT)	1200 M (4000 FT)	1800 M (6000 FT)	2400 M (8000 FT)	3000 M (10000 FT)
Spring	Orange/Orange (P/N 417127434)					
Spring tension Kg \pm 0.7 (lb \pm 1.5)	7 kg (15.4 lb)					
Cam angle (degrees)	44° - 40° (P/N 417127412)					

**MX Z TNT 1200 4-TEC /
 MX Z X 1200 4-TEC /
 MX Z BLIZZARD 1200 4-TEC /
 RENEGADE ADRENALINE 1200 4-TEC /
 RENEGADE X 1200 4-TEC /
 RENEGADE ENDURO 1200 4-TEC**

Drive Pulley

	SEA LEVEL 0 M (0 FT)	600 M (2000 FT)	1200 M (4000 FT)	1800 M (6000 FT)	2400 M (8000 FT)	3000 M (10000 FT)
Spring		Yellow/Pink (P/N 417224084)	Red/White (P/N 417 223747)		Yellow/Blue (P/N 417224085)	Yellow/Pink (P/N 417 224084)
Ramp		749 (P/N 417224103)	750 (P/N 417224105)			
Engagement RPM ± 100	2200					
Maximum RPM ± 100	8150					

Driven Pulley

	SEA LEVEL 0 M (0 FT)	600 M (2000 FT)	1200 M (4000 FT)	1800 M (6000 FT)	2400 M (8000 FT)	3000 M (10000 FT)
Spring	Beige2/Beige2 (P/N 417127242)					
Spring tension Kg ± 0.7 (lb ± 1.5)	7 kg (15.4 lb)					
Cam angle (degrees)	44° - 40° (P/N 417127476)					

GRAND TOURING LE 1200 4-TEC / GRAND TOURING SE 1200 4-TEC /

Drive Pulley

	SEA LEVEL 0 M (0 FT)	600 M (2000 FT)	1200 M (4000 FT)	1800 M (6000 FT)	2400 M (8000 FT)	3000 M (10000 FT)
Spring		Yellow/Pink (P/N 417224084)	Red/White (P/N 417 223747)		Yellow/Blue (P/N 417224085)	Yellow/Pink (P/N 417 224084)
Ramp		749 (P/N 417224103)	750 (P/N 417224105)			
Engagement RPM \pm 100	2200					
Maximum RPM \pm 100	8150					

Driven Pulley

	SEA LEVEL 0 M (0 FT)	600 M (2000 FT)	1200 M (4000 FT)	1800 M (6000 FT)	2400 M (8000 FT)	3000 M (10000 FT)
Spring		Red/Red (P/N 417127467)				
Spring tension Kg \pm 0.7 (lb \pm 1.5)		7 kg (15.4 lb)				
Cam angle (degrees)		44° - 40° (P/N 417127476)				

EXPEDITION LE 1200 4-TEC / EXPEDITION SE 1200 4-TEC

Drive Pulley

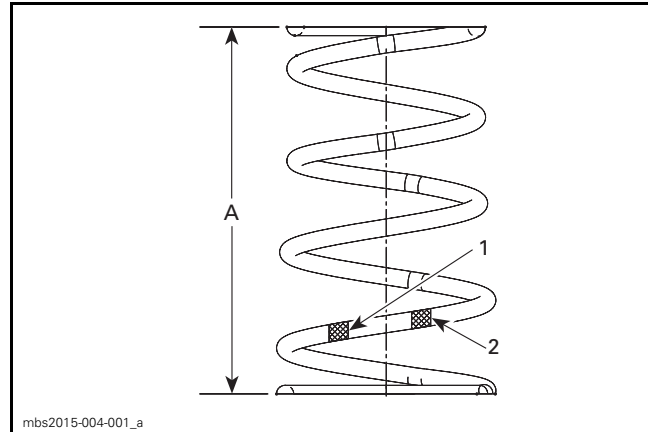
	SEA LEVEL 0 M (0 FT)	600 M (2000 FT)	1200 M (4000 FT)	1800 M (6000 FT)	2400 M (8000 FT)	3000 M (10000 FT)
Spring		Yellow/Blue (P/N 417224085)	Red/White (P/N 417 223747)		Yellow/Blue (P/N 417224085)	Yellow/Pink (P/N 417 224084)
Ramp		749 (P/N 417224103)	750 (P/N 417224105)			
Engagement RPM \pm 100	2200					
Maximum RPM \pm 100	7900					

Driven Pulley

	SEA LEVEL 0 M (0 FT)	600 M (2000 FT)	1200 M (4000 FT)	1800 M (6000 FT)	2400 M (8000 FT)	3000 M (10000 FT)
Spring	Pink 4 (P/N 417127421)					
Spring tension Kg \pm 0.7 (lb \pm 1.5)	7 kg (15.4 lb)					
Cam angle (degrees)	44° - 40 (P/N 417127424)					

OPTIONAL DRIVE PULLEY SPRING RATES AND SPECIFICATIONS

The springs for TRA pulleys can not be installed on eDrive II or eDrive II LC.



mbs2015-004-001_a
TYPICAL - COLOR CODE
 1. 1st color
 2. 2nd color

eDrive II (900 ACE / 1200 4-TEC) and eDrive II LC (550F / 600 ACE)

SPRING SPECIFICATIONS							
PART NUMBER	WIRE DIA.	FREE LENGHT	LOAD ± 10% WHEN "A" = 60.6 MM		LOAD ± 10% WHEN "A" = 28 MM		COLOR CODE
	MM		N	LBS	N	LBS	
417223745	4.50	97.9	356	80	667	150	Red / Red
417223747	4.30	108.0	356	80	600	135	Red / White
417223748	4.80	87.3	355	80	789	177	Red / Yellow
417223749	4.80	84.3	355	80	845	190	Red / Orange
417223750	5.0	80.5	355	80	934	210	Red / Green
417224084	4.50	105.4	489	110	845	190	Yellow / Pink
417224085	4.30	120.0	446	100	690	155	Yellow / Blue