

CX
SERIES

24.5 HP

COMPACT TRACTORS



Small Size, Big Lift Power



CX SERIES

BIG PERFORMANCE IN A COMPACT FRAME, BUILT TO HANDLE TOUGH JOBS IN TIGHT SPACES

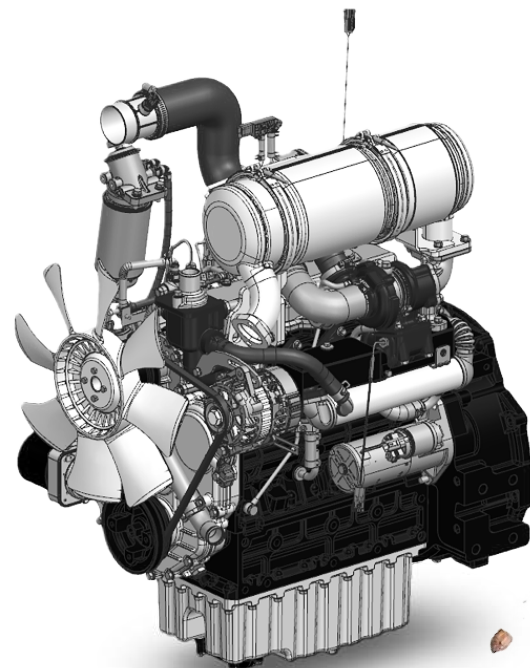
Don't let the size fool you—the KIOTI CX Series tractors pack serious power into a compact design. Ideal for working in tight spaces, these machines are built for performance, durability, and versatility. With user-friendly controls, efficient hydraulics, and optional attachments, the CX Series is ready to tackle everything from landscaping and property maintenance to light construction and farming tasks. Whether you're navigating narrow pathways or handling heavy loads, the CX Series delivers dependable performance that works as hard as you do.

**WE DIG
DIRT**

- KIOTI 3-Cylinder In-Line Vertical, Water-Cooled 4-Cycle Turbo Diesel Engine
- 24.5 HP
- Hydrostatic or Manual Transmission
- Single Lever Joystick
- 3-Point Hitch
- Wet Multi-Disc Brakes
- Power Steering with Tilt
- Suspension Seat
- Twin HST Pedals (HST Models)
- Cruise Control (HST Models)
- Cab and ROPS Models
- Illuminated Dashboard

CX SERIES

PERFORMANCE YOU CAN RELY ON



3-Cylinder Diesel Engine

The KIOTI CX Series comes equipped with a durable 3-cylinder, in-line, water-cooled 4-cycle diesel engine. Designed for reliability and efficiency, it delivers steady power with reduced vibration and easy maintenance.

Torque Compensation

Enables the engine to maintain a consistent and stable torque level under all conditions. Delivers unwavering power, engineered to conquer the sudden loads and increased demands of tough field conditions.

Proven Quality of Performance

KIOTI engines are known for exceptional performance and fuel efficiency. Backed by over 65 years of innovation, they meet rigorous global standards like EPA, CARB, and EEC certifications. Built for reliability and durability, these engines are a trusted choice for a wide range of demanding applications.



Two Range Transmission

The two-range transmission offers low-end torque for tough tasks and higher speeds for travel, giving you the flexibility to tackle jobs efficiently and confidently.



Hydrostatic or Manual Transmission

Choose hydrostatic for smooth, clutch-free control or manual for dependable torque and precision—two transmission options to match your tasks and preferences.



Single Lever Joystick

The joystick provides single-lever control for the loader functions. When released, it returns to neutral, stopping the loader in its current position. A float position allows the bucket to float freely over the ground surface.



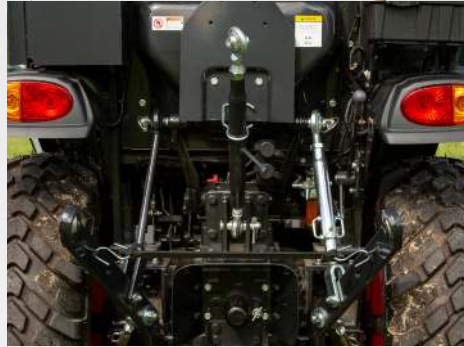
Wet Multi-Disc Brakes

Wet multi-disc brakes deliver smooth, dependable stopping power—engineered for long life, minimal maintenance, and outstanding performance in any weather.



Transmission or Live PTO

Available with transmission or live PTO options, giving you the flexibility to match implement needs and ensure consistent, efficient power transfer.



3-Point Hitch

Maximize versatility with the robust Category I 3-point hitch. Adjustable lower links and stabilizers provide secure, precise implement attachment for improved control and efficiency on every job.



Twin HST Pedals (HST Models)

Enable easy forward and reverse movement, with smooth acceleration and deceleration. The dual pedals simplify operation, reducing operator fatigue during long hours of work and repetitive tasks.



Heavy Lift Capacity

With a 1,092 pound loader lift capacity, the CX Series handles heavy loads with ease, making it ideal for landscaping, hauling and maintenance work.



Mid-Mount Mower (Optional)

The KM2560 mid-mount mower offers quick drive-over attachment, smooth operation, and excellent cut quality—perfect for boosting versatility and efficiency on your tractor.



Mid PTO (Cab Models)

Mid PTO, optional on ROPS models, powers front-mounted implements and lets you operate rear and mid PTOs independently or simultaneously for greater versatility and nonstop productivity.



CX SERIES DESIGNED FOR COMFORT, BUILT FOR EASE



Power Steering with Tilt

Hydrostatic power steering minimizes the effort required to make tight, repetitive turns. The standard tilt steering wheel ensures all operators have a comfortable driving experience.



Cruise Control (HST Models)

Maintain consistent speeds effortlessly with the integrated cruise control. Perfect for tasks like mowing or spraying, simply set your desired speed and let the tractor do the work, reducing fatigue and ensuring a uniform finish.



Illuminated Dashboard

The dashboard illuminates when the engine starts. The digital gauge package includes a tachometer, fuel and temperature gauges, and a low fuel warning lamp.



Cab & ROPS Models

Choose your comfort and configuration with the CX Series, available with either a Roll-Over Protective Structure (ROPS) for open-air versatility or an enclosed cab for all-weather comfort.



KIOTI Connect Capable

KIOTI Connect is an intuitive app that provides real-time insights, maintenance tracking, and remote diagnostics, keeping you connected to your machine like never before.



Quick Attach & Detach Loader

Easily remove or install the loader in minutes, enabling fast changes for smooth, comfortable, and efficient operation.



Four-Wheel Drive

Four-wheel drive provides increased traction and enhanced brake performance for seamless on- and off-road transitions.



Suspension Seat

Provides a comfortable ride for the operator, even on rough terrain.





INCREASED PRODUCTIVITY

Improved performance, work faster & more efficiently



IMPROVED EFFICIENCY

Controls within easy reach for convenience



CAB & ROPS MODELS

Open-air versatility or all weather comfort



SERIES
KIOTI



Streamlined Hood Design

The streamlined hood design improves visibility for the operator. A vertically opening hood allows easy access to the air filter, fluid service and inspection points, fuse box, and electrical components.



Foldable ROPS (ROPS Models)

The standard fold-down rollover protection structure makes it quick and easy to maneuver in tight spaces with low clearance.



12V Power Socket & USB Port

Power essential accessories or tools on the go with the built-in socket and convenient USB charging port.



Ergonomic Operator Station

The ergonomically designed workstation ensures all operator controls are easily within reach. Featuring a seat belt and operator presence switch, the CS Series prioritizes safety for every operator.



Dual-Beam Headlights

The dual-beam headlights offer bright, reliable illumination for early starts or late finishes—perfect for safe, productive work in low-light conditions.



Toolbox

A built-in toolbox keeps essential tools and gear within easy reach, adding convenience and saving time during maintenance, adjustments, or fieldwork.



Rubber Floor Mat

Designed to protect the base of your tractor from dents and scratches, ensuring long-lasting durability. Additionally, these mats are easy to clean, allowing for quick removal of dirt and debris.



Convenient Drink Holder

Keep your drinks secure and within easy reach, so you can stay hydrated and focused while on the job.

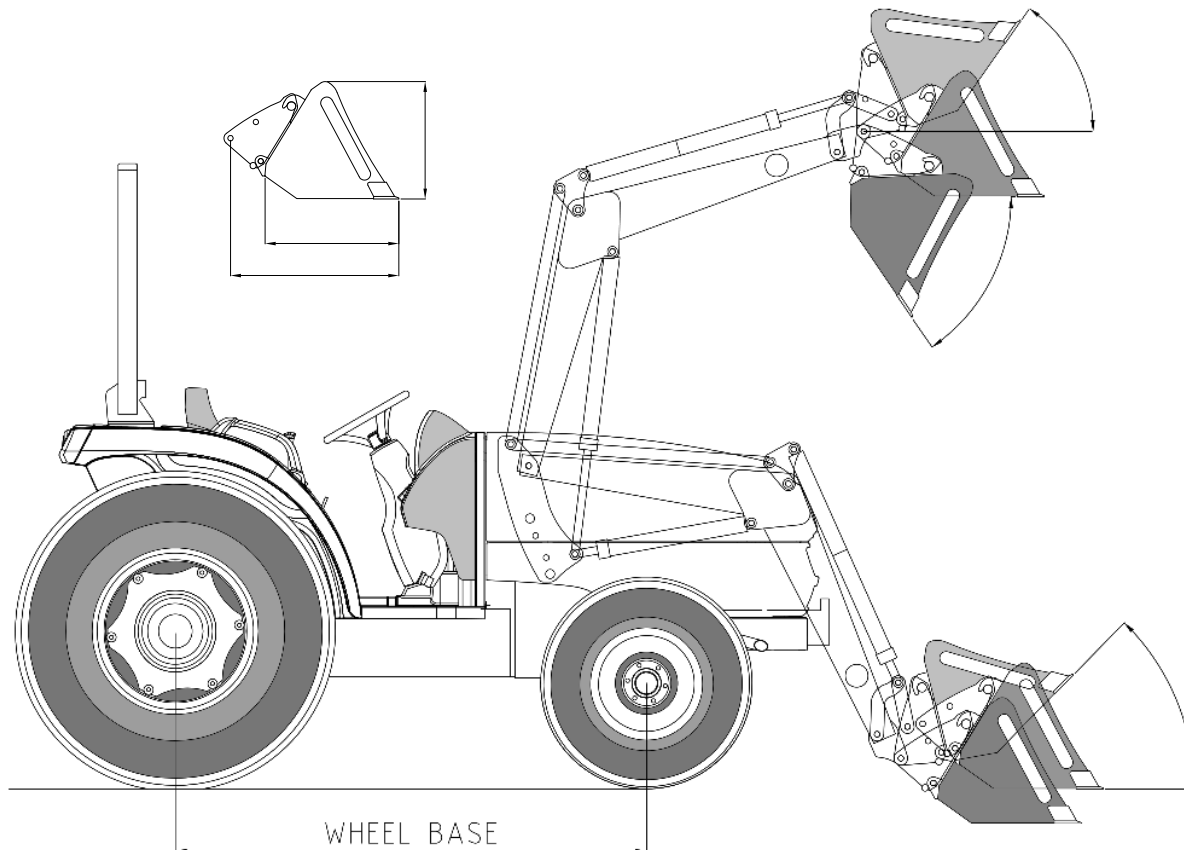


KIOTI

ATTACHMENTS

FRONT END LOADER

The KIOTI KL2510 front end loader is specially designed for the CX Series, providing efficient performance with single joystick control and a quick attach bucket. The KIOTI loader is designed for quick and easy attachment and detachment.



LOADER SPECIFICATIONS

MODEL		KL2510
Maximum Lift Height to Pivot Pin	in. (mm)	87.8 (2,230.0)
Clearance w/ Bucket Level	in. (mm)	84.3 (2,141.0)
Clearance w/ Bucket Dumped	in. (mm)	67.2 (1,706.0)
Reach at Maximum Height	in. (mm)	31.5 (800.0)
Maximum Dump Angle	deg.	53
Reach w/ Bucket on Ground	in. (mm)	59.8 (1,520.0)
Maximum Rollback Angle	deg.	35
Digging Depth Below Grade	in. (mm)	3.9 (99.0)
Overall Height in Carry Position	in. (mm)	40.0 (1,016.0)
Bucket Depth (Inner Shell)	in. (mm)	19.9 (505.0)
Bucket Height	in. (mm)	20.7 (526.0)
Bucket Length (Pivot Pin)	in. (mm)	26.9 (682.0)
Lift Capacity to Full Height at Pivot Pins	lb. (kg)	1,092.0 (495.3)
Breakout Force at Pivot Pins	lb. (kg)	1,843.0 (836.0)
Bucket Rollback Force at Ground Line	lb. (kg)	1,416.0 (642.3)
Relief Valve Setting (Loader Control Valve)	psi (bar)	2,275.0 (156.9)
Rated Flow (Tractor System)	gpm (L/min)	6.9 (26.1)
Bucket Size Available (QA)	in. (mm)	50.0 (1,270.0)
Approximate Weight (With Bucket)	lb. (kg)	605.0 (274.4)
Bucket Capacity (Heaped)	cu. ft. (m ³)	7.8 (0.2)

NOTE: specifications and design are subject to change without notice.

SPECIFICATIONS

MODEL		CX2510	CX2510 HST	CX2510 HST CAB
ENGINE				
Model		3A165LWH-U2		3A165LWH-U3
Type		KIOTI 3 Cylinder, In-Line Vertical, Water-Cooled 4-Cycle Turbo Diesel		
Engine Gross	HP (kW)	24.5 (18.3)		
PTO	HP (kW)	19.3 (14.4)	18.8 (14.0)	
Displacement	cu. in. (cc)	100.5 (1,647.0)		
Rated Revolution	rpm	2,600		
Fuel Tank Capacity	gal. (ℓ)	6.6 (25.0)		
DRIVE TRAIN				
Clutch		Dry Single		
Transmission		Manual	Hydrostatic	
Speeds		6F/2R	Infinite, 2 Range	
Differential Lock		Rear Standard		
Brake		Wet Disc Type		
PTO Type		Transmission	Live	
Rear PTO	rpm	540		
Mid PTO	rpm	2,000 (Optional)	2,000 (Standard)	
4WD Type		Mechanical Engagement		
HYDRAULIC SYSTEM				
Pump		Gear		
Pump Capacity (Max. Flow Rate)	gpm (L/min)	11.3 (42.9)		
3-Point Hitch		Category I		
Maximum Lifting Capacity*	lb. (kg)	1,203.0 (545.7)		
Hydraulic Lift Control System		Position		
Number of Remote Valves		1 Optional	1 Standard	
Steering		Power Steering		
TIRE SIZE				
Front AG. (Turf, Industrial)		7.0-12 (23x8.5-12, 23x8.5-12)		
Rear AG. (Turf, Industrial)		11.2-16 (33x12.5-16.5, 12-16.5)		
TRAVELING SPEEDS (MAX)				
Forward	mph (km/h)	0.75-10.8 (1.22-19.07)	0-10.7 (0-21.74)	
Reverse	mph (km/h)	0.92-4.2 (1.51-7.40)	0-7.46 (0-15.22)	
DIMENSIONS				
Overall Length (Includes 3-pt Hitch)	in. (mm)	109.8 (2,790.0)		111.0 (2,820.0)
Overall Width (Minimum Tread)	in. (mm)	49.4 (1,256.0)		
Overall Height (From Top of ROPS)	in. (mm)	82.8 (2,103.0)		86.6 (2,200.0)
Wheelbase	in. (mm)	59.8 (1,520.0)		
Min. Ground Clearance	in. (mm)	13.4 (340.0)		
Tread	Front (AG.)	in. (mm)	38.1 (968.0)	
	Rear (AG.)	in. (mm)	37.4 (951.0)	
Min. Turning Radius (With Brake)	ft. (m)	9.0 (2.7)		
Weight with AG. Tires	lb. (kg)	2,308.0 (1,046.9)		2,804.0 (1,271.9)

* @ 24" aft. of hitch

NOTE: specifications and design are subject to change without notice.



Daedong - USA, Inc.
KIOTI Tractor Division
 6300 KIOTI Drive, Wendell, NC 27591 USA
 Toll free 877-GO-KIOTI Fax 919-374-5001
 Web www.KIOTI.com

STANDARD EQUIPMENT

- Hydrostatic Power Steering
- Rear PTO
- Headlights
- Safety Lights
- Cup Holder
- Illuminated Dashboard
- Wet Multi Disc Brakes
- Joystick Valve
- Parking Brake
- Adjustable Seat with Dual Armrests
- Toolbox
- Cruise Control (HST Models)
- Rear Working Light (Cab Models)
- Single Remote Hydraulic Valve (Cab Models)
- Mid PTO (Cab Models)

OPTIONAL EQUIPMENT

- Single Remote Hydraulic Valve (ROPS Models)
- Rear Working Light (ROPS Models)
- Mid PTO (ROPS Models)
- Front Weight
- 7 Pin Socket
- 3rd Function Kit
- Sun Canopy
- Clevis Type Drawbar
- Engine Block Heater
- Beacon Lamp Wire Kit
- Dual Air Filter
- HST Linked Pedals
- Stereo (Cab Models)

Dealer Imprint Area