

KUKJE A1700T2-ETC Branson Engine

Parts Catalogue

FIG A001

CYLINDER BLOCK

Year/Month

2020/02

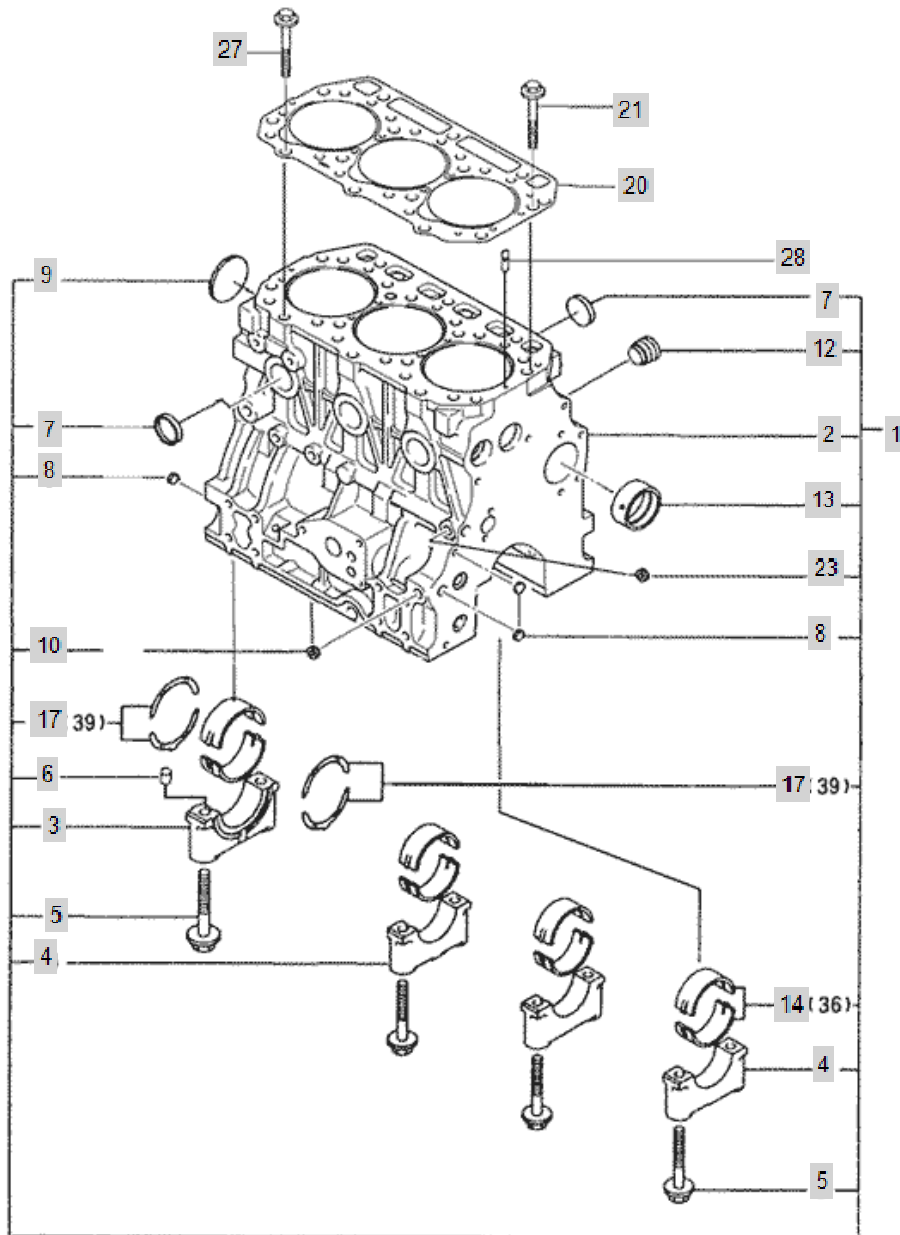


FIG A002

GEAR CASE

Year/Month

2020/02

A1700T2-ETC

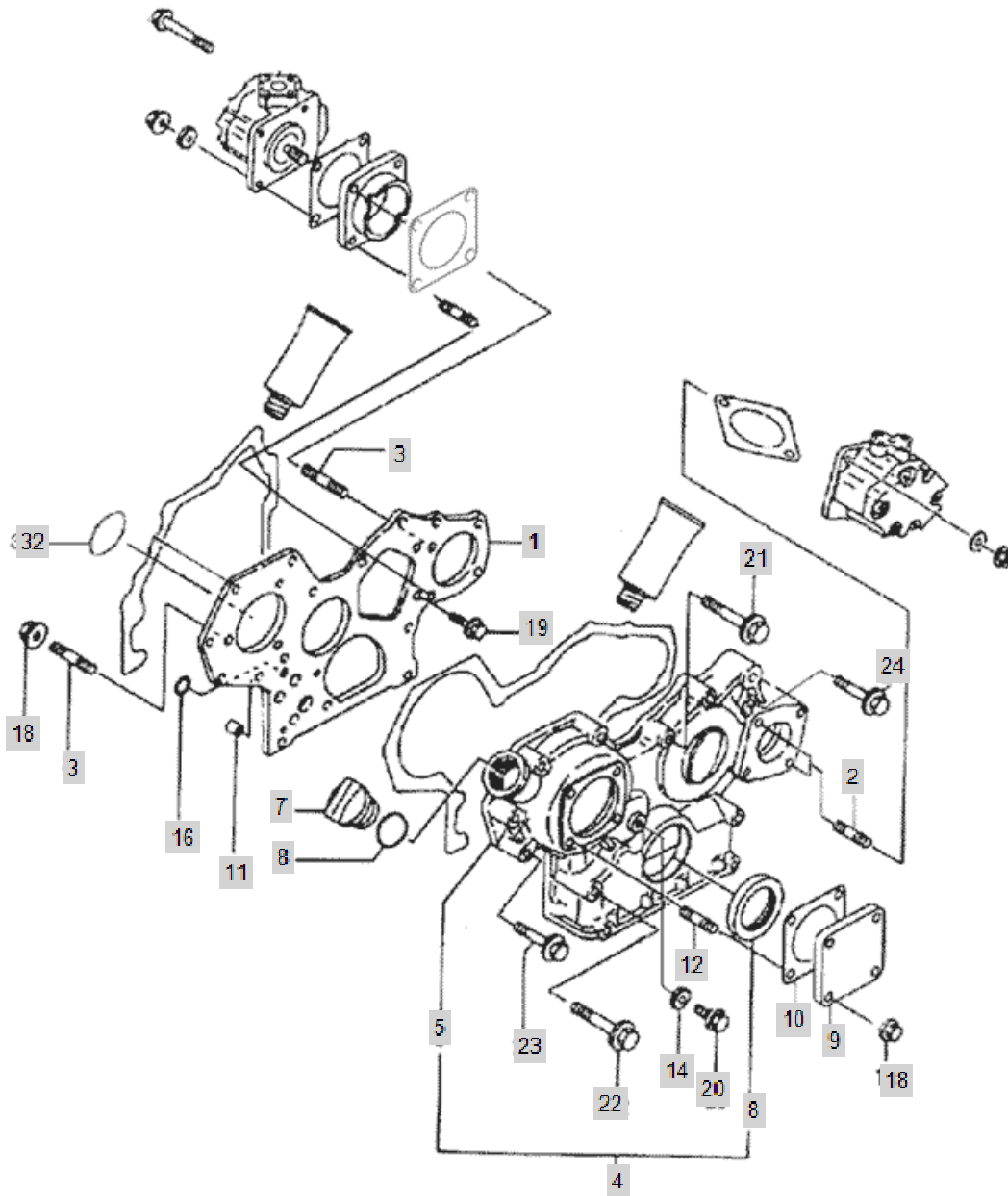


FIG A003

MOUNTING FLANGE & OIL PAN

Year/Month

2020/02

A1700T2-ETC

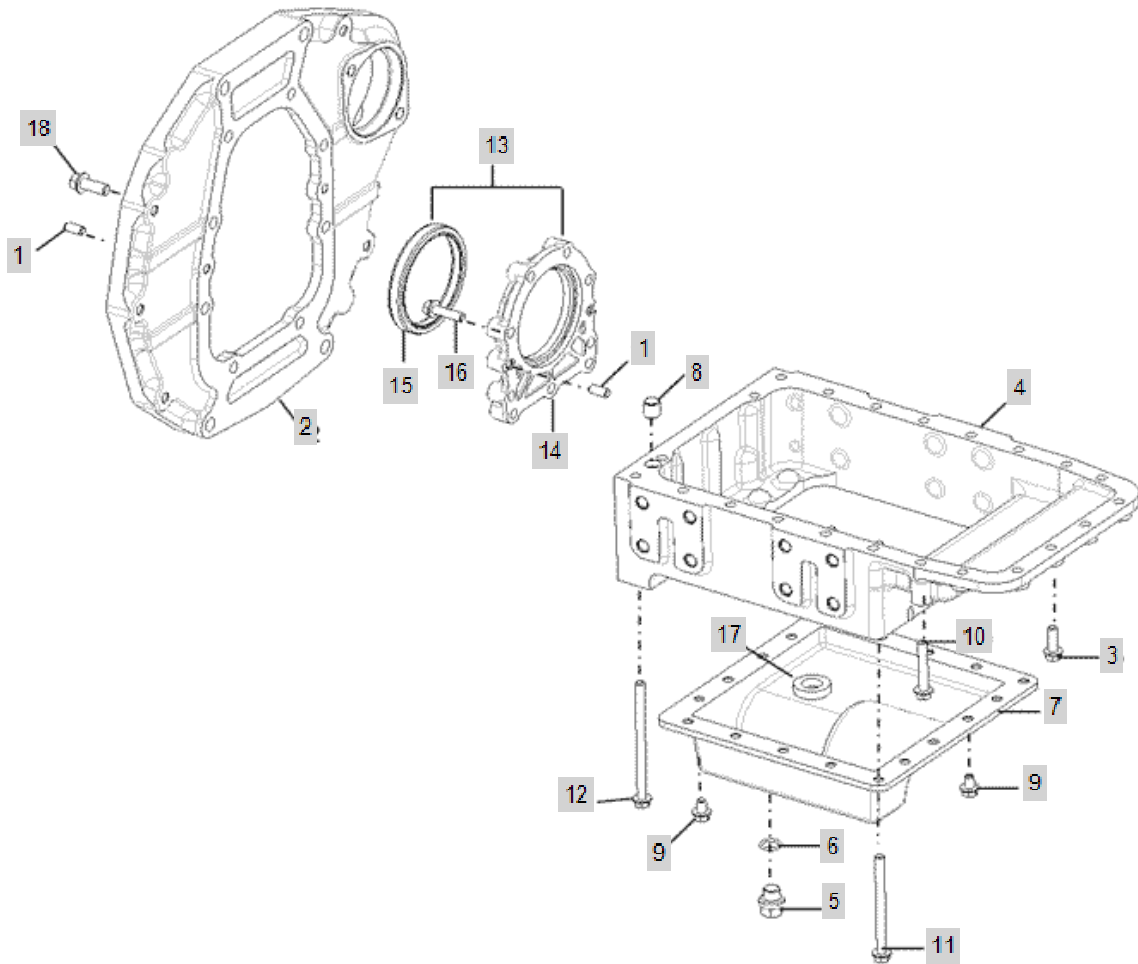


FIG A004A

CYLINDER HEAD & HEAD COVER(A1700T2-ETC)

Year/Month

2020/02

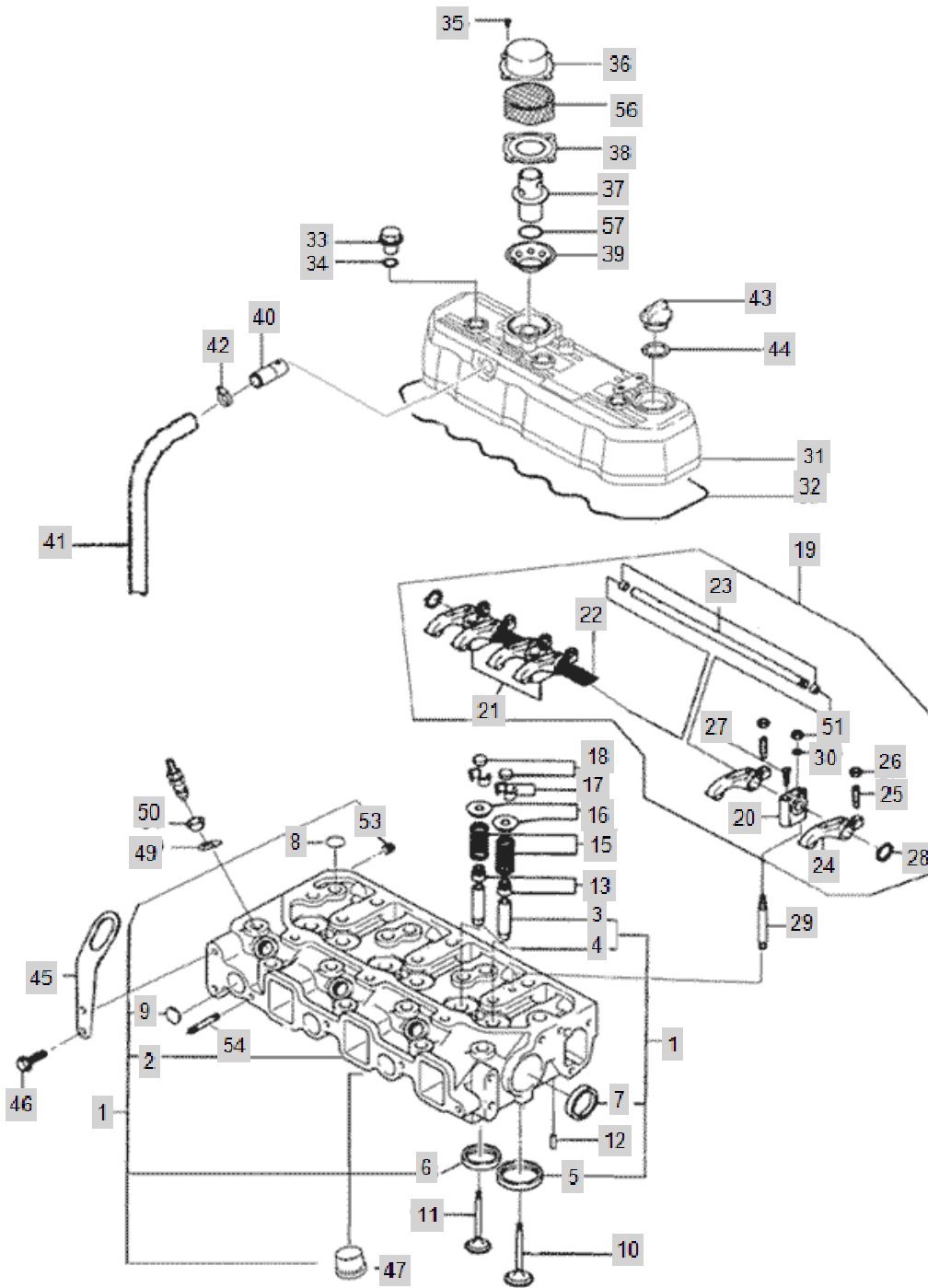


FIG A004A		CYLINDER HEAD & HEAD COVER(A1700T2-ETC)			Year/Month
A1700T2-ETC					2020/02
KeyNo.	Part Number	Part Name	Quantity	Other	
1	EA00003265A	HAED, CYLINDER	1		
2	EA00003266A	HEAD, CYLINDER	1		
3	HRA0400103C4	GUIDE,VALVE STEM	3		
4	HRA0400103C4	GUIDE,VALVE STEM	3		
5	HRA0400104B4	SEAT,ENGINEINTAKEVALVE	3		
6	HRA0400105B4	SEAT,ENGINE EXHAUST VALVE	3		
7	27241-400000	PLUG (D40)	2		
8	27241-220000	PLUG,EXPANSION	3		
9	27241-220000	PLUG,EXPANSION	3		
10	HRA0400200A4	VALVE,INTAKE	3		
11	HRA0400300A4	VALVE,EXHAUST	3		
12	22312-040100	PIN, DOWEL (4-10)	2		
13	HA03070000A4	SEAL,VALVESTEM	6		
15	HRA0400700A4	SPRING,VALVE	6		
16	HRA0400800A4	RETAINER,VALVESPRING	6		
17	HRA0400900A4	COTTER,VALVE	12		
18	HK03680000B4	CAP,VALVE	6		
19	HRD0401100B2	LEVER, ROCKER	1		
20	HRA0401200A4	SUPPORT,ROCKERLEVER	1		
21	HRA0401300A4	SUPPORT,ROCKERLEVER	2		
22	HRA0401400A4	SPRING,COMPRESSION	2		
23	HRD0401500B3	SHAFT, ROCKER LEVER	1		
24	HRA0401600B4	LEVER,ROCKER	6		
25	AF02110000E4	SCREW,RKRLEVERADJUSTING	6		
26	HH05280000A4	NUT,VALVEADJUSTING	6		
27	26921-080102	SCREW,SLOTTEDSET	1		
28	22242-000190	SNAP RING, SHAFT (Φ 19)	2		
29	HRA0401800A4	STUD	3		
30	22117-120000	WASHER, PLAIN (Φ 12)	3		
31	HRD0402300C0	COVER, VALVE	1		
32	HRD0402400B3	GASKET,VALVECOVER	1		
33	HA03520000B4	NUT,HEXAGONCAP	3		
34	24311-000140	O-RING, DYNAMIC (Φ14)	3		
35	26587-040102	SCREW,FILLISTERHEADCAP	4		
36	HRA0403600A4	COVER,BREATHER	1		
37	HRA0403700A4	Valve, Pressure Relief	1		
38	HRA0403800A4	GASKET,BREATHER	1		
39	HRA0403900A4	PLATE,BREATHERADJUSTING	1		
40	HRA0404000A4	TUBE,BREATHER	1		
41	HRD0404100C3	BREATHER HOSE	1		
42	23080-020000	CLAMP, V BAND	1		
43	HC03470000B4	CAP,FILTER	1		
44	24311-000320	O-RING, DYNAMIC (Φ32)	1		
45	HK03530000A4	BRACKET,LIFTING	1		
46	26106-080162	SCREW,HEXFLANGEHEADCAP	2		

FIG A005-1

INTAKE MANIFOLD

Year/Month

A1700T2-ETC

2020/02

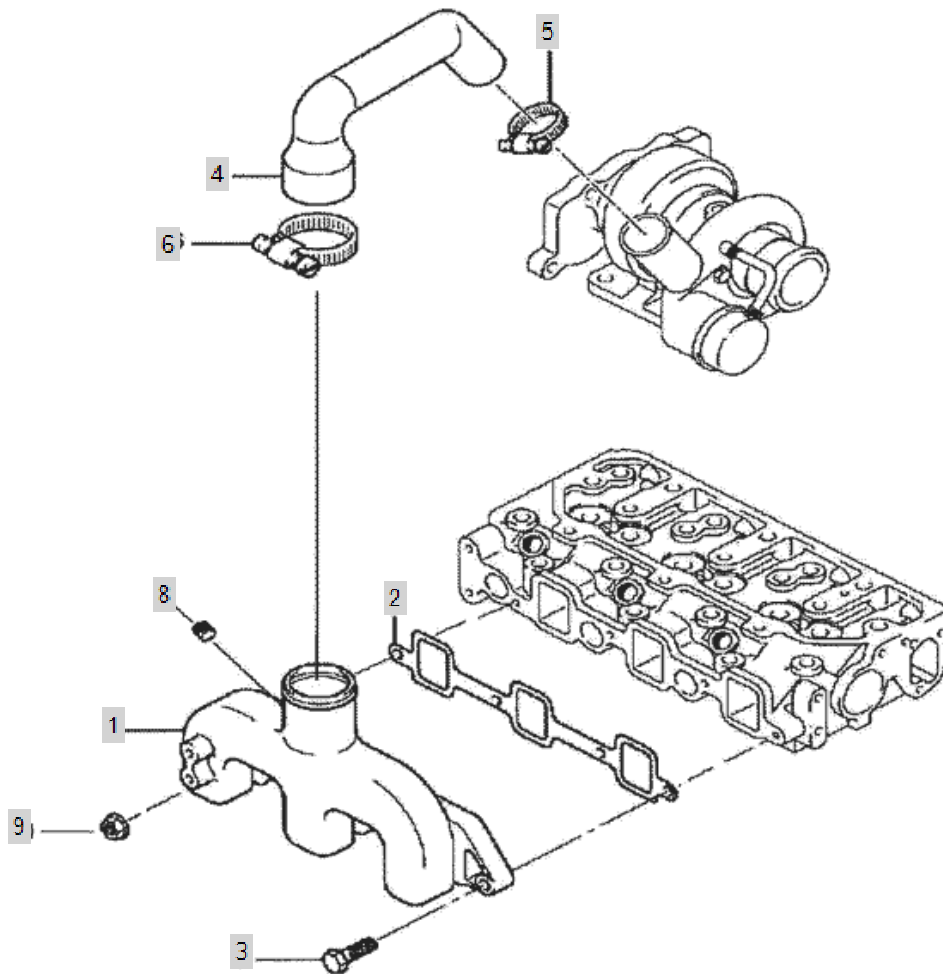


FIG A005-2

INTAKE MANIFOLD(2018.05~)

Year/Month

2020/02

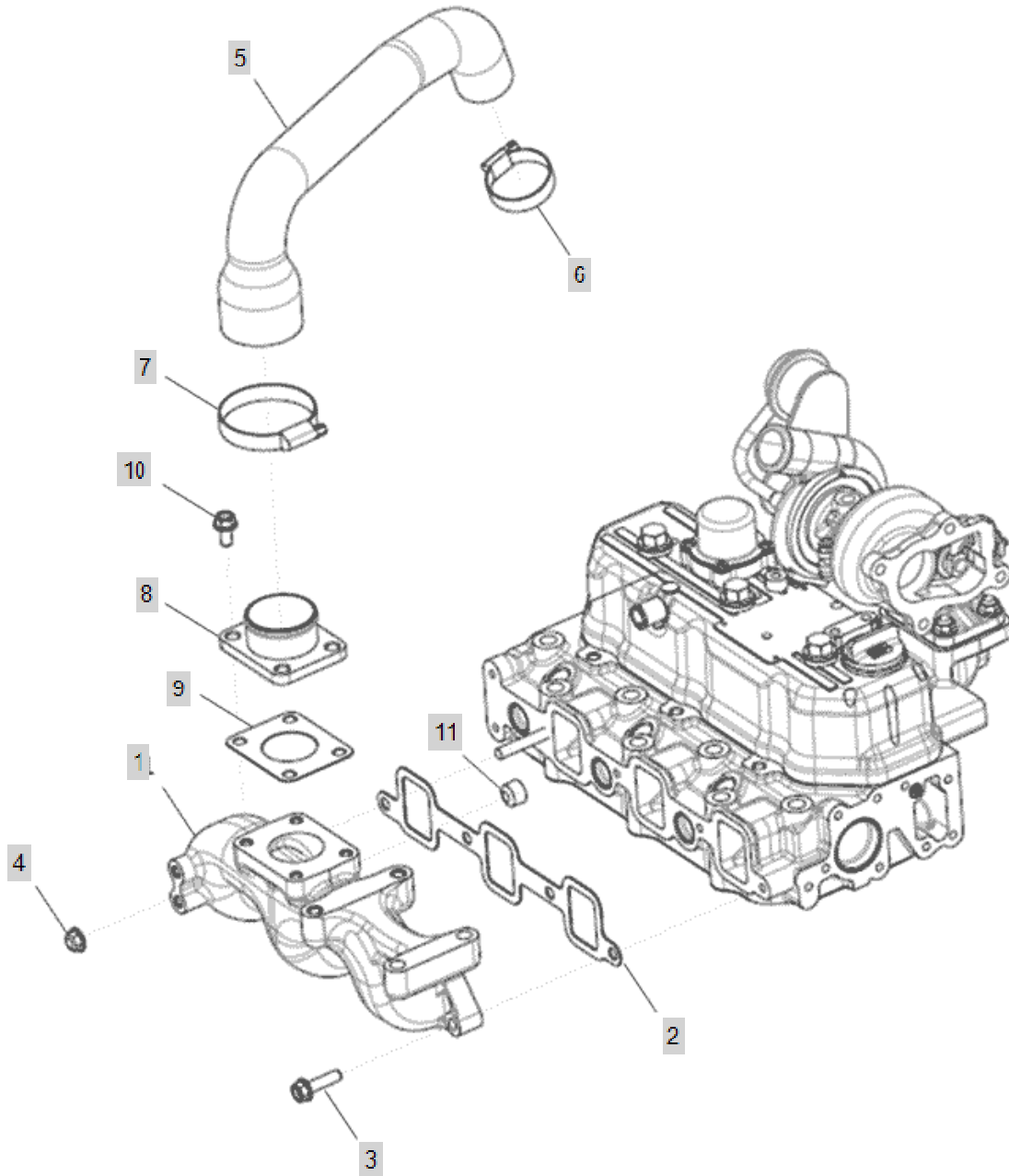


FIG A006

EXHAUST MANIFOLD

Year/Month

A1700T2-ETC

2020/02

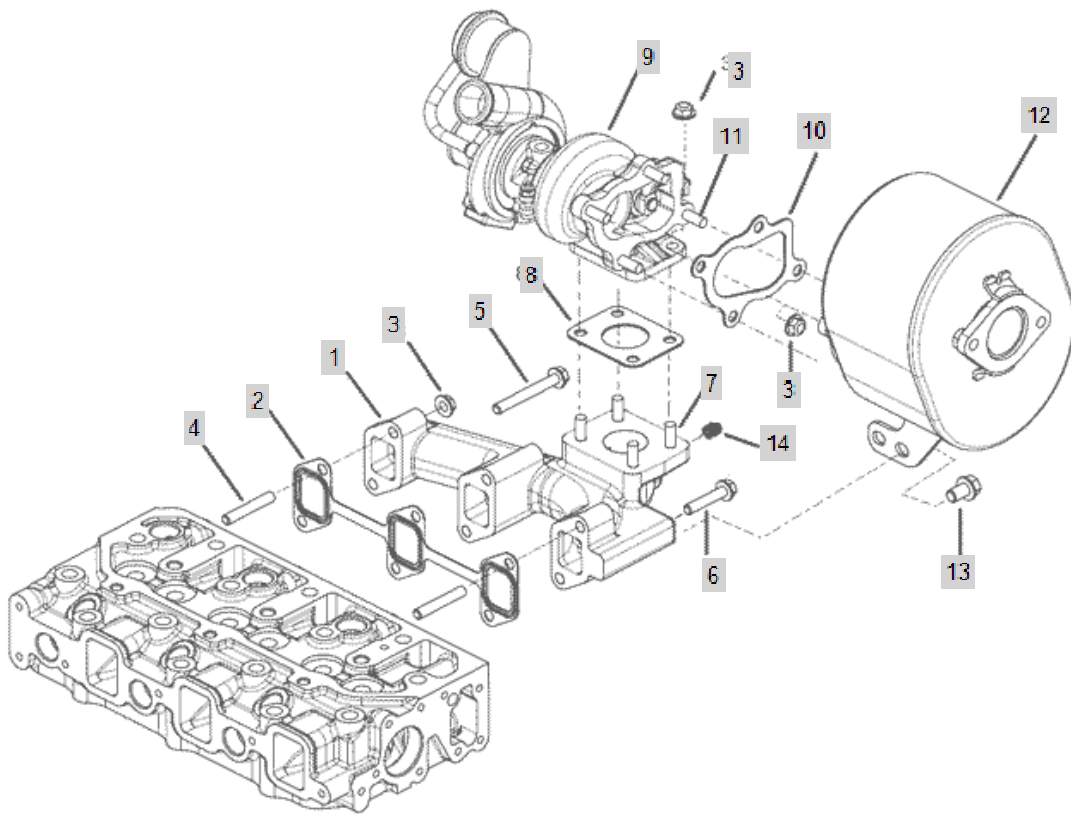


FIG A007

CAM SHAFT & DRIVING GEAR

Year/Month

2020/02

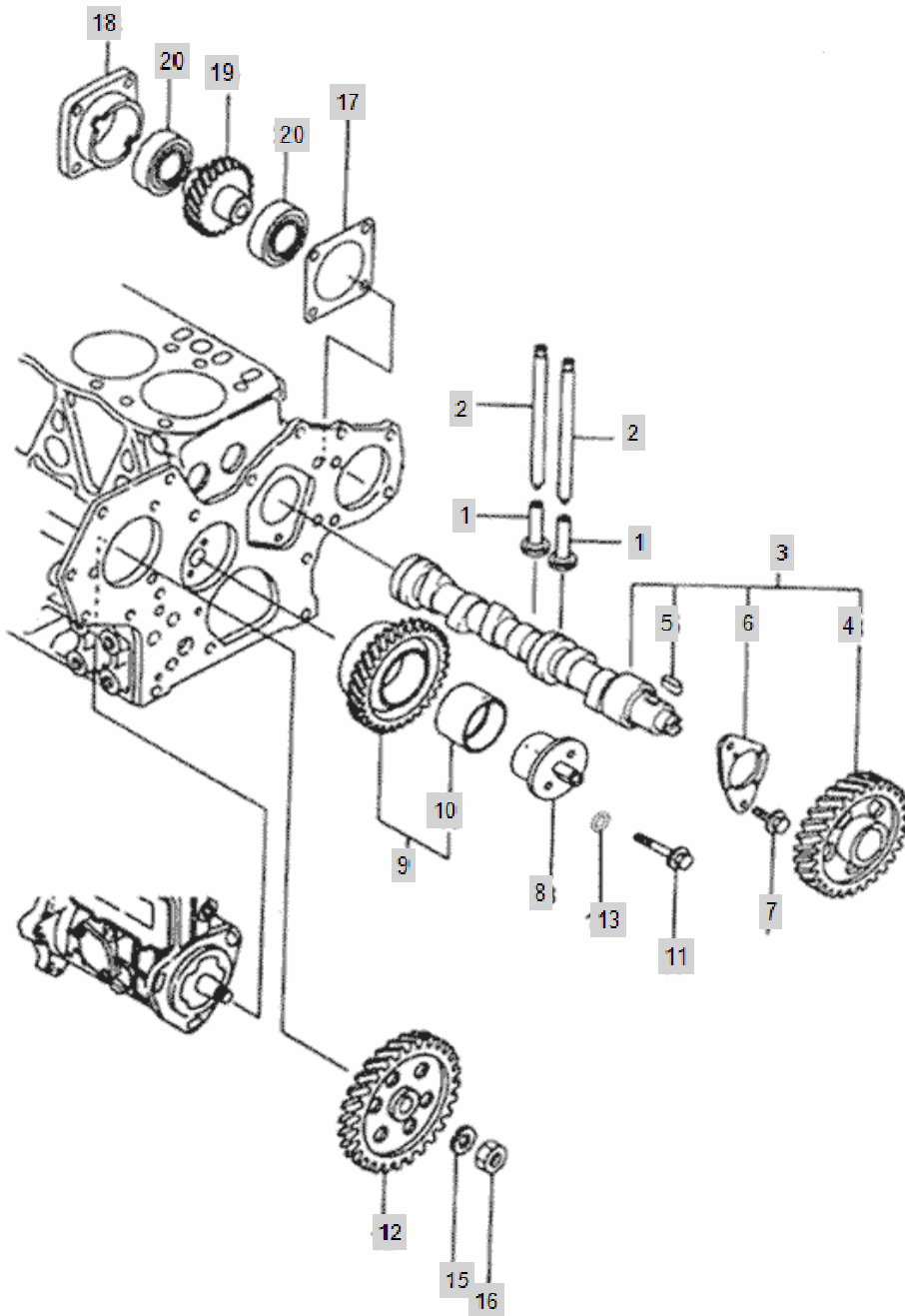


FIG A008

CRANK SHAFT & PISTON

Year/Month

A1700T2-ETC

2020/02

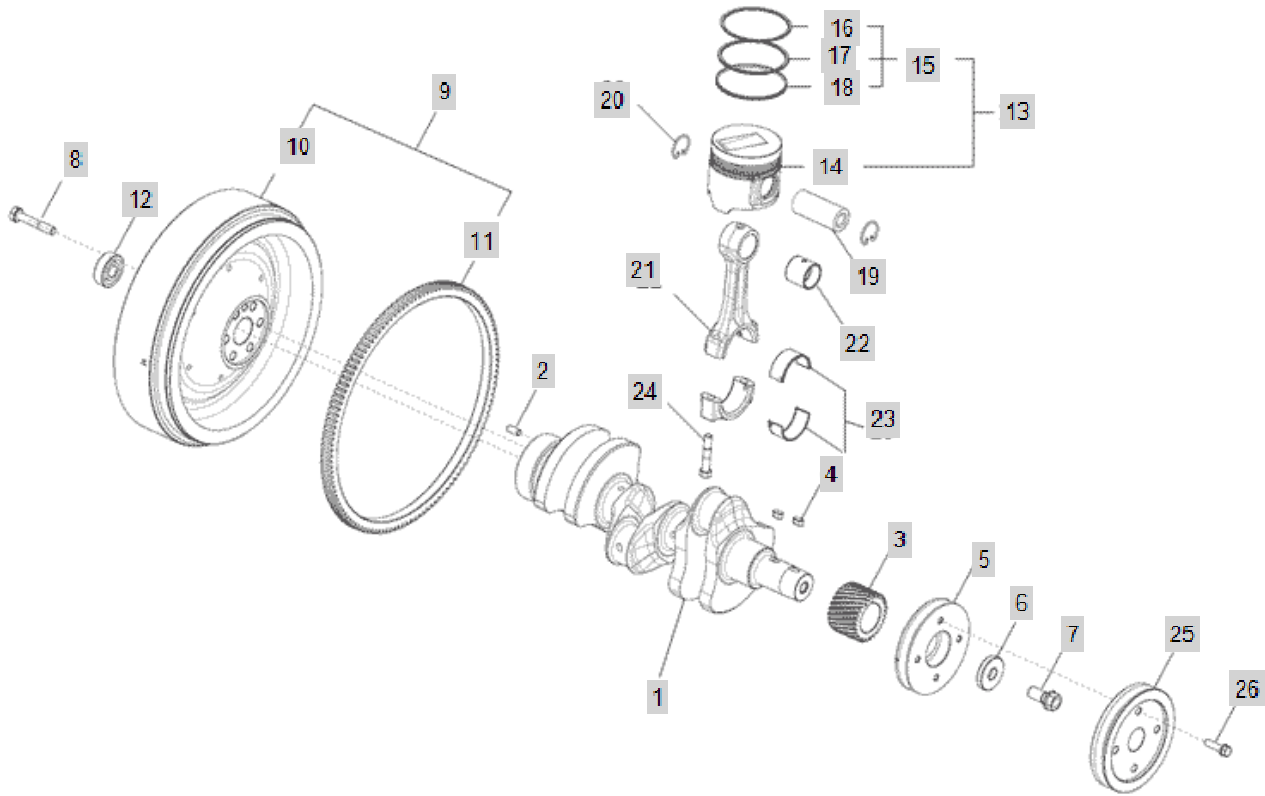


FIG A009

LUBRICATING OIL SYSTEM

Year/Month

A1700T2-ETC

2020/02

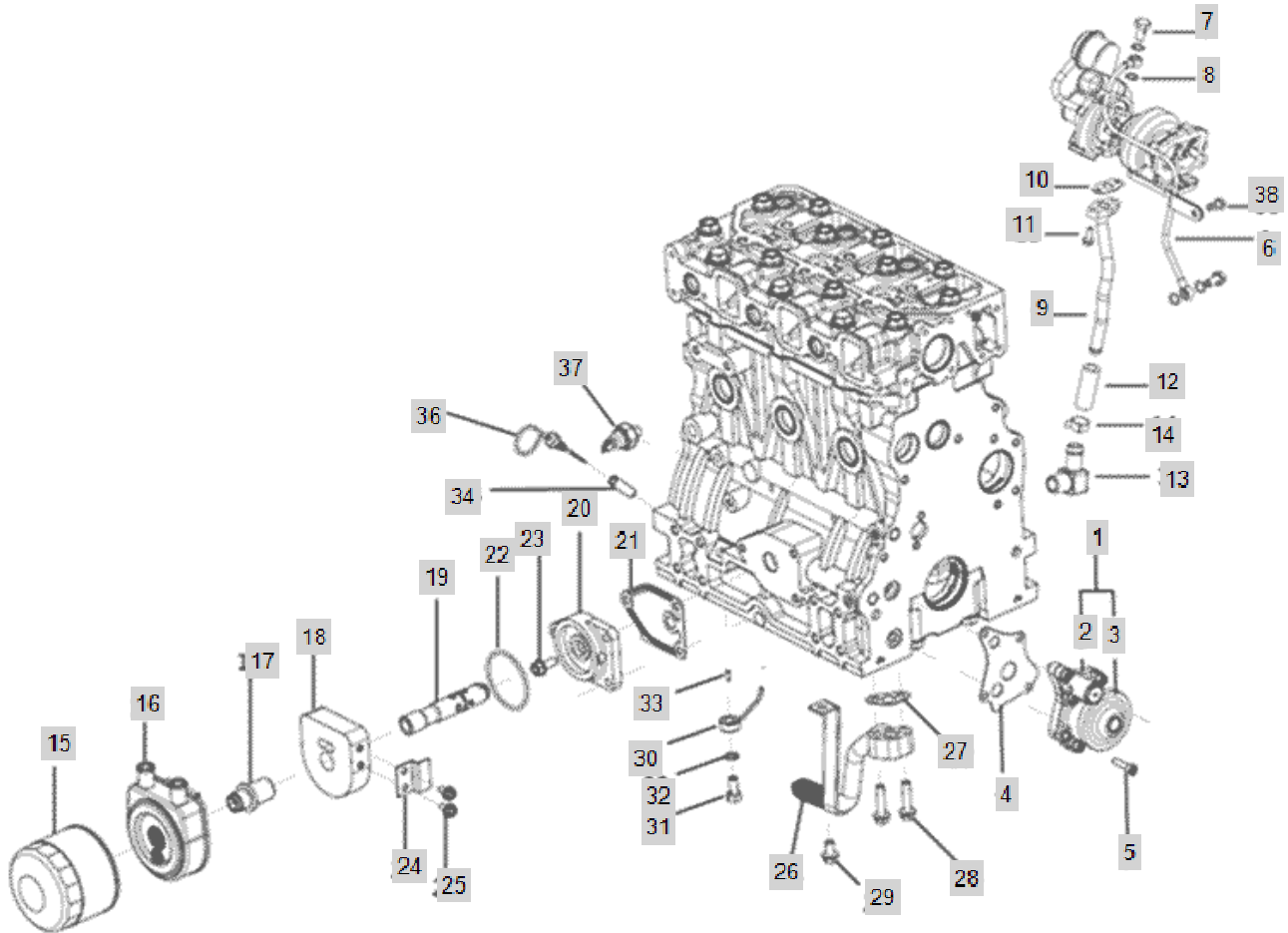


FIG A010-1

COOLING SYSTEM

Year/Month

2020/02

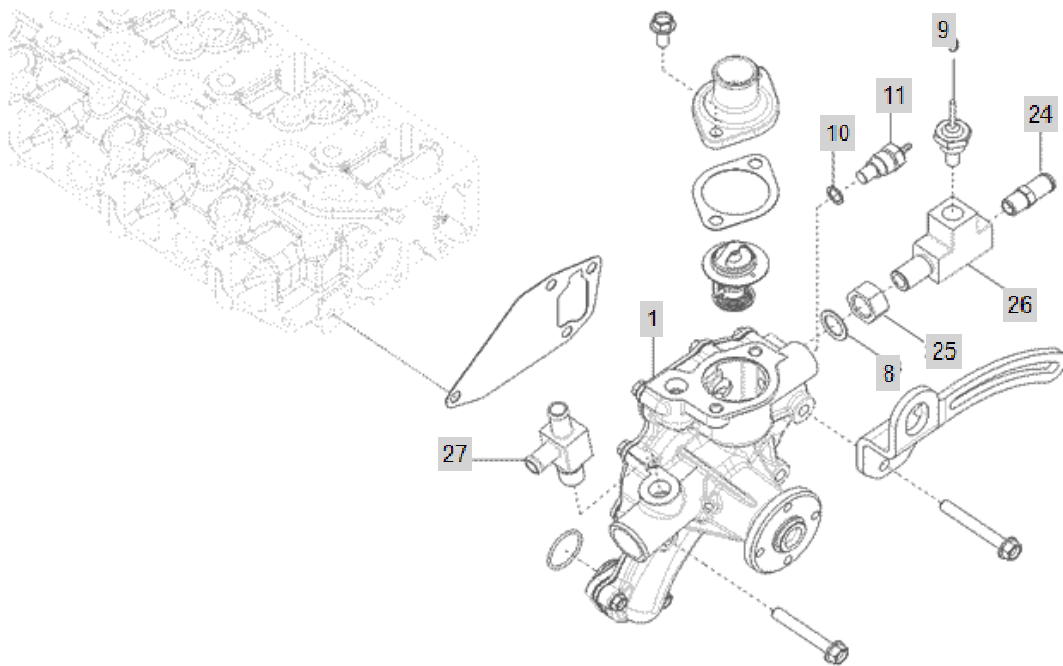
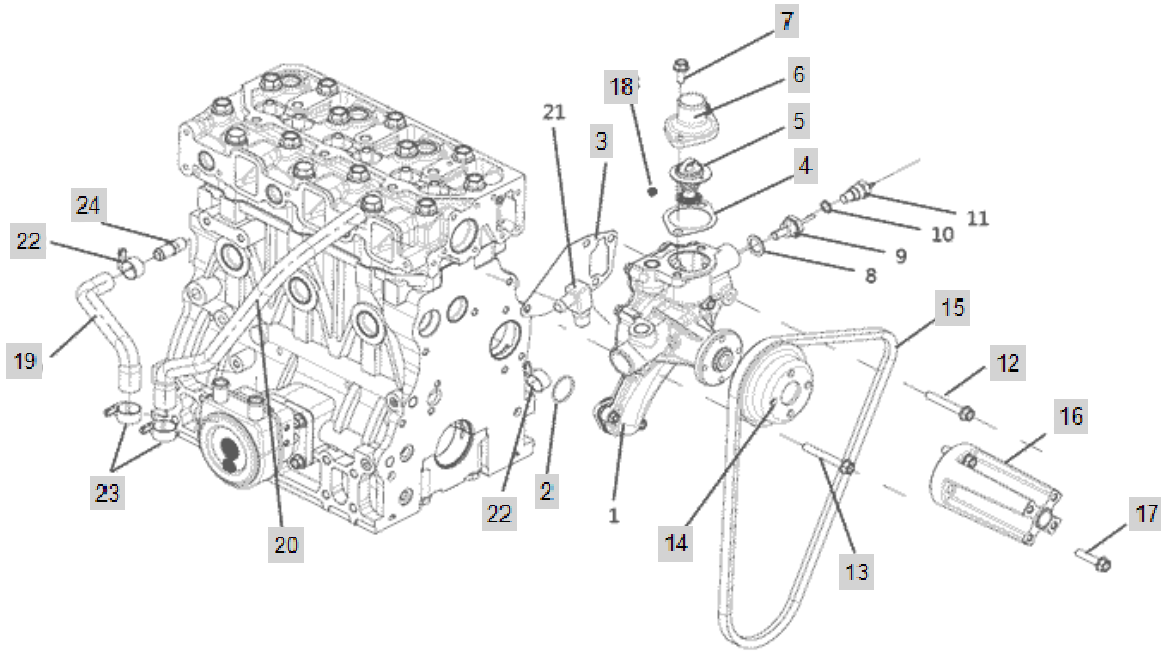


FIG A010-2

A1700T2-ETC

COOLING SYSTEM(2018.05~)

Year/Month

2020/02

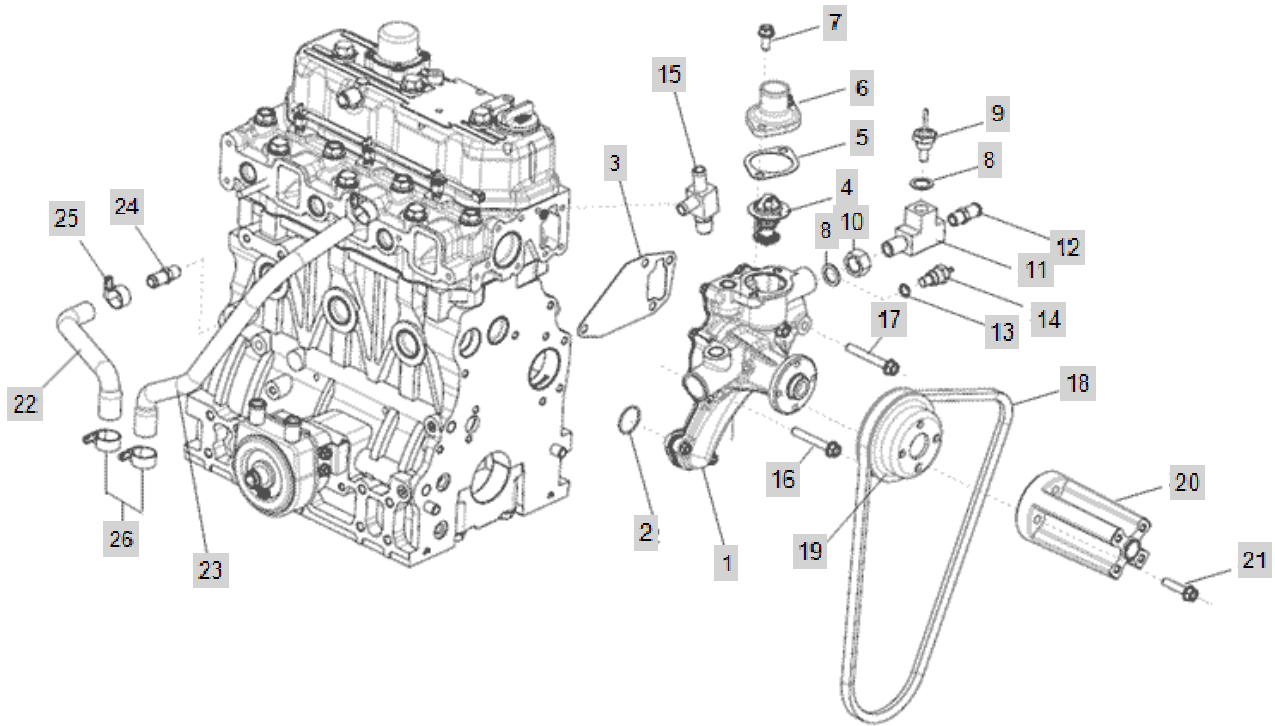


FIG A011

FUEL INJECTION PUMP

Year/Month

2020/02

A1700T2-ETC

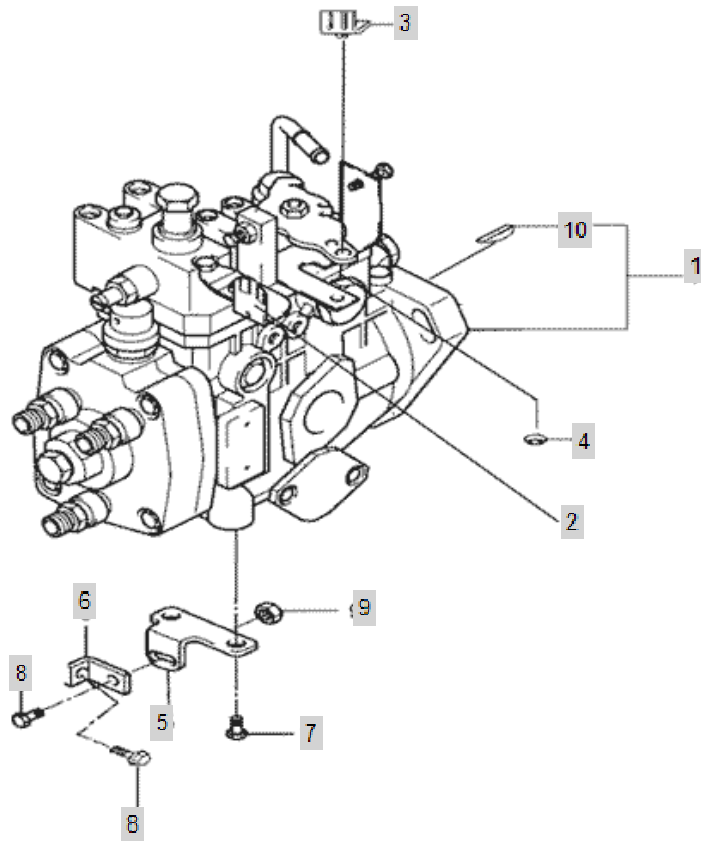


FIG A012A

FUEL INJECTION SYSTEM(A1700T2-ETC)

Year/Month

2020/02

A1700T2-ETC

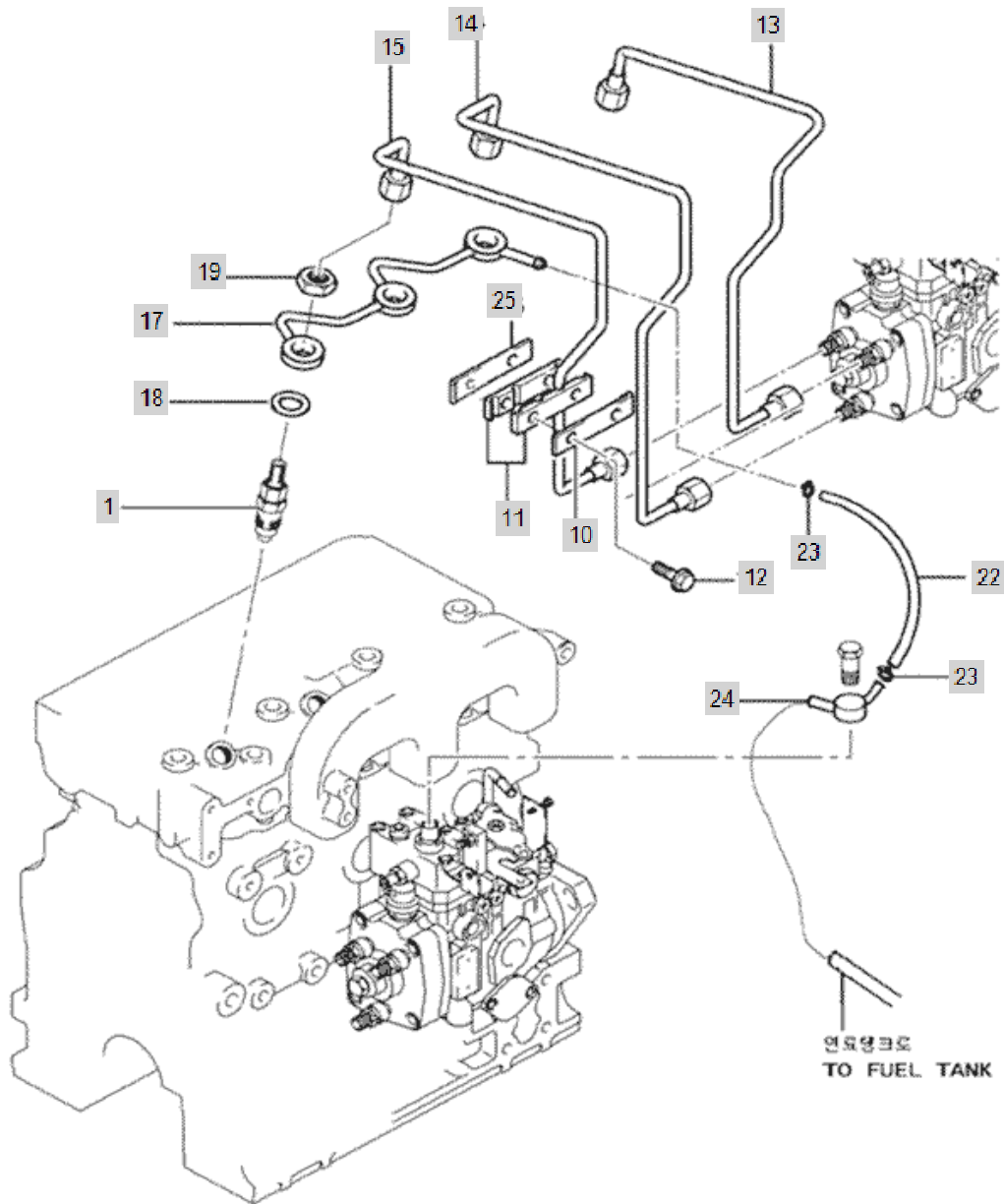


FIG A013-1

A1700T2-ETC

FUEL SYSTEM

Year/Month

2020/02

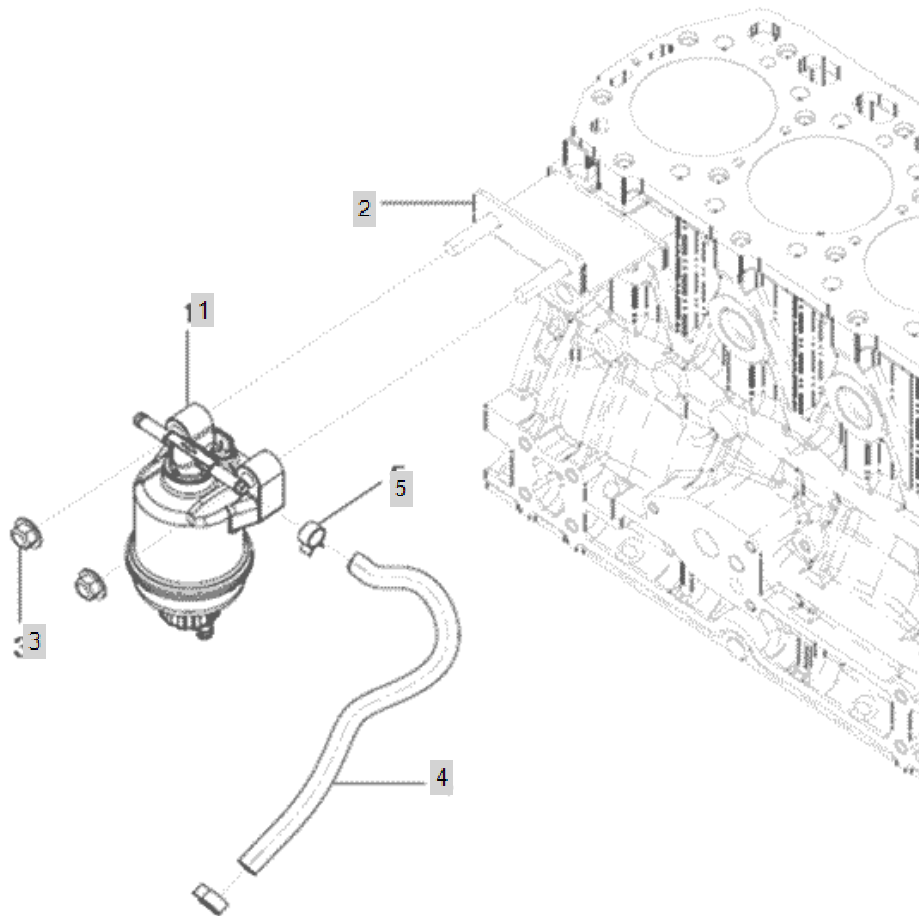


FIG A013-2

FUEL SYSTEM(2018.05~)

Year/Month

A1700T2-ETC

2020/02

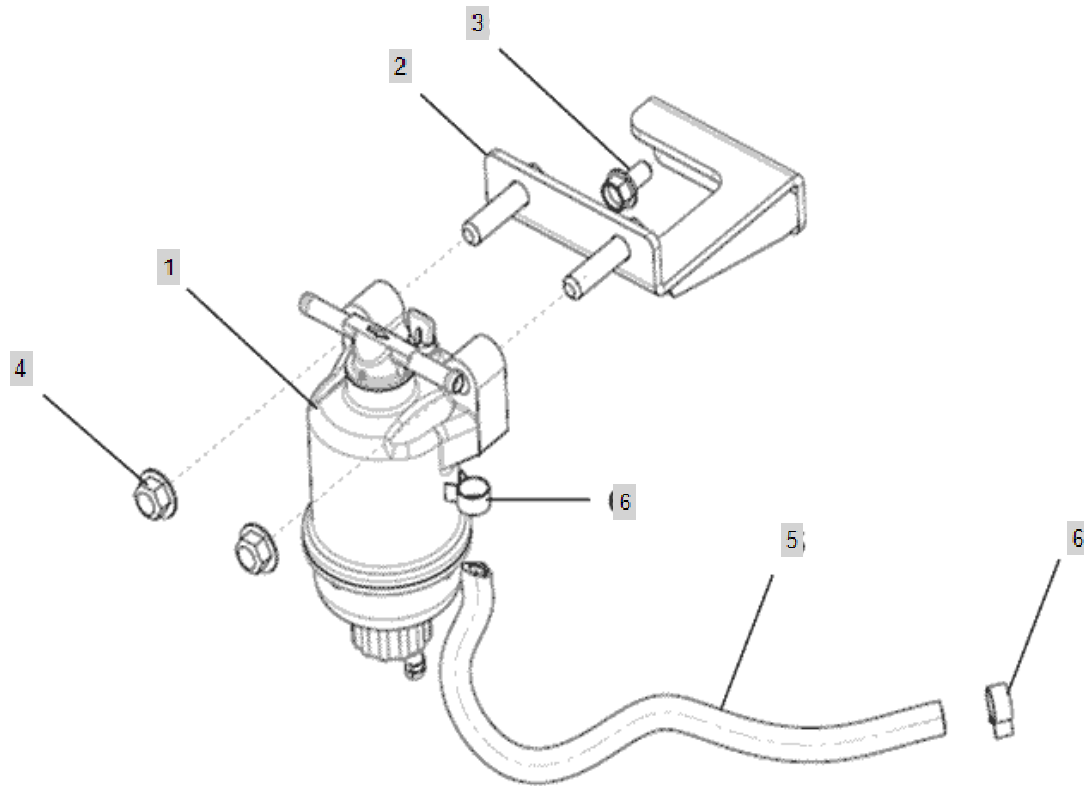


FIG A014

STARTING MOTOR

Year/Month

A1700T2-ETC

2020/02

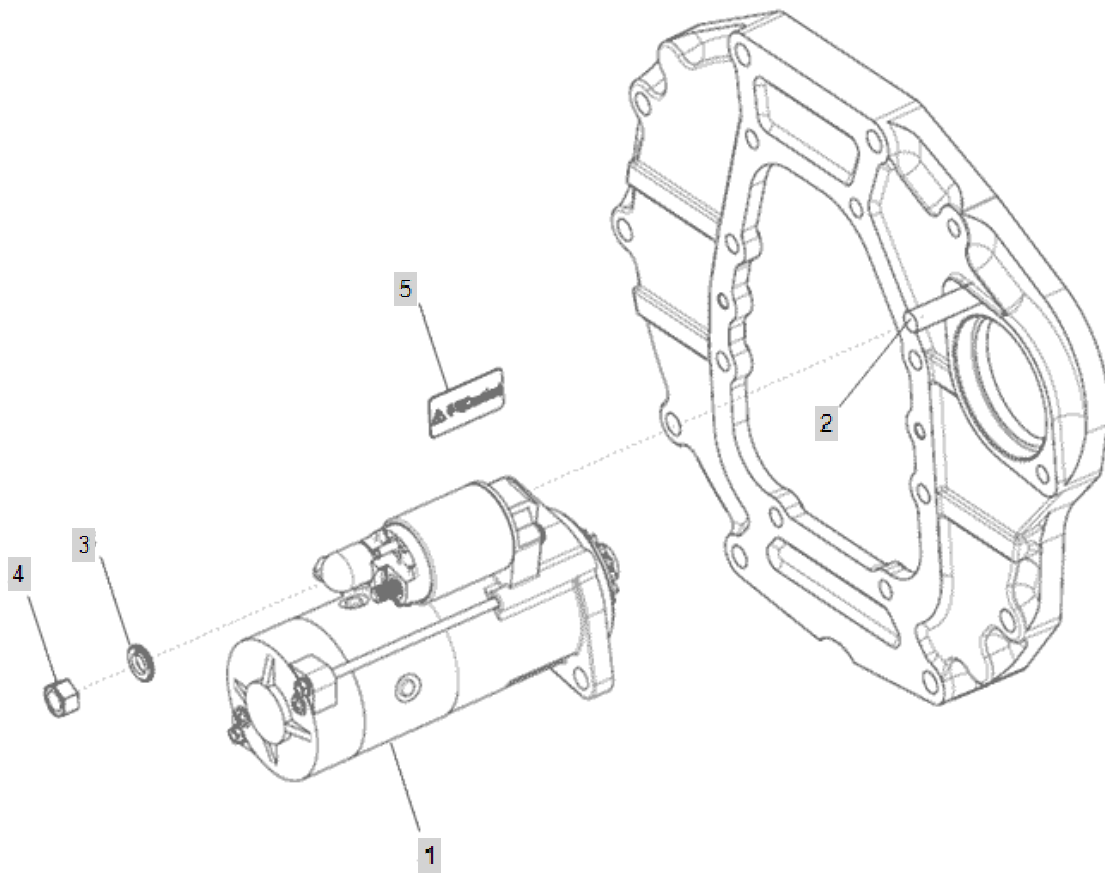


FIG A015

GENERATOR & ELECTRIC DEVICE

Year/Month

2020/02

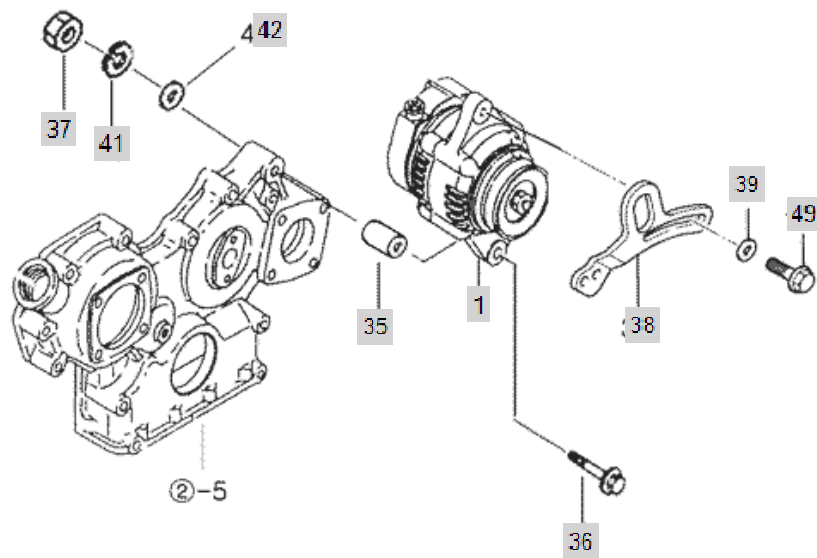
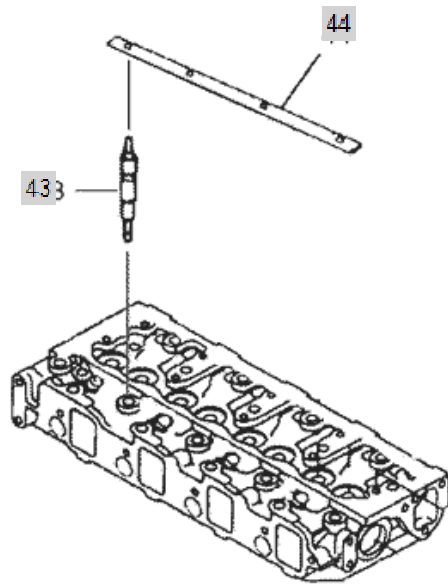


FIG A016

COMPRESSOR SUPPORT

Year/Month

A1700T2-ETC

2020/02

