

KUKJE BL15 Branson Loader

Parts Catalogue

FIG C001

BOOM ASSEMBLY(P/N: C1850K)

Year/Month

BL15

2020/02

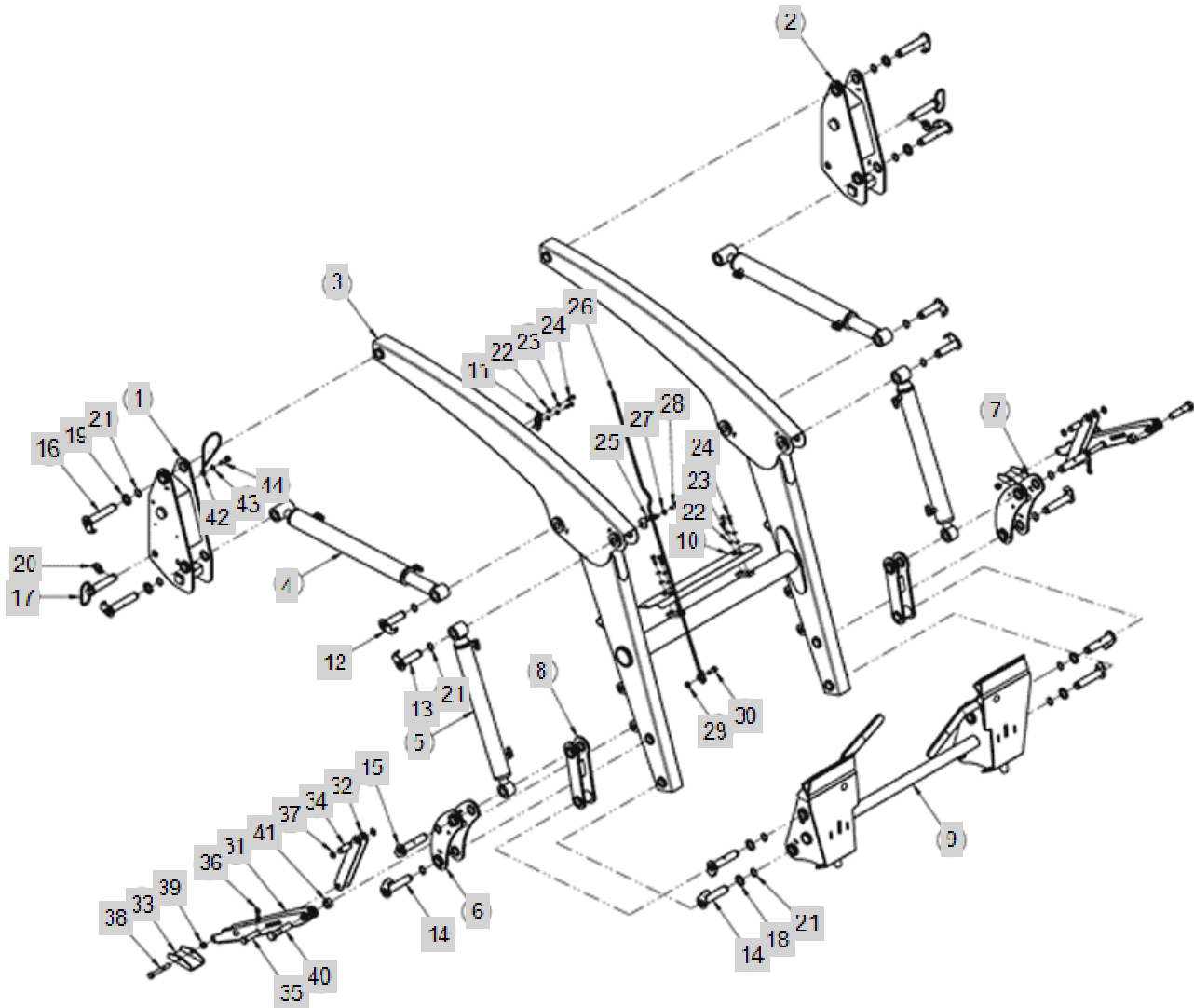


FIG C001		BOOM ASSEMBLY(P/N: C1850K)			Year/Month
BL15					2020/02
KeyNo.	Part Number	Part Name	Quantity	Other	
1	C1850J3100		1		
2	C1850F-3200		1		
3	C1850K-0000		1		
4	C1850K-8000	BOOM CYLINDER for BL15	2		
5	C1850K-9000	BUCKET CYLINDER for BL15	2		
6	C1850J-6000		1		
7	C1850J-7000		1		
8	C1850K-4100		2		
9	B0850B-0000	COUPLER B/C	1		
10	C1850J-7010		1		
11	ALN47-07-3100	COVER	1		
12	P25E-0880		3		
13	P25E-088A	PIN	1		
14	P25E-1130	PIN	7		
15	P25E-113A	PIN	1		
16	P25E-1280		4		
17	P25C-1030	PIN-LEVER	2		
18	P25G-0010		4		
19	P25G-0020		4		
20	AL20-98-9990	LINK PIN	2		
21	SN25M	SNAP RING	16		
22	WP08M	PLAIN WASHER	6		
23	WS08M	SPRING WASHER	6		
24	BH0855125Z	BOLT	6		
25	C1850J-4710		1		
26	C1850J-4500	INDICATOR ASSY	1		
27	WS10M	SPRING WASHER	2		
28	BH1055150Z	BOLT	1		
29	NH10150Z	NUT	2		
30	BH1066150Z	BOLT	1		
31	3045A-8100	STAND	2		
32	3045A-8200	BRACKET	2		
33	4060A-8400	BRACKET	2		
34	4060A-8520	PIN	2		
35	4060A-8530	PIN	2		
36	PR30045	R-PIN (PR03025)	2		
37	SN20M	SNAP RING	4		
38	BH1216175Z		2		
39	NL12175Z	LOCK NUT	2		
40	BH20H5250X	BOLT (10.9T)	2		
41	NL20250Z	LOCK NUT	2		
42	C2050-9500	HOLDER	1		
43	WP10M	PLAIN WASHER	1		
44	BH1075150Z	BOLT	1		
45	C1850K		1		

FIG C002

COUPLER ASSEMBLY(P/N: B0850B-0000)

Year/Month

BL15

2020/02

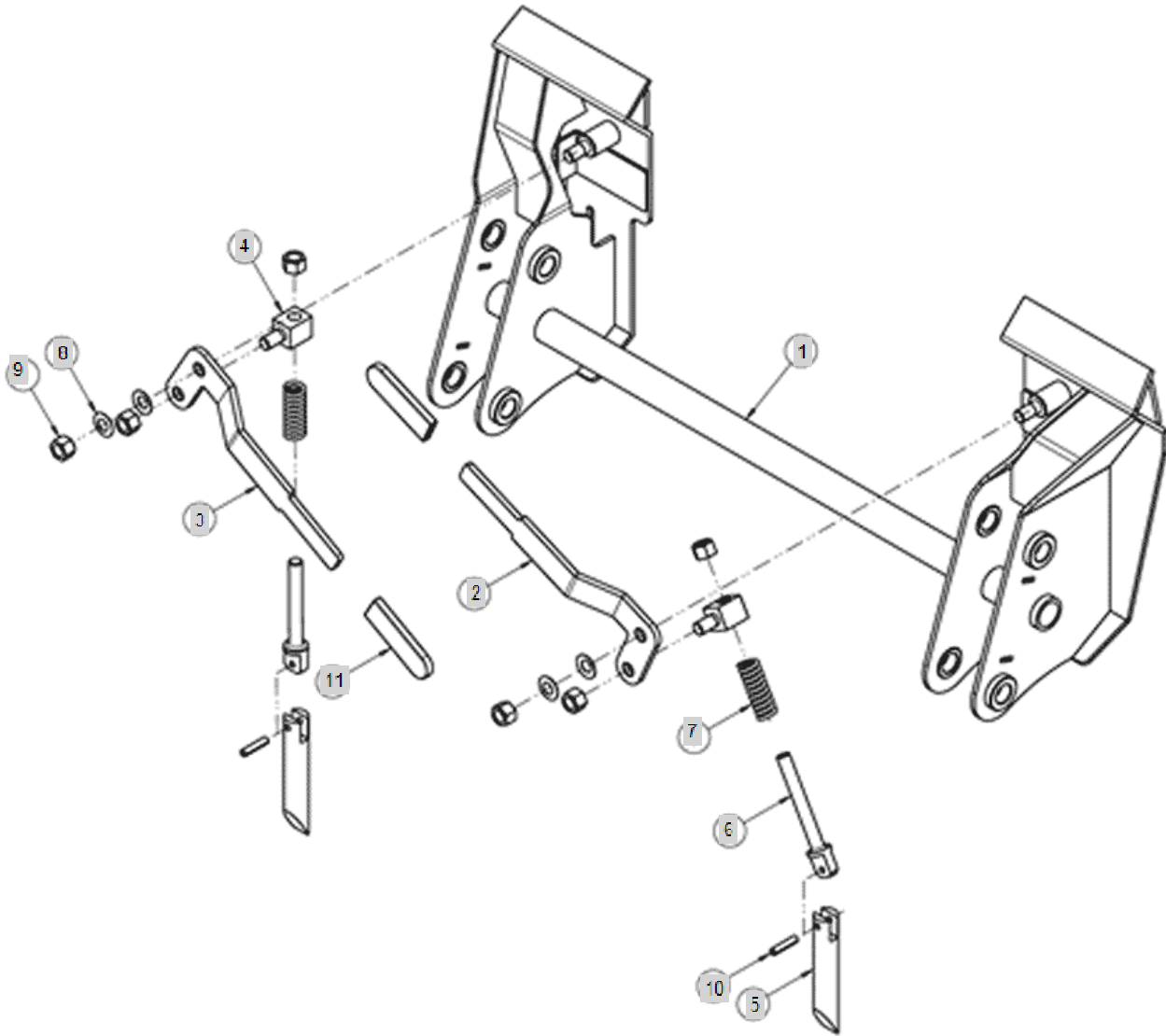


FIG C003

BUCKET(P/N: AKU30-A2-000K)

Year/Month

BL15

2020/02

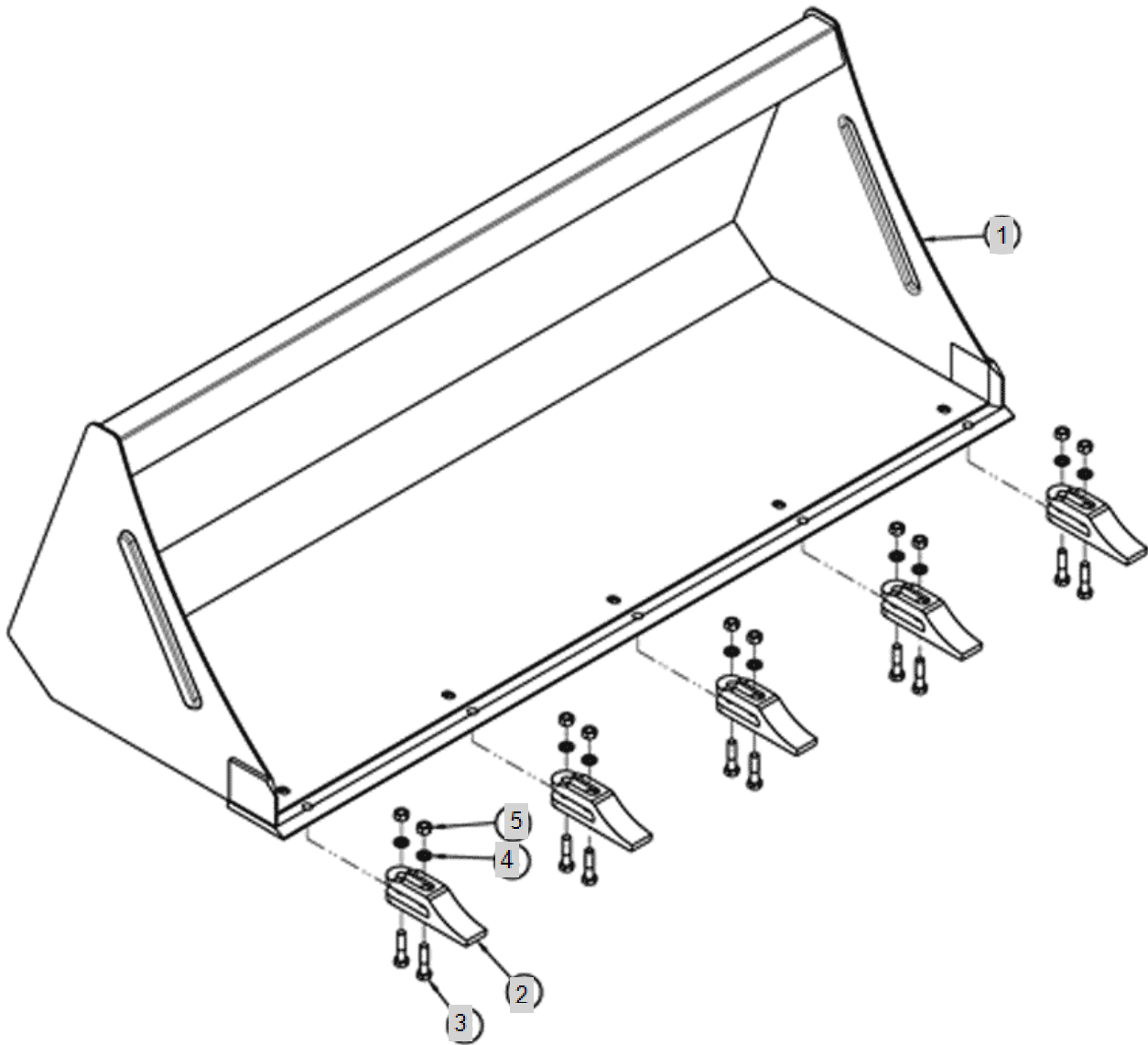


FIG C004

MOUNTING KIT(P/N:K03G)

Year/Month

BL15

2020/02

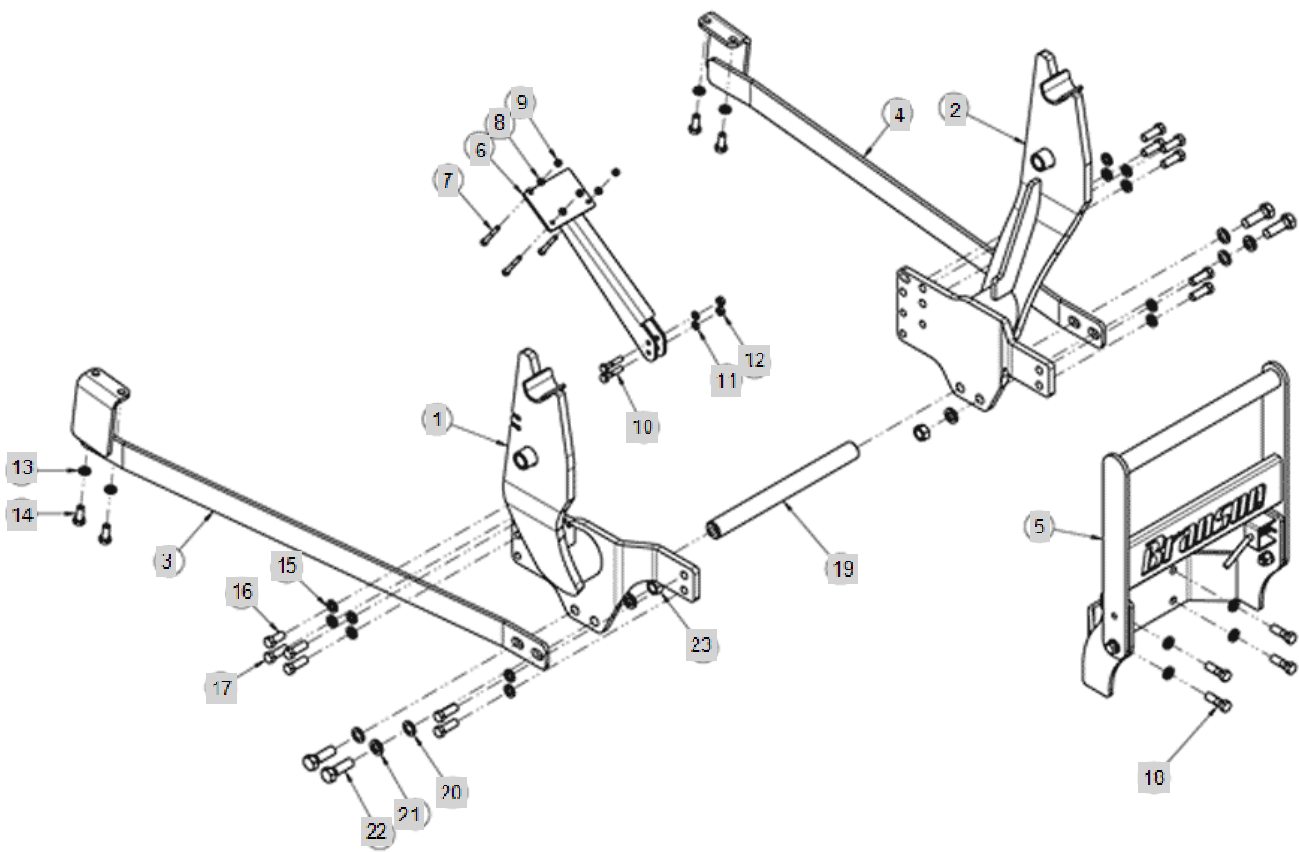


FIG C005

BUMPER ASSEMBLY(P/N:K03G-4000)

Year/Month

BL15

2020/02

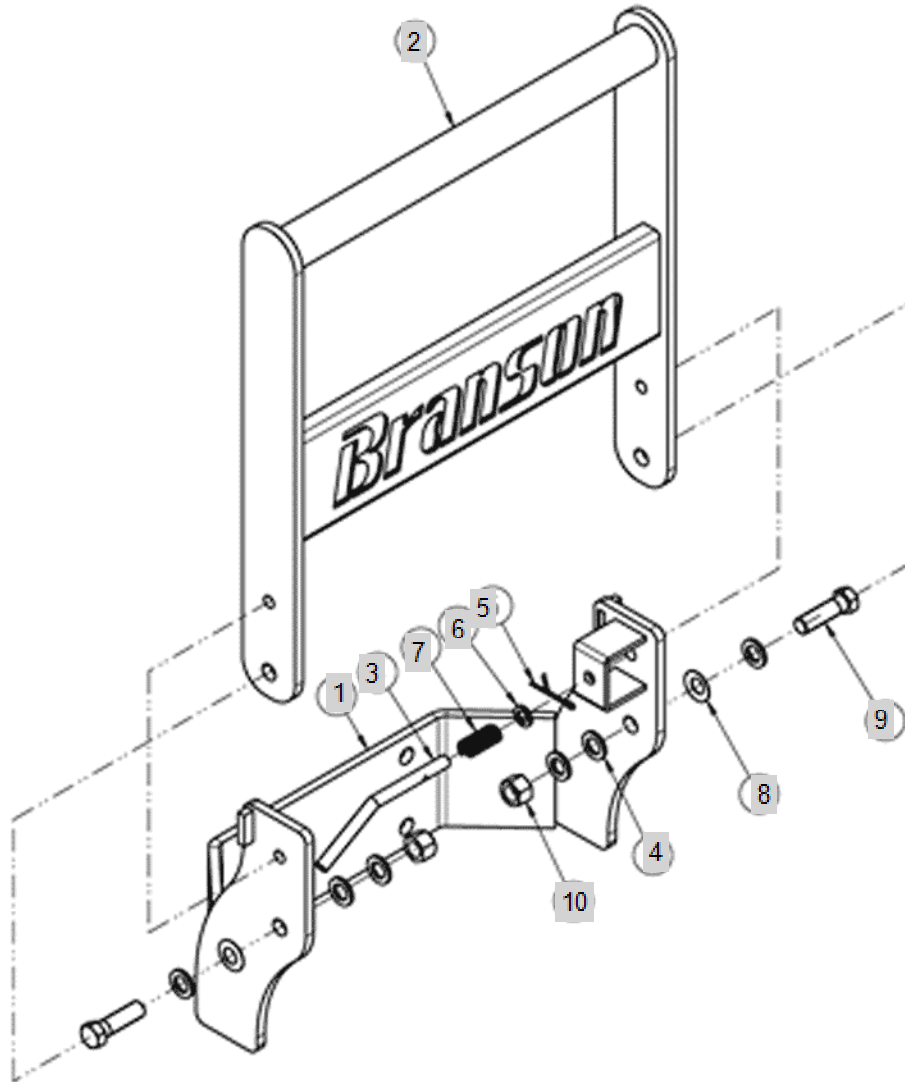


FIG C006-1

Cylinder Assembly BUCKET LH(C1850K-9000)

Year/Month

BL15

2020/02

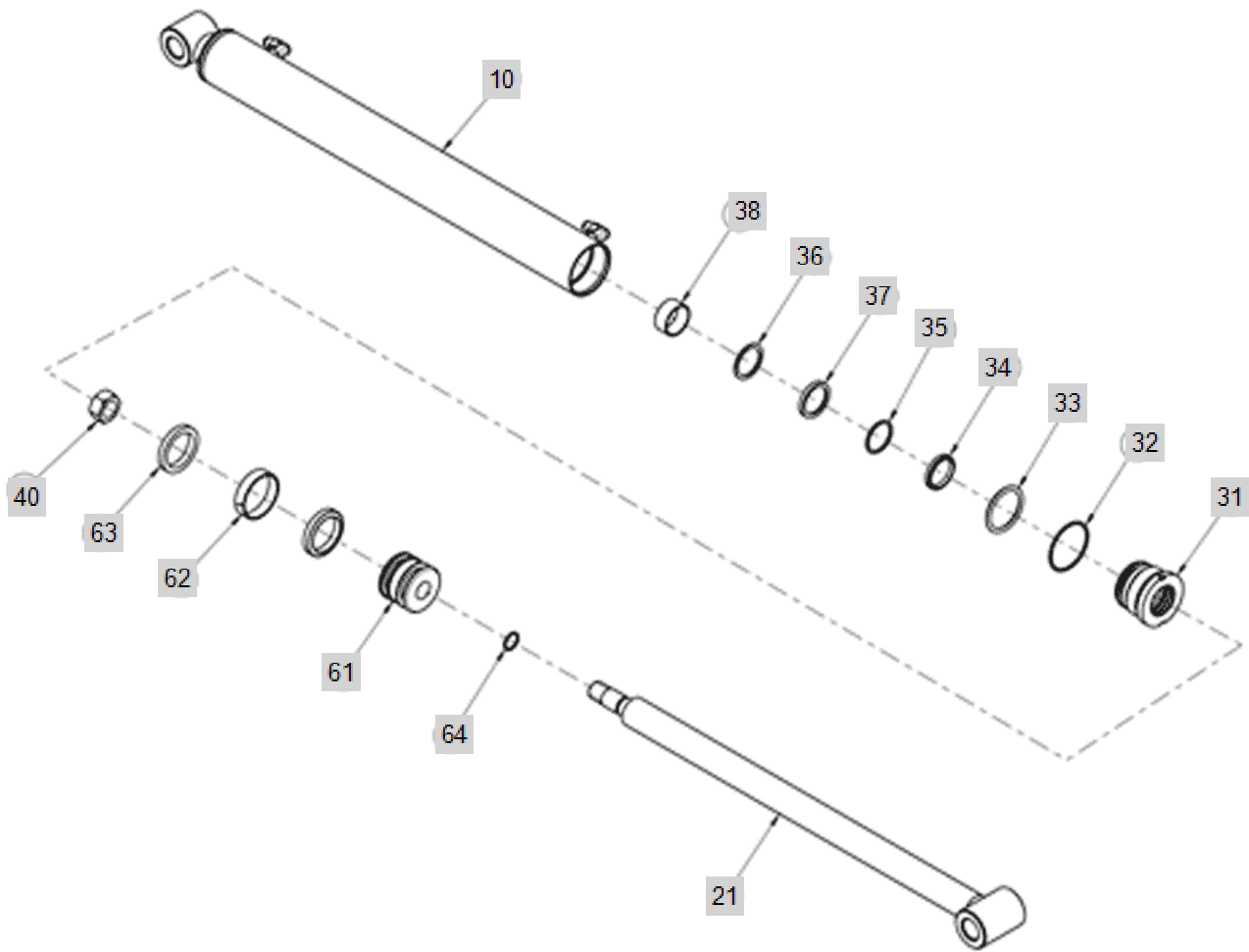


FIG C006-2

Cylinder Assembly BOOM(C1850K-8000)

Year/Month

BL15

2020/02

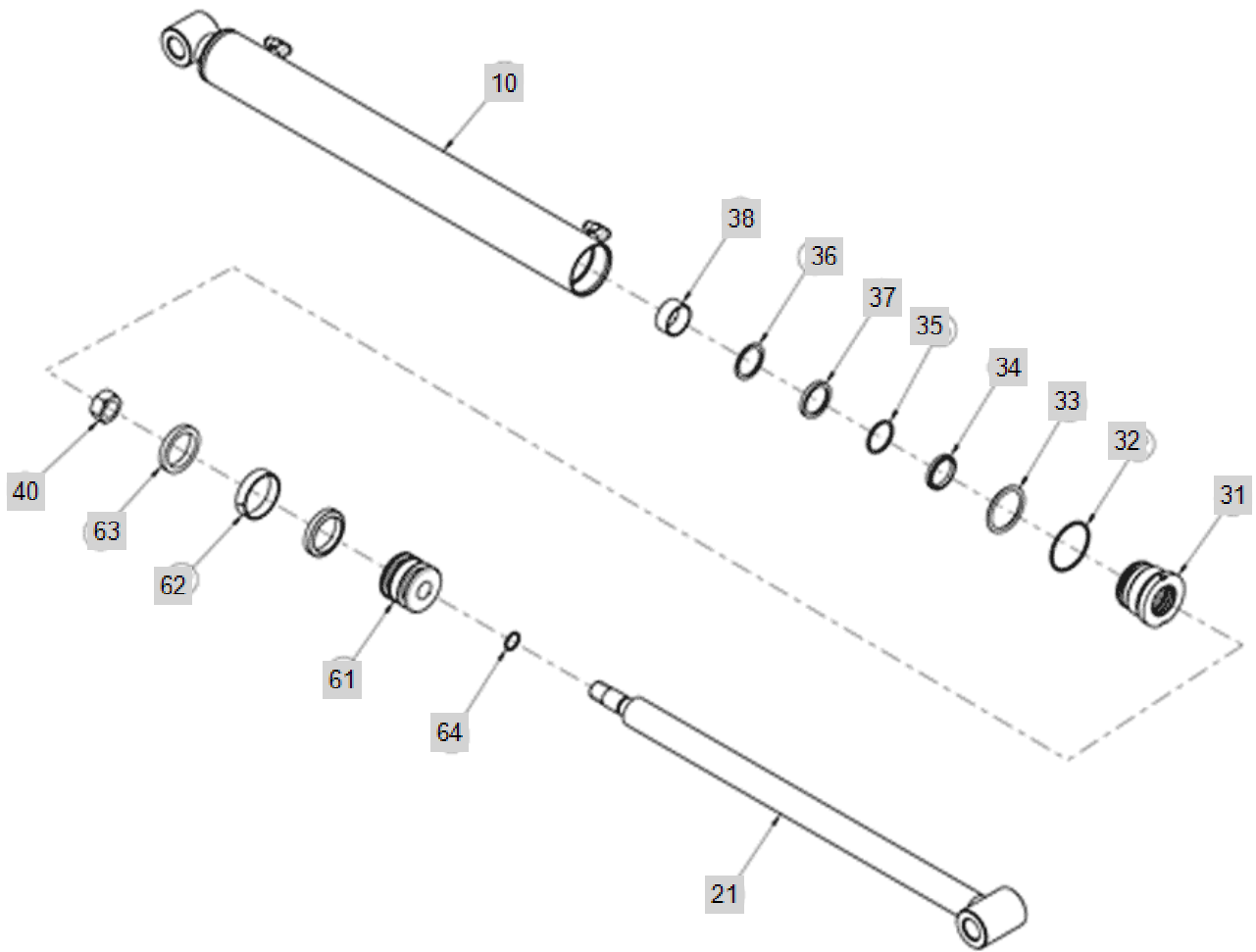


FIG C007

Hydraulic Parts

Year/Month

BL15

2020/02

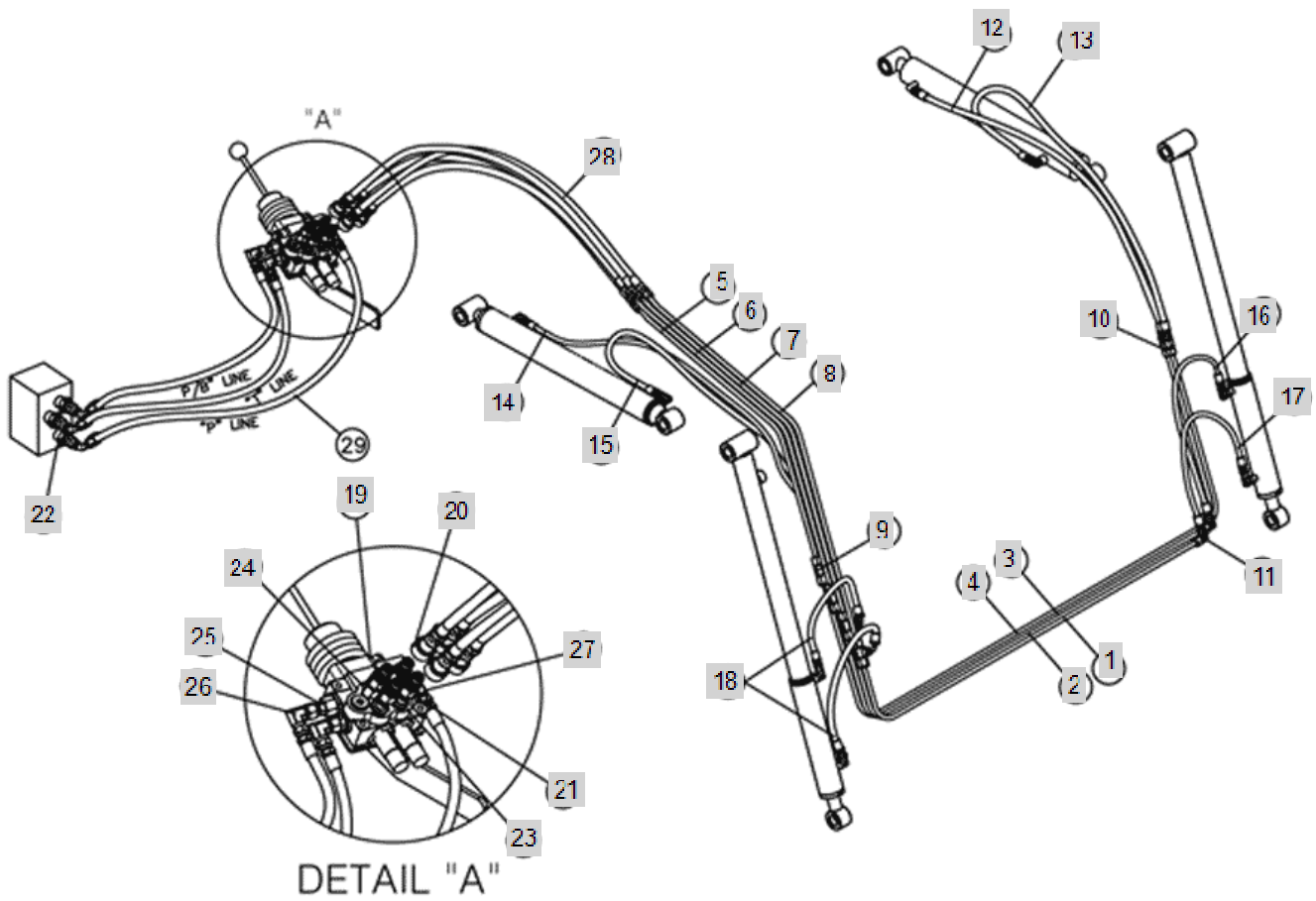


FIG C008

Decal & Manual

Year/Month

BL15

2020/02

