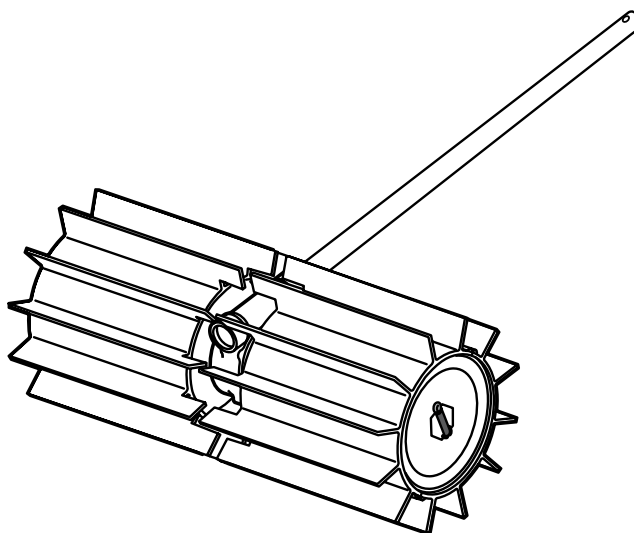


SHINDAIWA OWNER'S/OPERATOR'S MANUAL

**MULTIPURPOSE
POWERBROOM TOOL**

PowerBroom™

Model 80264



WARNING!

Minimize the risk of injury to yourself and others! Read the Owner's/Operator's manual originally supplied with the unit that is being upgraded and familiarize yourself with the contents. Always wear eye and hearing protection when operating your unit.

Introduction

The Shindaiwa Multipurpose PowerBroom™ Tool has been designed and built to deliver superior performance and reliability without compromise to quality, comfort, safety or durability. As an owner/operator, you'll soon discover for yourself why Shindaiwa is simply in a class by itself!


IMPORTANT!

The information contained in these instructions describes machines available at the time of publication.

Echo, Inc. reserves the right to make changes to products without prior notice, and without obligation to make alterations to machines previously manufactured.

Attention Statements

Throughout this manual are special “attention statements”.



WARNING!

A statement preceded by the triangular attention symbol and the word “WARNING” contains information that should be acted upon to prevent serious bodily injury.

CAUTION!

A statement preceded by the word “CAUTION” contains information that should be acted upon to prevent mechanical damage.

IMPORTANT!

A statement preceded by the word “IMPORTANT” is one that possesses special significance.

NOTE:

A statement preceded by the word “NOTE” contains information that is handy to know and may make your job easier.

IMPORTANT!

The operational procedures described in this manual are intended to help you get the most from your machine as well as to protect you and others from harm. These procedures are guidelines for safe operation under most conditions, and are not intended to replace any safety rules and/or laws that may be in force in your area. If you have questions regarding your power tool, or if you do not understand something in this manual, your Shindaiwa dealer will be glad to assist you. You may also contact Shindaiwa at the address printed on the back of this manual.

Contents

	PAGE		PAGE
Attention Statements	2	Assembly	5
Safety Labels	3	Checking Unit Condition	7
Operating Precautions	3	Operation	8
General Safety Instructions.....	4	Maintenance	10
Product Description	5	Troubleshooting Guide	11
Specifications.....	5	Warranty Statement	12

Warning and operational labels



Read and follow this manual, make sure anyone using the pruner does likewise. Failure to do so could result in serious personal injury or machine failure. Keep this manual for future reference.



Always wear a hard hat to reduce the risk of head injuries during operation of this machine. In addition, always wear eye and hearing protection. Shindaiwa recommends wearing a face shield as additional face and eye protection.



Do not operate this tool if you are tired, ill or under the influence of alcohol, drugs, or medication.



Beware of thrown objects. Keep bystanders at least 15 M (50 feet) away during operation.

Safety Labels

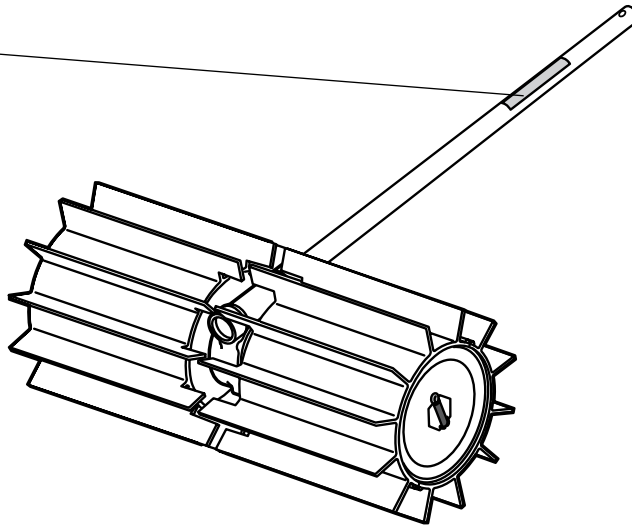


Figure 1

IMPORTANT!

Safety and Operation Information Labels: Make sure all information labels are undamaged and readable. Immediately replace damaged or missing information labels. New labels are available from your local authorized Shindaiwa dealer.

Operating Precautions



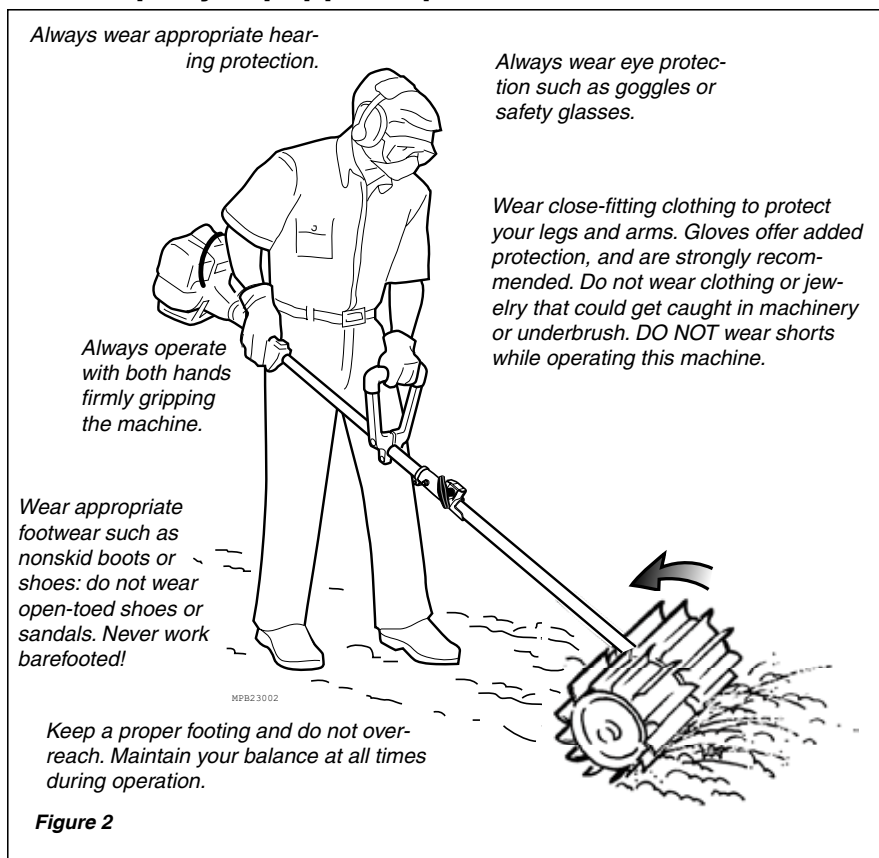
WARNING!

- This Shindaiwa PowerBroom tool is specifically designed for use on the Shindaiwa Multipurpose Tool Carrier. Installation and/or use on any other model, brand or type of power tool is not approved by Shindaiwa. Attempts to use on non-approved models can damage the equipment and cause accidents, serious injury or death.
- Always make sure the Multipurpose PowerBroom Tool is properly installed and firmly tightened before operation.
- Make sure there are no missing or loose fasteners, and that the stop switch and throttle controls are working properly.
- Make sure there is always good ventilation when operating this machine. Fumes from engine exhaust can cause serious injury or death. **Never run the engine indoors!**
- Sweeper belts may move when starting engine. Place sweeper belts on a smooth level surface when starting.
- Always stop the engine immediately and check for damage if you strike a foreign object or if the machine becomes tangled. Do not operate with broken or damaged equipment.
- Stop the machine immediately if it suddenly begins to vibrate or shake. Inspect for broken, missing or improperly installed parts or attachments.
- Never transport the machine or set it down with the engine running. An engine that's running could be accidentally accelerated causing the drum assemblies to rotate.

CAUTION!

Always keep the unit as clean as practical. Keep it free of loose vegetation, mud, etc.

The Properly Equipped Operator



Work Safely: Be Aware of the Working Environment

- Be careful when operating on a slope or on slippery terrain, especially during rainy weather.
- If the drum assemblies jam, switch the engine OFF and inspect the drums, axles and gear case for damage.
- Never operate the PowerBroom around objects that could tangle in the drums and cause loss of control.
- Maintain a low working angle and avoid steep angles of operation. A steep working angle risks loss of control of the machine.
- Transport the machine with the engine OFF.

General Safety Instructions



WARNING!

Never operate power equipment of any kind if you are tired or if you are under the influence of alcohol, drugs, or any other substance that could affect your ability or judgement.



WARNING! Minimize the Risk of Fire

Never smoke or light fires near the unit.

Always stop the engine and allow it to cool before refueling. Avoid overfilling and wipe off any fuel that may have spilled.

Always move the unit to a place well away from a fuel storage area or other readily flammable materials before starting the engine. Use caution when handling fuel. Move the power tool at least 10 feet (3 meters) from the fueling point before starting the engine.

Never place flammable material close to the engine muffler.

Never run the engine without the spark arrester screen in place. Do not operate the machine with the muffler removed.



WARNING! Use Good Judgment

Always wear eye protection to shield against thrown objects.

Always protect yourself from hazards such as thorny brush and flying debris by wearing gloves and close fitting clothing that covers arms and legs. Never wear shorts. Don't wear loose clothing or items such as jewelry that could get caught in machinery or underbrush. Secure long hair so it is above shoulder level.

Always clear your work area of trash or hidden debris that could be thrown back at you or toward a bystander.

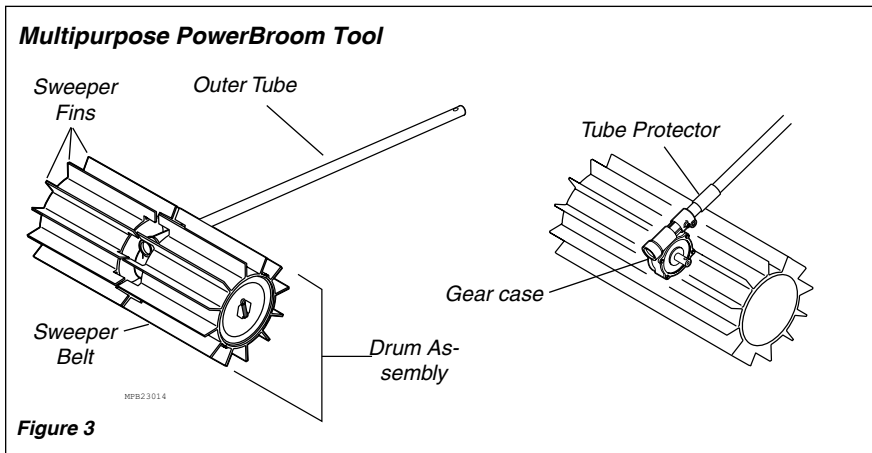
Always stop the machine immediately if it suddenly begins to vibrate or shake. Inspect for broken, missing or improperly installed parts or attachments.

Always hold the machine firmly with both hands when sweeping, and maintain control at all times.

Always keep the handles clean.

Always disconnect the spark plug wire before performing any maintenance work.

Product Description and Specifications



Using the accompanying illustration as a guide, familiarize yourself with your machine and its various components. Understanding your machine helps ensure top performance, long service life and safer operation. See Figure 3.



WARNING!

Do not make unauthorized modifications or alterations to any of these units or their components.

Assembly

Prior to Assembly

Before assembling, make sure you have all the components required for a complete unit:

- Outer Tube/Mainshaft Assembly with Gear case and Shaft Protector
- (2) Drum Assemblies (2) Axles
- Kit containing hardware.
- Operator's Manual

Carefully inspect all components for damage.

IMPORTANT!

The terms "left", "left-hand", and "LH"; "right", "right-hand", and "RH"; "front" and "rear" refer to directions as viewed by the operator during normal operation.

Multipurpose PowerBroom Tool Specifications*

Multipurpose PowerBroom Tool (w/drum assemblies).....	11.4 lbs. (5.2 kg)
Gear case Lubrication	Mobil SCH 634 synthetic gear lubricant
Gear Reduction.....	40:1

*Specifications are subject to change without notice.

Assembly:

1. Remove drum assembly (A) from drum axle (C) on clamping bolt side of gear case.
2. Loosen clamping bolt on gear case (D) and remove locating screw (E).

NOTE

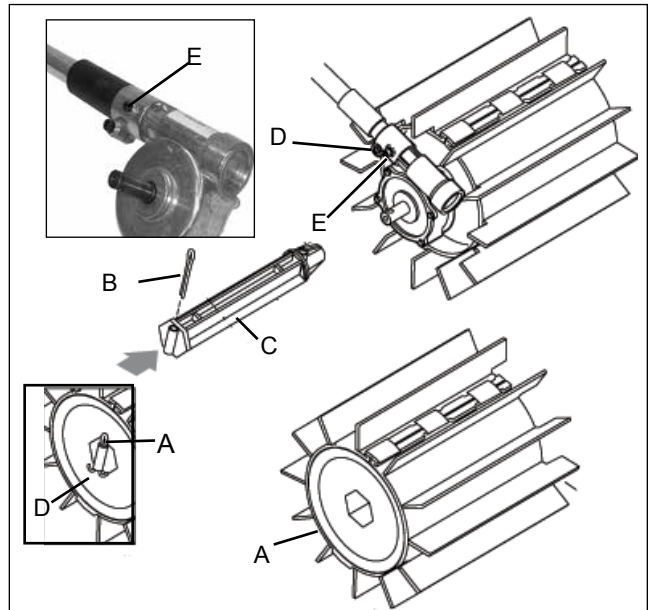
Assure that locating hole of internal collar aligns with locating hole in gear case.

3. Slide gear case onto outer tube. Align locating hole in gear case with locating hole in outer tube and install locating screw (E). Secure gear case by tightening clamping bolt (D).
4. Install drum assembly on to drum axle (C).

CAUTION!

Drum must be installed with its recessed end facing toward the gear case.

5. Use cotter pin (B) to secure the drum assembly on the axle (see inset). The cotter pin is designed to fit tightly against the outboard end of the drum, so you may need to compress the drum face slightly during installation. Spread the ends of the cotter pin to secure.



Installing a Tool Attachment

1. Place the Multipurpose Tool Carrier and the Tool Assembly on a clean, flat surface so that both assemblies fit end to end. The tool carrier assembly should be facing up, and the tool assembly should be positioned with the locking hole in the tube end facing up.

CAUTION!

Keep the open ends of the tubes clean and free of debris!

2. Slip off the protective cover from the end of the tool assembly and loosen the coupler screw knob.
3. Insert the tool assembly into the coupler, with the tool decal facing up, until the line of the decal is flush with the end of the coupler. Twist the tool back and forth until you are sure the coupler latch snaps in place. See Figure 6.

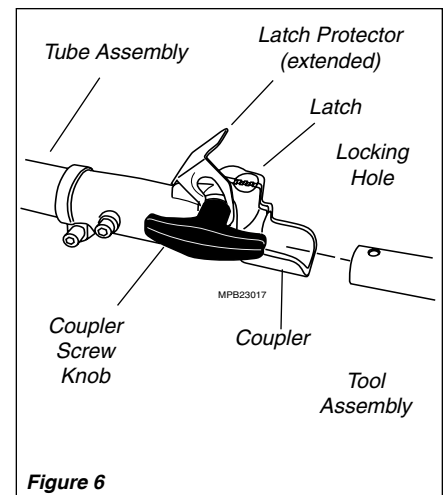


Figure 6

4. When the two tube halves are locked together, press down on the spring-loaded latch protector and tighten the coupler screw knob. See Figure 7.

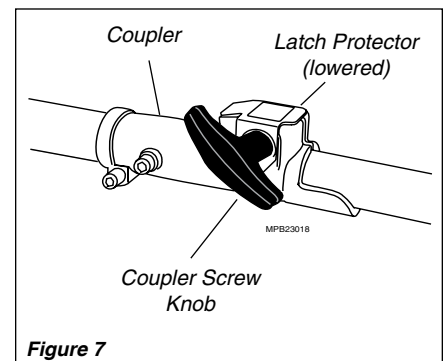
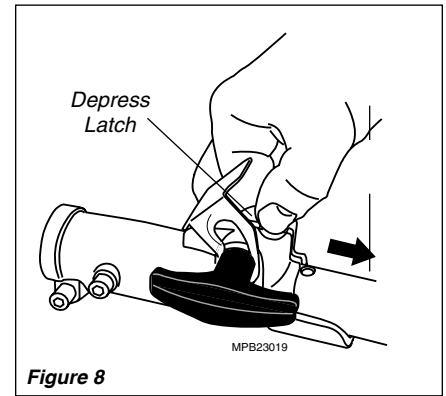


Figure 7

Disassembling The Sections

1. With the Multipurpose PowerBoom on a clean, flat surface, loosen the coupler screw knob. The spring-loaded coupler protector should pop up.
2. Depress the latch with your finger or thumb. This releases the coupler lock. See Figure 8.
3. Pull the tool assembly out of the coupler.



Checking Unit Condition

NEVER operate the unit with the protective devices (ignition switch, etc.) removed!

Use only authorized Shindaiwa parts and accessories with your Shindaiwa Multipurpose Tool. Do not make modifications to your machine without the written approval of Shindaiwa.

ALWAYS make sure the PowerBroom tool is properly installed and firmly tightened before operation.

NEVER use a cracked or warped PowerBroom drum or axle: replace it with a serviceable one.

ALWAYS stop the engine immediately and check for damage if you strike a foreign object or if the machine becomes tangled. Do not operate with broken or damaged equipment.

NEVER allow the engine to run at high RPM without a load. Doing so could damage the engine.

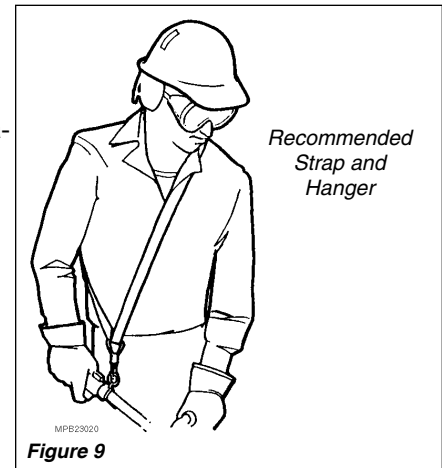
NEVER operate a machine with worn or damaged fasteners or attachment holders.

Strap and Hanger

p/n 22410-17201 and 60840-98020 (optional)

Although a strap and hanger is not required for use with a Shindaiwa PowerBroom Tool, it is recommended to reduce operator fatigue during extended periods of operation.

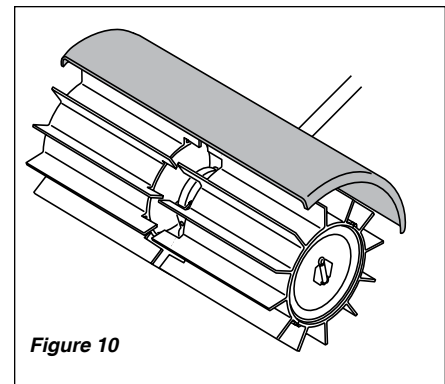
Make sure all hooks and adjusting devices are secure. Adjust the harness shoulder strap so the shoulder pad rests comfortably on the off-side shoulder. See Figure 9.



Debris Shield

p/n 99909-33021 (optional)

A plastic debris shield is available from your Shindaiwa dealer as a useful option to your PowerBroom. The shield helps prevent broadcasting debris when large volumes of material are forced over the top of the drum during operation. See Figure 10.



Operation

Starting and Fueling

For detailed instructions on general safety procedures, fueling, starting, and stopping the Shindaiwa Multipurpose Tool Carrier, refer to the appropriate Owner's Manual for your model machine.



WARNING!

KEEP CLEAR of drum assemblies during starting operations! The drums may rotate during startup.

Break-in and Operation

The PowerBroom works best when its rubber fins can quickly slide or "skim" over the surface being swept.

New or replacement sweeper belts tend to grip or drag on hard surfaces, and should be thoroughly broken in or "scuffed" before the broom is actually put to work.

Break-in is easily accomplished by operating the PowerBroom at full throttle for 3 to 5 minutes in loose gravel or similar abrasive material. Once broken in, a PowerBroom will effortlessly move an amazing variety of materials, ranging from snow or standing water to heavier objects such as gravel or wood chips.

Experience will help you understand the operating principles of the PowerBroom, but safe operation must be practiced from the start.



WARNING!

BURN DANGER! The gear case will become very hot during normal operation.

Operating Techniques

Operate the PowerBroom at or near full throttle with its sweeper fins resting on the work surface.

IMPORTANT!

It is both tiring and unnecessary to lift or hold the fins from the work surface during sweeping.

When sweeping narrow areas such as sidewalks, the PowerBroom can be used to throw material directly ahead of the operator. Clearing wider areas may require sweeping at an angle to create windrows to one side of the path being cleared.

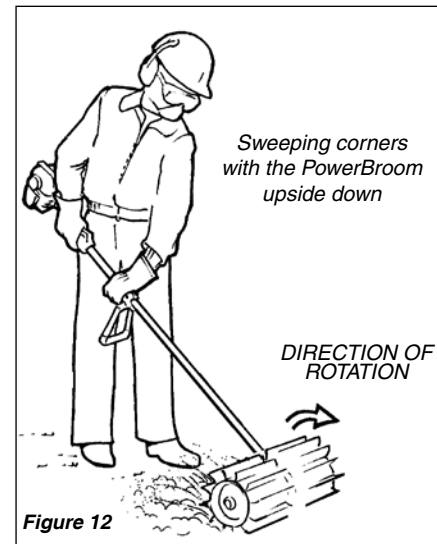
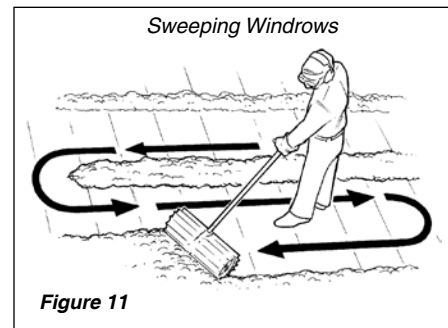
Windrows of lighter materials often can be combined into one main row or pile for eventual pickup, while heavy or bulky material may need to be collected row-by-row. See Figure 11.

To pull debris from corners, reverse sweeper drum rotation by turning the power head over (throttle facing "up"). See Figure 12.



WARNING!

Reversing the PowerBroom will cause debris to be thrown back toward the operator. When reversing the PowerBroom, use lower throttle settings and be aware that thrown debris may also affect your footing!



Maintenance



WARNING!

Before performing any maintenance, repair, or cleaning work on the unit, make sure the engine and attachment are completely stopped. Disconnect the spark plug wire before performing service or maintenance work.



WARNING!

Non-standard parts may not operate properly with your unit, may cause damage and could lead to personal injury.

IMPORTANT!

For detailed maintenance information about your Multipurpose Tool Carrier, consult the owner's manual that was provided with it. If it has been lost or misplaced, contact Shindaiwa for a replacement.

NOTE:

Using non-standard replacement parts could invalidate your Shindaiwa warranty.

300-hour Maintenance

Gear case Lubrication

The gear case should be filled with 60 cc (2.0 fl.oz.) of Mobil SHC634 Synthetic Gear Oil. A maximum of 75-80 cc can be used, but never to exceed 80 cc. Operation with excessive oil level will result in high operating temperatures. **Do not overfill!**

Replacing the gear case oil



WARNING!

BURN DANGER! The gear case will be extremely hot after use!

1. Disconnect spark plug wire at engine.
2. Remove the LH Drum and axle assembly (as viewed from the operating position). Wipe the side plate clean and remove four screws (it is not necessary to remove the gear case from the outer tube).
3. Turn gear case side plate to break the seal and lift the plate from the gear case. See Figure 14.

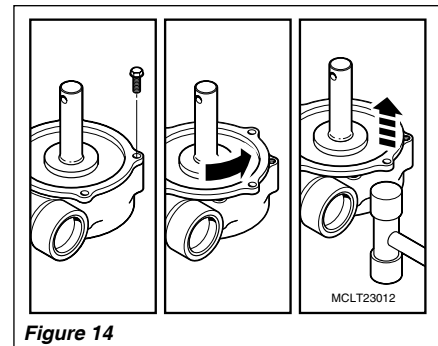


Figure 14

NOTE:

It may be necessary to use a heat gun to soften the sealer material.

4. Turn the gear case to the LH side and allow all used gear case oil to drain into a small container.
5. Place the gear case on the RH side and supported so the outer tube is parallel to the ground. Refill the gear case with 60 cc (2.0 fl.oz.) of Mobil SHC634 Synthetic Gear Oil to the bottom of the chamfer on the output gear. The correct oil depth is 5/8" (15.5 mm). See Figure 15. **DO NOT OVERFILL!**
6. Inspect the side plate for damage and clean off all remaining liquid gasket material with brake cleaner or acetone. Coat the outer sealing flange of the side plate with Loctite Ultragrey Silicon Sealant or Threebond No. 1104 Liquid Gasket.
7. Replace the cover and install the four side plate screws. Tighten securely.
8. Reinstall the drum and axle assembly per the sweeper assembly instructions. See page 6.

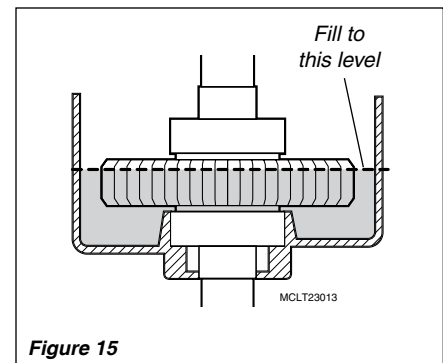


Figure 15

Troubleshooting Guide

Symptom	Possible Cause	Remedy
Excessive vibration	Warped or damaged drums or belts. Loose gear case. Bent main shaft/worn or damaged bushings.	Inspect and replace drum or belt as required. Tighten gear case securely. Inspect and replace as necessary.
Drums will not rotate.	Shaft not installed in coupler or gear case. Broken shaft. Damaged gear case.	Inspect and reinstall as required. Consult with an authorized servicing dealer. Consult with an authorized servicing dealer.
Drums rotate at engine idle.	Engine idle too high. Broken clutch spring or worn clutch spring boss.	Adjust engine idle speed. Replace clutch spring and shoes as required.

**SHINDAIWA LIMITED WARRANTY STATEMENT FOR
PRODUCT SOLD IN USA AND CANADA BEGINNING 01/01/2015**

ECHO, INC'S RESPONSIBILITY

ECHO Incorporated's (ECHO, INC.) Limited Warranty, provides to the original purchaser that this Shindaiwa product is free from defects in material and workmanship. Under normal use and maintenance from date of purchase, ECHO, INC. agrees to repair or replace at it's discretion, any defective product free of charge at any authorized Shindaiwa servicing dealer within listed below application time periods, limitations and exclusions. **THIS LIMITED WARRANTY IS ONLY APPLICABLE TO SHINDAIWA PRODUCTS SOLD BY AUTHORIZED SHINDAIWA DEALERS. IT IS EXTENDED TO THE ORIGINAL PURCHASER ONLY, AND IS NOT TRANSFERABLE TO SUBSEQUENT OWNERS EXCEPT FOR EMISSION RELATED PARTS.** Repair parts and accessories replaced under this warranty are warranted only for the balance of the original unit or accessory warranty period. Any damage caused by improper installation or improper maintenance is not covered by this warranty. All parts or products replaced under warranty become the property of ECHO, INC. This warranty is separate from the Emission control warranty statement supplied with your new product. Please consult the Emission Control Warranty Statement for details regarding emission related parts. For a list of Authorized Shindaiwa Dealers refer to WWW.SHINDAIWA.COM or call **1-877-986-7783**.

OWNER'S RESPONSIBILITY

To ensure trouble free warranty coverage it is important that you register your Shindaiwa equipment on-line at WWW.SHINDAIWA.COM or by filling out the warranty registration card supplied with your unit. Registering your product confirms your warranty coverage and provides a direct link if we find it necessary to contact you.

The owner shall demonstrate reasonable care and use, and follow preventative maintenance, storage, fuel and oil usage as prescribed in the operator's manual. Should a product difficulty occur, you must, at your expense, deliver or ship your Shindaiwa unit to an authorized Shindaiwa servicing dealer for warranty repairs (within the applicable warranty period), and arrange for pick-up or return of your unit after the repairs have been made. For your nearest authorized Shindaiwa servicing dealer, call Shindaiwa's Dealer Referral Center, at 1-877-986-7783 or you can locate a Shindaiwa servicing dealer at WWW.SHINDAIWA.COM. Should you require assistance or have questions concerning Shindaiwa's Warranty Statement, you can contact our Consumer Product Support Department at 1-800-673-1558 or contact us through the web at WWW.SHINDAIWA.COM.

PRODUCT WARRANTY PERIOD

HOMEOWNER APPLICATION

- **5 YEAR WARRANTY** - Units for homeowner, or non-income producing use will be covered by this limited warranty for five (5) years from date of purchase.

EXCEPTIONS:

- For engine powered products, the electronic ignition module, flexible drive cable, and solid drive shaft are warranted for the life* of the product on parts only.
- Cutting attachments such as, but not limited to, bars, chains, sprockets, tines, blades, PowerBroom™, belts, and nylon trimmer heads for homeowner or non-income producing use will be covered for failures due to defects in material or workmanship for a period of 60 days from original product purchase date. Any misuse from contact with concrete, rocks, or other structures is not covered by this warranty.
- Multipurpose Tool Attachments carry the same warranty duration as the units they are designed to fit.

COMMERCIAL APPLICATION

- **1 YEAR WARRANTY** - All Chain Saws for commercial, institutional, agricultural, industrial, or income producing use will be covered by this limited warranty for 1 year from the date of purchase.
- **2 YEAR WARRANTY** - All other units for commercial, institutional, agricultural, industrial, or income producing use will be covered by this limited warranty for two (2) years from the date of purchase.

EXCEPTIONS:

- For engine powered products, the electronic ignition module, flexible drive cables, and solid drive shafts are warranted for the life* of the product on parts only.
- Cutting attachments such as, but not limited to, bars, chains, sprockets, tines, blades, PowerBroom™, belts, and nylon trimmer heads for commercial, institutional, agricultural, industrial, rental, or income producing will be covered for failures due to defects in material or workmanship for a period of 30 days from original product purchase date. Any misuse from contact with concrete, rocks, or other structures is not covered by this warranty.
- Multipurpose Tool Attachments carry the same warranty duration as the units they are designed to fit.

RENTAL APPLICATION - 90 DAYS WARRANTY

- Units for rental use will be covered against defects in material and workmanship for a period of 90 days from the date of purchase.

* ECHO INC's liability under the "Lifetime" coverage is limited to furnishing parts specified under the PRODUCT WARRANTY PERIOD section of this warranty statement for "Life" free of charge for a period of ten (10) years after the date of the complete unit's final production.

PURCHASED REPAIR PARTS AND ACCESSORIES

- 90-day all applications

ATTENTION ENGINE POWERED PRODUCT OWNERS

This Shindaiwa engine powered product is a quality-engineered unit which has been manufactured to exact tolerances to provide superior performance. To help ensure the performance of the unit, it is required to use engine oil which meets the ISO-L-EGD Standard per ISO/CD 13738 and JASO M345/FD Standards. Shindaiwa Red Armor™ is a premium engine oil specifically formulated to meet ISO-L-EGD (ISO/CD 13738) and JASO M345/FD Standards. The use of engine oils designed for other applications, such as for outboard motors or lawnmowers can result in severe engine damage, and will void your engine limited warranty.

THIS WARRANTY DOES NOT COVER DAMAGE CAUSED BY:

- Lack of lubrication or engine failure, due to the use of engine oils that do not meet the ISO-L-EGD (ISO/CD 13738) and JASO M345/FD Standards. Shindaiwa Red Armor™ Engine Oil meets the ISO-L-EGD and JASO M345/FD Standard. Emission related parts are covered for 5 years homeowner or 2 years commercial use regardless of two-stroke oil used, per the statement listed in the EPA or California Emission Control Warranty Explanation.
- Damage caused by use of gasohol, containing methanol (wood alcohol), or gasoline containing less than 89 octane. Only use gasoline which contains 89 octane or higher. Gasohol which contains a maximum 10% ethanol (grain alcohol) or 15% MTBE (methyl/tertiary/butyl/ether) is also approved. The prescribed mixing ratio of gasoline to oil is listed on the Shindaiwa oil label and covered in your operator's manual.
- Engine damage caused by use of ether or any starting fluids.
- Damage caused by tampering with engine speed governor or emission components, or running engines above specified and recommended engine speeds as listed in your operator's manual.
- Operation of the unit with improperly maintained/removed cutting shield or removed/damaged air filter.
- Damage caused by dirt, pressure or steam cleaning the unit, salt water, corrosion, rust, varnish, abrasives, and moisture.
- Defects, malfunctions or failures resulting from abuse, misuse, neglect, modifications, alterations, normal wear, improper servicing, or use of unauthorized attachments.
- Incorrect storage procedures, stale fuel, including failure to provide or perform required maintenance services as prescribed in the operator's manual. Preventative maintenance as outlined in the operator's manual is the customer's responsibility.
- Failures due to improper set-up, pre-delivery service or repair service by anyone other than authorized Shindaiwa servicing dealer during the warranty period.
- Certain parts and other items are not warranted, including but not limited to: lubricants, starter cords, and engine tune-ups.
- Use of spark plugs other than those meeting performance and durability requirements of the OEM spark plug listed in the Operator's Manuals.
- Overheating or carbon scoring failures due to restricted, clogged exhaust port or combustion chamber, including damage to spark arrester screen.
- Adjustments after the first (30) thirty days and beyond, such as carburetor adjustment and throttle cable adjustment.
- Damage to gears or gear cases caused by contaminated grease or oil, use of incorrect type or viscosity of lubricants, and/or failure to comply with recommended grease or oil change intervals.
- Damage caused by pump or sprayer running dry, pumping or spraying caustic or flammable materials, or lack of or broken strainers.
- Additional damage to parts or components due to continued use after operational problem or failure occurs. Should operational problem or failure occur, the product should not be used, but delivered as is to an authorized Shindaiwa servicing dealer.

It is a dealer's and/or customer's responsibility to complete and return the warranty registration card supplied with your Shindaiwa product or by visiting WWW.SHINDAIWA.COM. Your receipt of purchase including date, model and serial number must be maintained and presented to an authorized Shindaiwa servicing dealer for warranty service. Proof of purchase rests solely with the customer. Some states do not allow limitations on how long an implied warranty lasts, so the above limitations may not apply to you. Some states do not allow the exclusion or limitation of incidental or consequential damages, so you may also have other specific legal rights which vary from state to state. This limited warranty is given by ECHO Incorporated, 400 Oakwood Rd., Lake Zurich, IL 60047.

DISCLAIMER OF IMPLIED WARRANTIES

This limited warranty is in lieu of all other expressed or implied warranties, including any warranty of FITNESS FOR A PARTICULAR PURPOSE OR USE and any implied warranty of **MERCHANTABILITY** otherwise applicable to this product. ECHO, INC. and its affiliated companies shall not be liable for any special incidental or consequential damage, including lost profits. There are no warranties extended other than as provided herein. This limited warranty may be modified only by ECHO, INC.


X7561120400
8/15

Product Registration

Thank you for choosing Shindaiwa Power Equipment

Please go to <http://www.shindaiwa-usa.com> to register your new product on-line. It's FAST and EASY! NOTE: your information will never be sold or misused by ECHO, Inc. Registering your purchase enables us to contact you in the unlikely event of a service update or product recall, and verifies your ownership for warranty consideration.

If you do not have access to the Internet, you can complete the form below and mail to: ECHO Inc., Product Registration, PO Box 1139, Lake Zurich IL 60047



PRODUCT REGISTRATION CARD : TARJETA DE REGISTRO : CARTE D'ENREGISTREMENT DU PRODUIT

ONLINE OPTION: Register online and save a stamp! You will be alerted of product updates and/or special offers. Simply go to www.shindaiwa-usa.com

OPCION POR INTERNET: Regístrese en la página web y ahorre una estampita! Le alertarán sobre actualizaciones del producto y/o se le enviara información sobre los nuevos productos Shindaiwa y las ofertas especiales. Simplemente visite: www.shindaiwa-usa.com

OPTION EN LIGNE: Enregistrez en ligne et éparmer un timbre! Vous serez informé sur les nouveaux produits Shindaiwa et les mises à jour de produit ainsi que les offres spéciales. Simplement, visitez le: www.shindaiwa-usa.com

Please Print : Por Favor Escriba Con Letra De Molde : En Lettres Carré S.V.P.

Purchaser's Name : Nombre del Comprador : Nom de l'acheteur

Address : Dirección : Adresse

City : Ciudad : Ville *State : Estado : Province* *Zip Code : Código Postal : Code Postal*

E-Mail Address : Dirección De Correo Electrónico : Courrier Électronique

Phone Number : Número De Teléfono : Téléphone *Date of Purchase : Fecha de la Compra : Date de l'achat*

Where Purchased : Nombre del Almacén donde fue Comprado : Lieu d'achat

Model Number : Numero del Modelo: No. de modelo *Serial Number : Numero de Serie : No. de série*

Primary use of tool: Professional Homeowner Rental Equip.
 Uso primario de la herramienta: Profesional Dueño de casa Alquiler

Usage principal: Profesional Residential Location

Do you wish to receive periodic Shindaiwa product information and special offers by e-mail? Yes No
 ¿Desea usted recibir información periódica y ofertas especiales por correo electrónico sobre el producto Shindaiwa? Yes No

Souhaitez-vous recevoir périodiquement de l'information sur les produits Shindaiwa et les offres spéciales par courrier électronique? Oui Non

Did you visit the Shindaiwa website before purchasing your product?
 Yes No
 Visité usted le página web Shindaiwa antes de comprar su producto?
 Si No
 Avez-vous visité le site d'Shindaiwa avant de procurer votre produit?
 Oui Non

What factor(s) most influenced your purchase?

Performance Price Dealer
 Reliability Prior Experience Quality
 Friend/Family Brand Warranty

¿Qué factor(es) influenció más en su compra?
 Funcionamiento Precio Distribuidor
 Confiabilidad Experiencia Anterior Calidad
 Amigo/Familia Marca Garantía

Quel facteur (facteurs) vous a influencé le plus?
 Performance Prix Marchand
 Fiabilité Expérience Qualité
 Ami/Famille Marque Garantie

1.877.986.7783

www.shindaiwa-usa.com

X7571120102 02-2012

Registering your purchase enables us to contact you in the unlikely event of a service update or product recall and verifies your ownership in the event of loss. El registrar su compra nos permite estar en contacto con usted en caso de cualquier evento como el aviso de tiempo de servicio o la revocación del producto y verificación de propiedad en caso de robo o pérdida. L'enregistrement de votre achat nous permettra de vous contacter dans le cas improbable de modifications des instructions d'entretien ou de rappel et vérifier que vous êtes le propriétaire en cas de vol ou de perte.

NOTES

Servicing Information

Parts/Serial Number

Genuine Shindaiwa Parts and Assemblies for your Shindaiwa products are available only from an Authorized Shindaiwa Dealer. When you do need to buy parts **always** have the Model Number, Type and Serial Number of the unit with you. You can find these numbers on the engine. For future reference, write them in the space provided below.

Model No. _____ SN. _____

Service

Service of this product during the warranty period must be performed by an Authorized SHINDAIWA Service Dealer. For the name and address of the Authorized SHINDAIWA Service Dealer nearest you, ask your retailer or call: 1-877-986-7783. Dealer information is also available on WWW.SHINDAIWA-USA.COM. When presenting your unit for Warranty service/repairs, proof of purchase is required.

Consumer Product Support

If you require assistance or have questions concerning the application, operation or maintenance of this product you may call the SHINDAIWA Consumer Product Support Department at 1-877-986-7783 from 8:00 am to 5:00 pm (Central Standard Time) Monday through Friday. Before calling, please know the model and serial number of your unit.

Warranty Registration

To ensure trouble free warranty coverage it is important that you register your SHINDAIWA equipment on-line at WWW.SHINDAIWA-USA.COM or by filling out the product registration sheet included in this manual. Registering your product confirms your warranty coverage and provides a direct link between you and ECHO if we find it necessary to contact you..

Additional or Replacement Manuals

Replacement Operator and Parts Catalogs are available from your SHINDAIWA dealer or at WWW.SHINDAIWA-USA.COM or by contacting the Consumer Product Support Department (1-877-986-7783). Always check WWW.SHINDAIWA-USA.COM for updated information.

shindaiwa[®]

ECHO Incorporated.
400 Oakwood Road
Lake Zurich, IL 60047-1564 U.S.A.
Telephone: 1-877-986-7783
Fax: 1-847-540-8416
www.shindaiwa.com

Yamabiko Corporation
7-2 Suehirocho 1-Chome, Ohme,
Tokyo, 198-8760, Japan
Phone: 81-428-32-6118
Fax: 81-428-32-6145