

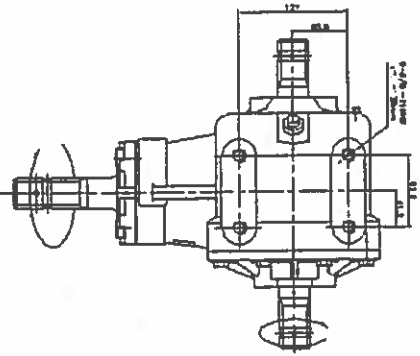
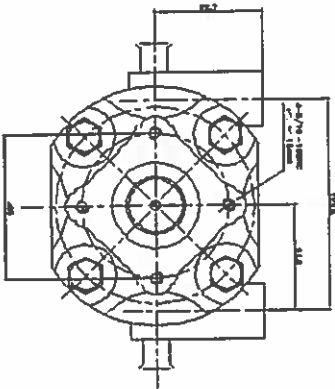
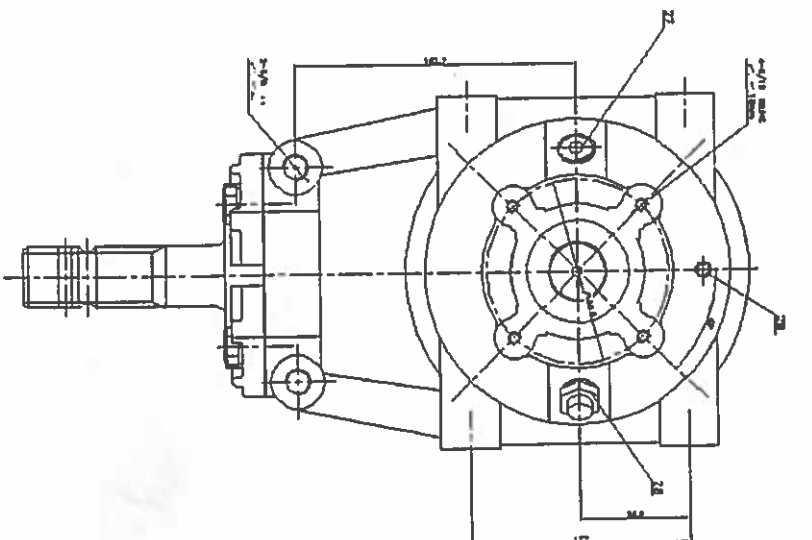
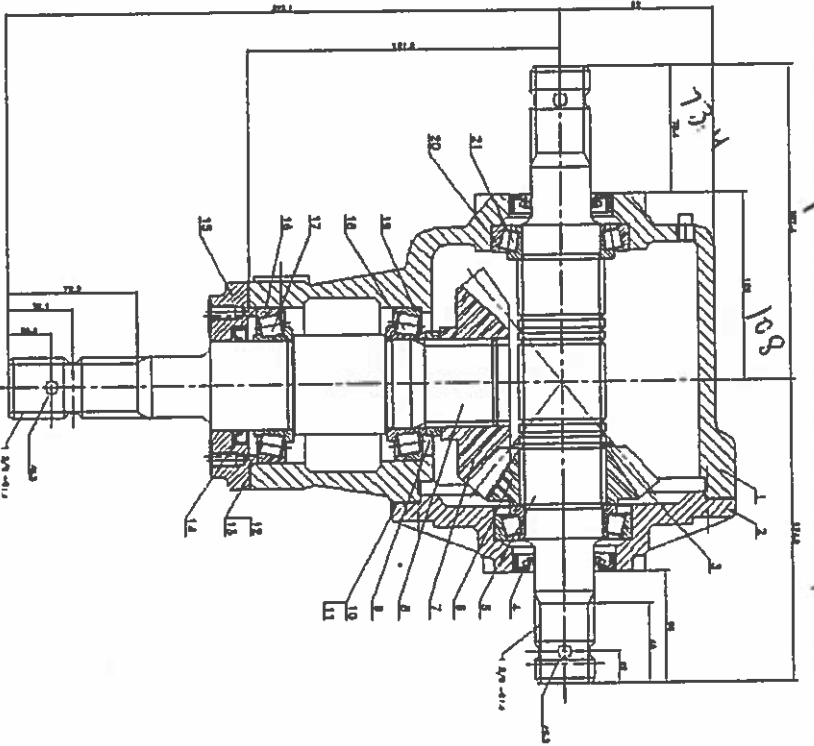
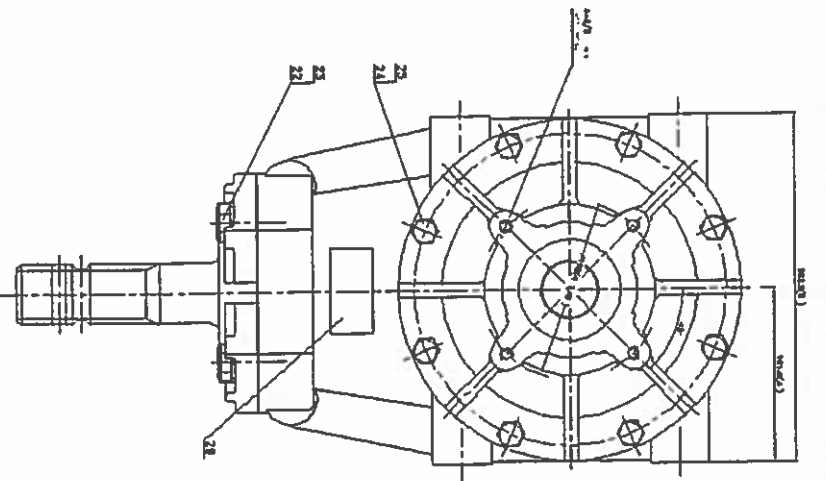
24	STD-P061	SPUNT	2	#5*45	
23	50HD-0321	PIVOT SHAFT	1		
22	STD-P072	PIPE PLUG-INNER 6F	2	KG1/2"	
21	STD-P083	SEMICIRCULAR KEY	1	#38*8	
20	STD-P002	SEAL-OUTPUT	1	#50.8*56.6*8	
19	STD-P034	BEARING CONE	2	LM104949	
18	STD-P033	BEARING CUP	2	LM104911	
17	STD-P041	BEARING CUP	1	LM11910	
16	STD-P042	BEARING CONE	1	LM11949	
15	STD-P039	BEARING CUP	1	LM67010	
14	STD-P040	BEARING CONE	1	LM67048	
13	STD-P052	WASHER	10	3/8"	
12	STD-P051	SCREW	10	3/8"-16UNC	
11	STD-P001	SEAL-INPUT	1	#31.75*44.5*8	
10	50HD-0312	GEAR SHAFT-INPUT	1	11T 3.18:1	
9	50HD-0311	SHAFT-OUTPUT	1		
8	50HD-0313	GEAR-OUTPUT	1	35T 3.18:1	
7	50HD-0302	CAP-INPUT	1	#210*0.3	
6	50HD-0344	GASKET-INPUT	VAR	#96*0.5	
5	50HD-0343	GASKET-INPUT	VAR	#96*0.3	
4	50HD-0342	GASKET-OUTPUT	VAR	#210*0.5	
3	50HD-0341	GASKET-OUTPUT	VAR	#210*0.3	
2	50HD-0301	HOUSING	1		
1	50HD-0303	CAP-BRG SADDLE	1		
SERIAL	PART NO.	TITLE	Q'TY	SPEC	PRICE

ASSEMBLY OF  
PHD-50 (3.18:1)  
REDUCER

50HD-0300

PATENT INC.

80 hp  
SOUTHERN PRIDE 800  
OLD STYLE



11"

32.9 3.26"

技术要术

1. 构造图 1-1
2. 电动机轴、轴封、轴套
3. 电动机轴封、轴套、轴套
4. 电动机轴封、轴套、轴套
5. 电动机轴封、轴套、轴套
6. 电动机轴封、轴套、轴套
7. 电动机轴封、轴套、轴套
8. 电动机轴封、轴套、轴套
9. 电动机轴封、轴套、轴套
10. 电动机轴封、轴套、轴套
11. 电动机轴封、轴套、轴套
12. 电动机轴封、轴套、轴套
13. 电动机轴封、轴套、轴套
14. 电动机轴封、轴套、轴套
15. 电动机轴封、轴套、轴套
16. 电动机轴封、轴套、轴套
17. 电动机轴封、轴套、轴套
18. 电动机轴封、轴套、轴套
19. 电动机轴封、轴套、轴套
20. 电动机轴封、轴套、轴套
21. 电动机轴封、轴套、轴套
22. 电动机轴封、轴套、轴套
23. 电动机轴封、轴套、轴套
24. 电动机轴封、轴套、轴套

PATENT INC.		H-81000	
1	2	3	4
5	6	7	8
9	10	11	12
13	14	15	16
17	18	19	20
21	22	23	24
25	26	27	28
29	30	31	32
33	34	35	36
37	38	39	40
41	42	43	44
45	46	47	48
49	50	51	52
53	54	55	56
57	58	59	60
61	62	63	64
65	66	67	68
69	70	71	72
73	74	75	76
77	78	79	80
81	82	83	84
85	86	87	88
89	90	91	92
93	94	95	96
97	98	99	100