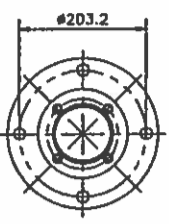
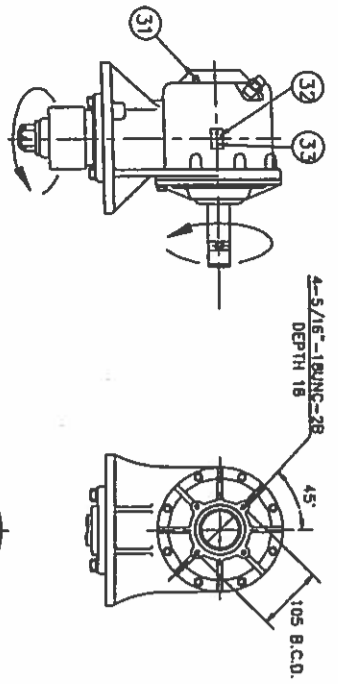


5' 6"  
60HP SW

REVISIONS		DATE	APPROVAL
SYMBOLS	DESCRIPTION		



36	090173	VAR	SHIM 66x79x0.10
35	090174	VAR	SHIM 66x79x0.15
34	090175	VAR	SHIM 66x79x0.30
33	240001	2	RIVET
32	190028	1	I.D. TAG
31	140017	1	PIPE PLUG, 1/8"-27NPTF
30	100001	1	COTTER PIN- 5x50
29	120050	1	NUT
28	210015	1	BLADE HUB
27	110191	4	CAP SCREW M14x35
26	130104	4	M14 LOCKWASHER
25	020005	1	OUTPUT CAP
24	060004	1	SEAL- $\phi$ 68.4x50.8x12.7
23	070145	VAR	GASKET 0.10
22	070144	VAR	GASKET 0.15
21	070143	VAR	GASKET 0.30
20	130060	8	M10 LOCKWASHER
19	110190	8	CAP SCREW M10x30
18	020162	1	INPUT CAP
17	060005	1	SEAL- $\phi$ 60.5x34.9x7.9
16	070142	VAR	GASKET- 0.10
15	070141	VAR	GASKET- 0.15
14	070140	VAR	GASKET- 0.30
13	200003	1	RET. RING
12	140033	1	PLUG 1/2"
11	050013	2	BEARING CUP- LM603014
10	050012	2	BEARING CONE- LM603049
9	040114	1	INPUT SHAFT
8	090055	1	SPACER
7	030039	1	INPUT GEAR- 19T
6	030038	1	OUTPUT GEAR- 13T
5	050014	1	BEARING CUP- 362A
4	050008	2	BEARING CONE- 368
3	050015	1	BEARING CUP- 362
2	040112	1	OUTPUT SHAFT
1	010112	1	HOUSING

OMNI GEAR

ASSEMBLY, 1:1.46 STD.  
INPUT - 1 3/8" - SB  
OUTPUT - STD. HUB  
RC-61 SERIES

SCALE	ACAD REF. NUMBER	OMNI DWG. NUMBER	DATE
NTS	25-250373-S	250373	19 AUG 99

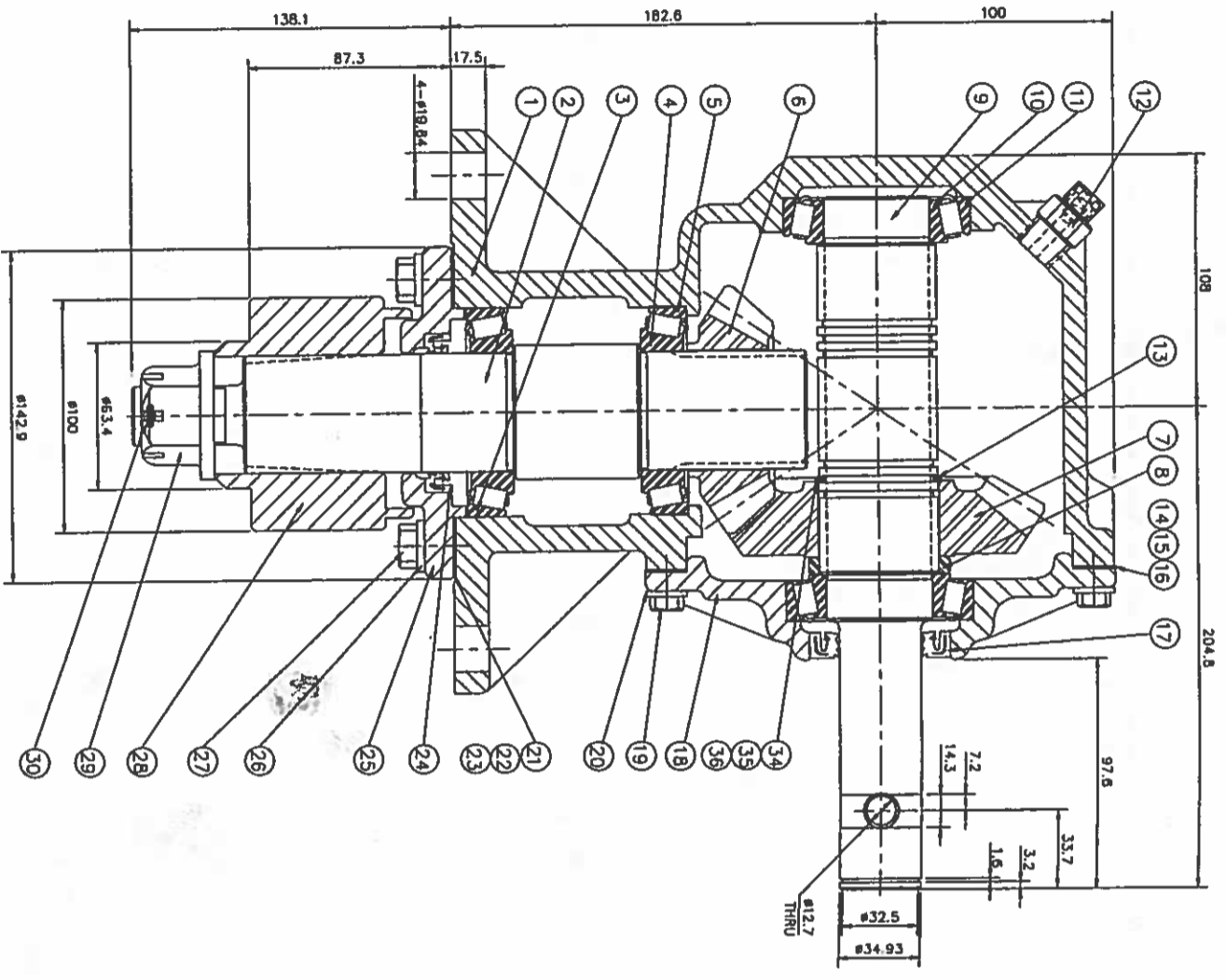
CONFIRMED 9489-950100-BS

Handwritten signature or mark.

RC 61 60HP

I:\Users\ACAD\DRW\SOG CD

S. J. G. SM



TRADE SECRET - CONFIDENTIAL AND PROPRIETARY  
 EXCLUSIVELY OWNED BY OSHA USA, INC. USE OR DISCLOSURE  
 WITHOUT THE WRITTEN PERMISSION OF OSHA USA, INC. IS  
 STRICTLY PROHIBITED. THIS MATERIAL IS PROTECTED UNDER  
 TRADE SECRET AND UNFAIR COMPETITION LAWS. THE  
 FEDERAL COPYRIGHT LAW, VIOLATIONS MAY RESULT IN  
 CIVIL AND CRIMINAL PENALTIES AND FINE.

Drawings