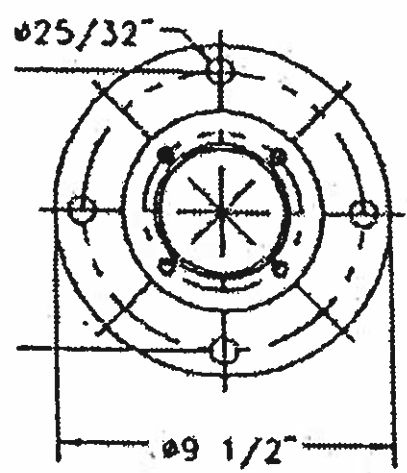
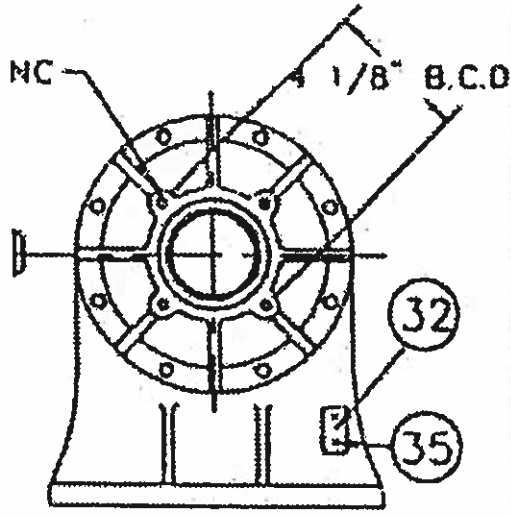


SPLINE



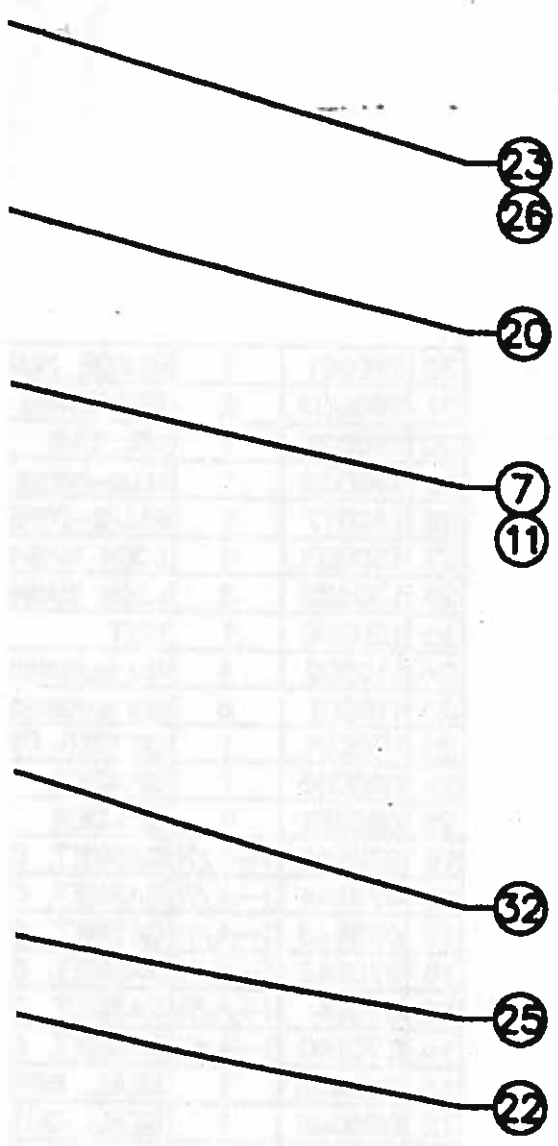
34	210015	1	BLADE HUB
33	200003	2	RET. RING
32	190000	1	I.D. TAG- 20MM X 50MM
31	140033	1	PLUG- PRESSURE RELIEF, 1/2"-14N
30	140017	1	PIPE PLUG- SO. HEAD, 1/8"-27NP
29	130003	4	LOCKWASHER- 1/2" SPLIT TYPE
28	130002	8	LOCKWASHER- 3/8" SPLIT TYPE
27	120050	1	NUT- HEX SLOTTED, 1"-14UNC
26	110002	4	SCREW- HEX CAP, 1/2"-13UNC, GF
25	110001	8	SCREW- HEX CAP, 3/8"-16UNC, GI
24	100001	1	COTTER PIN- 5 X 50
23	090073	VAR	SHIM- .25
22	090055	1	SPACER- 1:1.46 & 1:1.93 GEAR SE
21	090001	1	SPACER- 1:1.93 GEAR SET
20	070145	VAR	GASKET- OUTPUT CAP. 0.10
19	070144	VAR	GASKET- OUTPUT CAP. 0.15
18	070143	VAR	GASKET- OUTPUT CAP. 0.30
17	070142	VAR	GASKET- INPUT CAP. 0.10
16	070141	VAR	GASKET- INPUT CAP. 0.15
15	070140	VAR	GASKET- INPUT CAP. 0.30
14	060005	1	SEAL- 2 LIP, NATIONAL 473215
13	060004	1	SEAL- 2 LIP, NATIONAL 471883
12	050015	1	BEARING CUP- 362
11	050014	1	BEARING CUP- 362A
10	050013	2	BEARING CUP- LM603014
9	050012	2	BEARING CONE- LM603049
8	050008	2	BEARING CONE- 368
7	040135	1	SHAFT- INPUT, 1 3/8"-6A
6			
5	030035	1	GEAR- 15T, PINION
4	030034	1	GEAR- 29T, INPUT
3	020162	1	CAP- INPUT
2	020005	1	CAP- OUTPUT
1	010112	1	HOUSING

DET PART NUMBER QTY DESCRIPTION

OMNIA USA, INC.

ALL DIMENSIONS IN INCHES	SCALE 3/4"=1	MATERIAL	WEIGHT (GRAMS)	DRAWN BY MJP
TOLERANCES (EXCEPT AS NOTED)	REFERENCE NUMBER RC-61\250422	ORIGINAL FOR ASSEMBLY		APPROVED DAK
DECIMAL				DATE 19 JUL
ANGULAR	TITLE RC-61 1:1.93 REV. INPUT- 1 3/8"-6A OUTPUT- STD. HUB		PART NUMBER 250422	
MACHINE FINISH				

2  
 L-PR PRIDE LEFT BOX



*Southern PRIDE  
Right Box*

32	210001	1	BLADE HUB
31	200003	2	RETAINING RING
30	190028	1	I.D. TAG
29	140033	1	PLUG-PRESS RELIEF, 1/2"-14NPTF
28	140017	1	PLUG-PIPE, 1/8"-27NPTF
27	130003	4	LOCK WASHER 1/2"
26	130002	8	LOCK WASHER 3/8"
25	120050	1	NUT
24	110002	4	HEX CAPSCREW 1/2"-13UNCx1 1/2"
23	110001	8	HEX CAPSCREW 3/8"-16UNCx1 1/4"
22	100001	1	COTTER PIN, 5x50
21	090055	1	SPACER
20	090001	1	SPACER
19	070145	1-A/R	GASKET, 0.10mm
18	070144	1-A/R	GASKET, 0.15mm
17	070143	1-A/R	GASKET, 0.30mm
16	070142	1-A/R	GASKET, 0.10mm
15	070141	1-A/R	GASKET, 0.15mm
14	070140	1-A/R	GASKET, 0.30mm
13	060005	1	SEAL, INPUT
12	060085	1	SEAL, OUTPUT
11	050015	1	BEARING CUP-362
10	050014	1	BEARING CUP-362A
9	050013	2	BEARING CUP-LM603014
8	050012	2	BEARING CONE-LM603049
7	050008	2	BEARING CONE-368
6	040135	1	SHAFT, INPUT
5	030035	1	PINION, 15T
4	030034	1	GEAR, 29T
3	020162	1	CAP, THROUGH
2	020005	1	CAP, OUTPUT
1	010112	1	HOUSING

DET PART # QTY. DESCRIPTION



TITLE	ASSEMBLY RC-61 SERIES (1:1.93)	DESIGN BY GH
		APPROVED BY
		DATE 09 APR 01

*Spline*

SCALE NTS	ACAD REF. NUMBER 25-250402-Y	OMNI GEAR NUMBER 250402	REV
CONFIRMED 9730-900315-S			