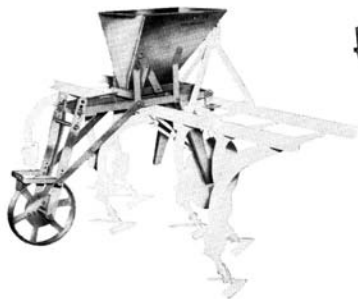
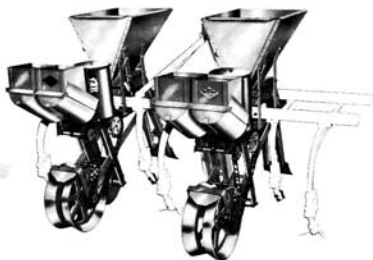


# COVINGTON



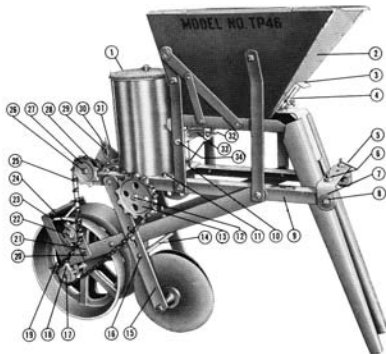
**MODEL TP3A & TP6A  
SIDE DRESSER**



**MODEL TP46  
TRACTOR PLANTER**



PAGE	CONTENTS
2	PLANTER WITH DROPPING SHAFT
3	PLANTER WITH SINGLE GRAIN ATTACHMENT
4	PLATES AND ACCESSORIES FOR MAIN HOPPER BOTTOM (TP500A)
4	MAIN HOPPER BOTTOM (TP500A)
5	STIRRING SHAFT ASSEMBLY (TP40)
5	DROPPING SHAFT ASSEMBLY (TP44)
6	PLATES FOR THE SINGLE GRAIN ATTACHMENT
6	SINGLE GRAIN ATTACHMENT BOTTOM (C900A)
7	SINGLE GRAIN ATTACHMENT SHAFT ASSEMBLY (TP91)
7	PRESSER WHEEL
8	12" OPENING DISC ASSEMBLY (1963- )
8	12" OPENING DISC ASSEMBLY (BEFORE 1963)
9	MISCELLANEOUS — SHOVEL, CULTIVATOR POINT, ETC.
10	SIDE DRESSER — MODEL TP3A AND TP6A
11	NOTES



## MODEL NO. TP46 TRACTOR PLANTER

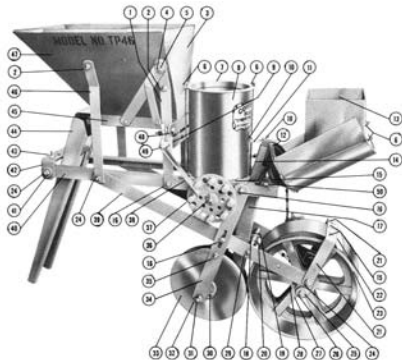
WITH DROPPING SHAFT  
ASSEMBLY

A tractor mounted combination planter and fertilizer distributor for drilling seeds between two equal but separate streams of fertilizer. The planter uses the original hill-drop principle of cotton planting developed by Mr. W. F. Covington, Sr. Replacement of the cotton dropping attachment by an inclined-plate grain attachment converts the planter to a versatile unit for drilling corn, grain, peanuts, peas, beans and many other seeds.

Item No.	Cov. No.	Description	Item No.	Cov. No.	Description
1	TP36A	COVER, Main Seed Can	20	BC-9	BOLT, $\frac{3}{8}$ " x 1" Carriage with
2	TP86FA	BOX END, Front Fertilizer (Metal)	HN4	NUT, $\frac{3}{8}$ " Hex	
3	TP85	GATE, Fertilizer Box Cut-Off	21	TP61	BRACKET, Steel Idler (Prior 1967)
4	TP84A	BOLT, $\frac{3}{8}$ " x $\frac{3}{4}$ " Hex Hd.	TP745	BRACKET, Steel Idler — Short Slotted (1967- )	
	WN4	NUT, $\frac{3}{8}$ " Wing and	22	TP61A	BOLT, $\frac{3}{8}$ " x 1 $\frac{1}{4}$ " Carriage with
	FW4	WASHER, $\frac{3}{8}$ " Flat	HN4	NUT, $\frac{3}{8}$ " Hex	
5	TP68	YOKE, Front Pull	23	TP62	WASHER, 13/32" x 1 $\frac{1}{2}$ " Flat
6	BC-13	BOLT, 7/16" x 1 $\frac{1}{4}$ " Carriage with	24	C864	SPROCKET, 6 Tooth Idler
	HN5	NUT, 7/16" Hex	25	33	CHAIN, No. 33 Steel Sprocket — 1 foot
7	TP33	BEARING, Pull Yoke	26	TP43	SHAFT, Dropping — 7/16" x 10" with
8	BC-10	BOLT, $\frac{3}{8}$ " x 1 $\frac{1}{4}$ " Carriage with	HN4	NUT, $\frac{3}{8}$ " Hex	
	HN4	NUT, $\frac{3}{8}$ " Hex			COTTER PIN, 3/16" x 1"; and
9	TP35R	FRAME, Main Angle — Right	TP48	WASHER, 15/32" Sq. Hole, Flat	
10	TP500	BOTTOM, Main Hopper	27	C818	SPROCKET, 8 Tooth
11	BC-3	BOLT, 5/16" x $\frac{3}{4}$ " Carriage with	28	TP1	BEARING, Dropping, Stirring and G.A. Shaft
	HN3	NUT, 5/16" Hex	29	BC-1	BOLT, $\frac{1}{4}$ " x $\frac{3}{4}$ " Carriage with
12	TP38	SHAFT, Stirring—7/16" Sq. x 10 $\frac{3}{4}$ " with	FW2	WASHER, $\frac{1}{4}$ " Flat and	
	HN4	NUT, $\frac{3}{8}$ " Hex	WN2	NUT, $\frac{1}{4}$ " Wing	
			30	C811	FINGER, Dropping
			31	C809	PLATE, Steel Finger
			32	TP81A	BOLT, 5/16" x 3 $\frac{3}{4}$ " Carriage with
			HN3	NUT, 5/16" Hex and	
13	TP7	SPROCKET, 12 Tooth	FW3	WASHER, 5/16" Flat and	
14	TP51B	SPACER, Opening Disc Brace — $\frac{3}{8}$ " x 8" Pipe	LW3	WASHER, 5/16" Lock	
15	TP50R	BRACE, Opening Disc — Right	33	TP78	SPRING, No. 2 Vibrating
16	TP51A	BOLT, $\frac{3}{8}$ " x 9 $\frac{1}{4}$ " Carriage with	34	BM-4	BOLT, 7/16" x 1" Hex Hd. with
	HN4	NUT, $\frac{3}{8}$ " Hex	HN5	NUT, 7/16" Hex	
17	BM-1	BOLT, $\frac{3}{8}$ " x 1" Hex Hd.	TP87A	BRACE, Box Steady (not shown)	
18	C817	SPROCKET, 6 Tooth			
19	BM-2	BOLT, $\frac{3}{8}$ " x 1 $\frac{1}{4}$ " Hex Hd. with			
	HN4	NUT, $\frac{3}{8}$ " Hex			

## MODEL NO. TP46 TRACTOR PLANTER

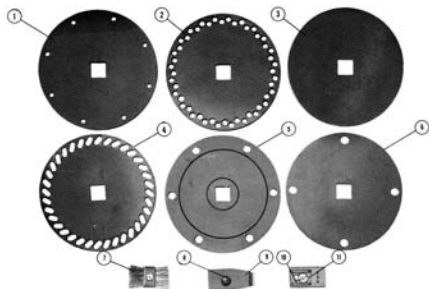
WITH SINGLE GRAIN  
ATTACHMENT



Item No.	Cov. No.	Description
1	TP88	BRACE, Rear Fertilizer Box
2	BC-5	BOLT, 5/16" x 1 1/2" Carriage with HN3 NUT, 5/16" Hex
3	TP86RA	BOX END, Rear Fertilizer (Metal)
4	BC-6	BOLT, 5/16" x 1 3/4" Carriage with HN3 NUT, 5/16" Hex
5	TP34	BUSHING, Vibrating Pan
6	TP65	ROD, Can—1/4" x 12 1/2" Carriage with WN2 NUT, 1/4" Wing
7	C857	RING, Main Seed Can
8	TP36	CAN, Main Seed—Round
9	TP80	YOKE, Vibrating Pan
10	BC-3	BOLT, 5/16" x 3/4" Carriage with WN3 NUT, 5/16" Wing and FW4 WASHER, 3/8" Flat
11	TP93	HOLDER, Grain Attachment Bracket
12	C900	BOTTOM, Grain Attachment
13	TP94	CAN, Grain Attachment Seed
14	TP95	SPOUT, Grain Attachment Seed
15	BC-3	BOLT, 5/16" x 3/4" Carriage with HN3 NUT, 5/16" Hex
16	BC-9	BOLT, 3/8" x 1" Carriage with HN4 NUT, 3/8" Hex
17	TP66	SPOUT, Main Seed (for Single Gr. Att.)
18	TP618	SPOUT, Main Seed (for Duplex Gr. Att.)
18	TP52C	SPACER, Main Seed Spout Support — 3/8" x 1 1/2" Pipe
19	TP52B	SPACER, Main Seed Spout Support — 3/8" x 2 3/8" Pipe
20	TP619	BRACKET, Main Seed Spout
21	TP56	BRACE, Presser Wheel Scrape — Pair
22	TP55	SCRAPE, Presser Wheel
23	C845	WHEEL HALF, Presser
24	BC-10	BOLT, 3/8" x 1 1/4" Carriage with HN4 NUT, 3/8" Hex
25	TP14	BEARING, Presser Wheel Shaft

Item No.	Cov. No.	Description
26	BM-1	BOLT, 3/8" x 1" Hex Head
27	TP62	WASHER, 13/32" x 1 3/8" Flat
28	TP64	FITTING, 1/2" Straight Lubrication
29	TP52A	BOLT, 3/8" x 8 1/2" Carriage with HN4 NUT, 3/8" Hex
30	TP503	BEARING, Opening Disc (Before 1963)
31	TP513	BEARING, Opening Disc (1963- )
31	SN-6	NUT, 1/2" Hex
32	TP49B	AXLE, Disc Bearing—9/16" Sq. x 10"
33	TP19	DISC, 12" Opening
34	TP50L	BRACE, Opening Disc — Left
35	TP51A	BOLT, 3/8" x 9 1/4" Carriage with HN4 NUT, 3/8" Hex
36	TP38	SHAFT, Stirring—7/16" Sq. x 10 3/4" with HN4 NUT, 3/8" Hex
		COTTER PIN, 3/16" x 1"; and
37	TP48	WASHER, 15/32" Square Hole, Flat
38	TP2	VIBRATOR, Distributor Drive
38	TP82A	ARM, Vibrating (Welded Assembly)
39	TP59	ARM, Presser Wheel Pull
40	TP35L	FRAME, Main Angle — Left
41	TP33	BEARING, Pull Yoke
42	TP68	YOKE, Front Pull
43	BC-13	BOLT, 7/16" x 1 1/4" Carriage with HN5 NUT, 7/16" Hex
44	TP77	SPOUT, Fertilizer
45	TP79A	PAN, Vibrating (Riveted Assembly)
46	TP87	BRACE, Front Fertilizer Box
47	TP83A	BOX, Fertilizer — Large
48	BM-1	BOLT, 3/8" x 1" Hex Head with HN4 NUT, 3/8" Hex
49	BM-5	BOLT, 7/16" x 2 1/2" Hex Head with HN5 NUT, 7/16" Hex (2)
50	TP1	BEARING, Dropping, Stirring and G.A. Shaft
	TP87A	BRACE, Box Steady (not shown)

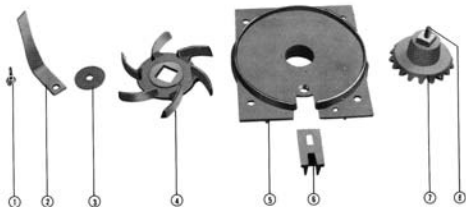
## PLATES AND ACCESSORIES FOR MAIN HOPPER BOTTOM (TP500)



No. Item No.	Cov. No.	Description	Item No.	Cov. No.	Description
1	C828	PLATE, 8 Hole Sorghum	8		BOLT, 5/16" x 3/4" Carriage with WASHER, 5/16" Flat and NUT, 5/16" Wing
2	C867	PLATE, 48 Hole Soy Bean			
3	C870	PLATE, Blank			
4	TP509	PLATE, 36 Hole Snap Bean	9	TP495	CUT-OFF, Vegetable Drilling CONVEYOR, Vegetable Drilling SCREW 5/16" x 1" F. H. Machine with NUT, 5/16" Hex
5	TP508	PLATE, 6 Hole Delinted Cottonseed	10		
6	TP507	PLATE, 4 Hole Velvet Bean	11		
7	C94	BRUSH, Cut-Off			

} ATTACHMENT, Vegetable Drilling

## MAIN HOPPER BOTTOM (TP500A)

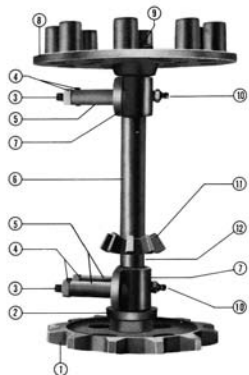


Item No.	Cov. No.	Description	Item No.	Cov. No.	Description
1	WN4	NUT, 3/8" Wing	6	C802	CONVEYOR, Cotton Seed with
2	TP37	AGITATOR, Seed		BS-4	BOLT, 5/16" x 1" Stove (not shown) and
3	TP63	WASHER, 13/32" x 2" Flat		HN3	NUT, 5/16" Hex (not shown)
4	C853	STIRRER, Cotton Seed	7	TP501	GEAR, 18 Tooth Plate
5	TP500	BOTTOM, Main Hopper	8	BM-2	BOLT, 3/8" x 1 1/4" Hex Head

## STIRRING SHAFT ASSEMBLY (TP40)

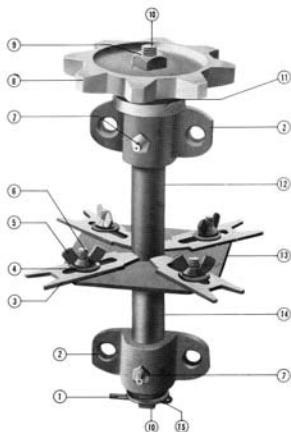
(PLUS TP53 AND 5/16" CARRIAGE BOLTS)

Item No.	Cov. No.	Description
1	TP7	SPROCKET, 12 Tooth
2	TP32	BUSHING, Sprocket
3	BC-7	BOLT, 5/16" x 2 1/4" Carriage
4	HN3	NUT, 5/16" Hex
5	TP53	SUPPORT, Stirring Shaft Pipe — 1/4" x 1-7/16"
6	TP42	BUSHING, Stirring Shaft Pipe Space — 1/2" x 5 3/8"
7	TP1	BEARING, Dropping, Stirring and G.A. Shaft
8	TP2	VIBRATOR, Distributor Drive
9	TP38	SHAFT, Stirring—7/16" Sq. x 10 3/4", with COTTER PIN, 3/16" x 1" (hidden) and
	TP48	WASHER, 15/32" Sq. Hole, Flat (hid.) & HN4
	HN4	NUT, 3/8" Hex (hidden)
10	TP64	FITTING, 1/8" Straight Lubrication
11	TP502	GEAR, 9 Tooth Pinion
12	TP41	BUSHING Stirring Shaft Pipe Space — 1/2" x 1-15/16"

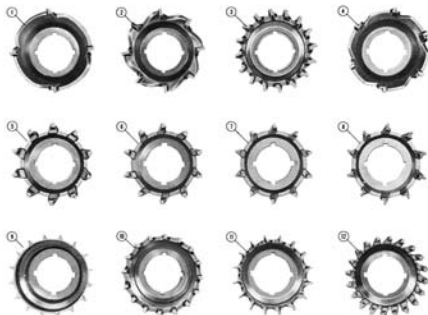


## DROPPING SHAFT ASSEMBLY (TP44)

Item No.	Cov. No.	Description
1	—	COTTER PIN, 3/16" x 1"
2	TP1	BEARING, Dropping, Stirring and G.A. Shaft
3	C811	FINGER, Dropping
4	FW2	WASHER, 1/4" Flat
5	WN-2	NUT, 1/4" Wing
6	BC-1	BOLT, 1/4" x 3/4" Carriage
7	TP64	FITTING, 1/8" Straight Lubrication
8	C818	SPROCKET, 8 Tooth
9	HN4	NUT, 3/8" Hex
10	TP43	SHAFT, Dropping — 7/16" Sq. x 10"
11	TP32	BUSHING, Sprocket
12	TP47	BUSHING, Dropping Shaft Pipe Space - 1/2" x 4-1/16"
13	C809	PLATE, Steel Finger
14	TP46	BUSHING, Dropping Shaft Pipe Space - 1/2" x 3 3/8"
15	TP48	WASHER, 15/32" Square Hole Flat



## PLATES FOR THE SINGLE GRAIN ATTACHMENT



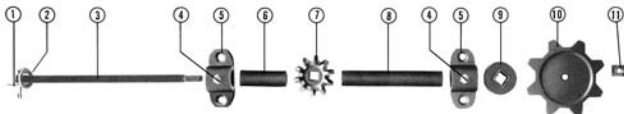
Item No.	Cov. No.	Description	Item No.	Cov. No.	Description
1	C904	PLATE, 4 Cell Corn	13	TP534	PLATE, 10 Cell Corn—Single Cross (not shown)
2	C905	PLATE, 8 Cell Peanut	14	TP537	PLATE, 16 Cell Peanut—Jumbo (not shown)
3	C906	PLATE, 16 Cell Peanut	15	TP538	PLATE, 10 Cell Corn—Large Flat (not shown)
4	C907	PLATE, 6 Cell Corn	16	TP539	PLATE, 28 Cell Peanut—Small (not shown)
5	TP525	PLATE, 10 Cell Corn—Medium Flat	17	TP540	PLATE, 2 Cell Watermelon or V. Bean (not shown)
6	TP527	PLATE, 10 Cell Corn—Small Round	18	TP548	PLATE, 37 Cell Soy Bean (not shown)
7	TP528	PLATE, 10 Cell Corn—Medium Round			
8	TP529	PLATE, 10 Cell Corn—Large Round			
9	TP530	PLATE, 16 Cell Soy Bean			
10	TP531	PLATE, 16 Cell Sorghum			
11	TP532	PLATE, 16 Cell Peanut—Large			
12	TP533	PLATE, 20 Cell Delinted Cottonseed			

## SINGLE GRAIN ATTACHMENT BOTTOM (C900A)



Item No.	Cov. No.	Description	Item No.	Cov. No.	Description
1	WN-4	NUT, $\frac{3}{8}$ " Wing	7	HN4	NUT, $\frac{3}{8}$ " Hex
2	FW4	WASHER, $\frac{3}{8}$ " Flat	8	TP63	WASHER, 13/32" x 2" Flat
3	LW6	WASHER, $\frac{1}{2}$ " Lock	9	C901	GEAR, 16 Tooth Plate
4	C908	CONE, Adjustment	10	C900	BOTTOM, Grain Attachment
5	TP910	WASHER, Grain Attachment Plate	11	TP61A	BOLT, $\frac{3}{8}$ " x 1 $\frac{1}{4}$ " Carriage
6	C904	PLATE, 4 Cell Corn			

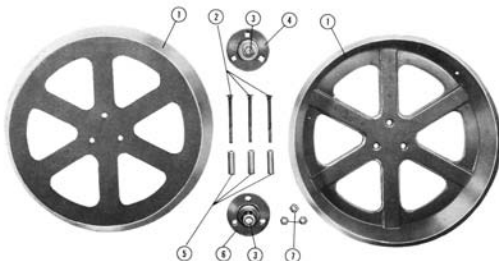
## SINGLE GRAIN ATTACHMENT SHAFT ASSEMBLY (TP91)



Item No.	Cov. No.	Description
1	—	COTTER PIN, 3/16" x 1"
2	TP48	WASHER, 15/32" Square Hole, Flat
3	TP89	SHAFT, Grain Attach.—7/16" Sq. x 10"
4	TP64	FITTING, 1/8" Straight Lubrication
5	TP1	BEARING, Dropping, Stirring and G.A. Shaft
6	TP91B	BUSHING, Grain Attach. Pipe Space — (1/2" x 2 1/2")

Item No.	Cov. No.	Description
7	C804	GEAR, 10 Tooth Pinion
8	TP91A	BUSHING, Grain Attach. Pipe Space — (1/2" x 5-5/16")
9	TP32	BUSHING, Sprocket
10	C818	SPROCKET, 8 Tooth
11	HN4	NUT, 3/8" Hex

## PRESSER WHEEL

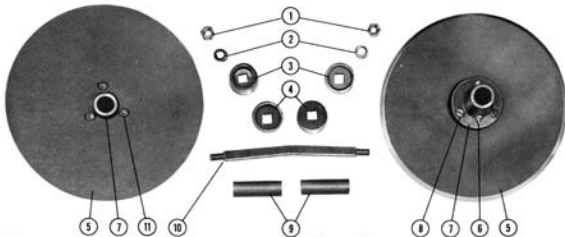


Item No.	Cov. No.	Description
1	C845	WHEEL HALF, Presser
2	BC-8	BOLT, 5/16" x 3 1/2" Carriage
3	BM-1	BOLT, 3/8" x 1" Hex Head
4	TP30	SHAFT, Presser Wheel—Sprocket End

Item No.	Cov. No.	Description
5	TP57	SPACER, Presser Wheel Pipe — 1/4" x 1 3/4"
6	TP31	SHAFT, Presser Wheel — Plain End
7	HN3	NUT, 5/16" Hex

## 12" OPENING DISC ASSEMBLY (1963- )

TP692 LESS BRACES (TP50) AND SPACER (TP51)

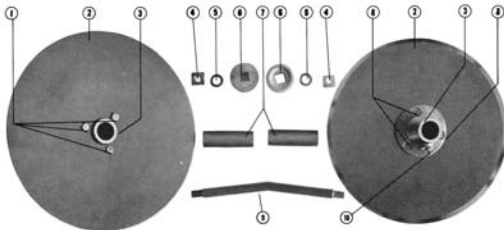


Item No.	Cov. No.	Description
1	HN6	NUT, 1/2" Hex
2	LW6	WASHER, 1/2" Lock
3	TP514	SPACER, Disc Bearing (1963- )
4	TP515	END CAP, Disc Bearing (1963- )
5	TP19	DISC, 12" Opening
6	TP64	FITTING, 1/8" Straight Lubrication

Item No.	Cov. No.	Description
7	TP513	BEARING, Disc (1963- )
8	MS1	SCREW, 1/4" x 3/4" F. H. Machine
9	TP516	BUSHING, Disc Bearing - 3/4"x3-1/8" Pipe
10	TP49B	AXLE, Disc Bearing
11	HN2	NUT, 1/4" Hex

## 12" OPENING DISC ASSEMBLY (BEFORE 1963)

TP49 LESS BRACES (TP50) AND SPACER (TP51)



Item No.	Cov. No.	Description
1	HN2	NUT, 1/4" Hex
2	TP19	DISC, 12" Opening
3	TP503	BEARING, Opening Disc
4	HN6	NUT, 1/2" Hex
5	LW6	WASHER, 1/2" Lock
6	TP504	SPACER, Opening Disc Bearing

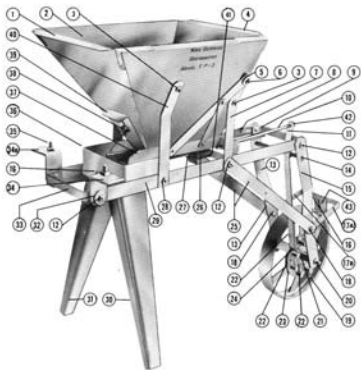
Item No.	Cov. No.	Description
7	TP49A	BUSHING, Disc Bearing — 3/4" x 3 1/4" Pipe
8	MS-1	SCREW, 1/4" x 3/4" F. H. Machine
9	TP49B	AXLE, Disc Bearing
10	TP64	FITTING, 1/8" Straight Lubrication





**MODEL NO. TP-3A**  
**and**  
**MODEL TP-6A**  
**SIDE DRESSER**

**MODEL TP6A SAME AS  
 MODEL TP3A, EXCEPT,  
 MODEL TP6A  
 WITH FIBERGLAS  
 FERTILIZER BOX**



A tractor mounted Side Dressing Distributor for applying fertilizer to two rows at one time during the normal cultivation procedure. The unit can be adjusted to distribute fertilizer at any normal rate per acre and can be used on any normal width rows.

Item No.	Cov. No.	Description	Item No.	Cov. No.	Description
1	TP86FA	BOX END, Front Fertilizer (Metal)	23	HN3	NUT, 5/16" Hex
2	SD83A	BOX, Fertilizer, Large	24	D6	VIBRATOR, Drive Wheel
	TP820	BOX, Fertilizer, Fiberglass	25	SD5	BRACE, Pull Arm Wheel
3	BC-5	BOLT, 5/16" x 1 1/2" Carriage with	26	TP78	SPRING, No. 2 Vibrating
	HN3	NUT, 5/16" Hex	27	TP61A	BOLT, 5/16" x 3 3/4" Carriage with
4	TP86RA	BOX END, Rear Fertilizer (Metal)		HN3	NUT, 5/16" Hex and
5	TP34	BUSHING, Vibrating Pan		FW3	WASHER, 5/16" Flat and
6	BC-6	BOLT, 5/16" x 1 3/4" Carriage with		LW3	WASHER, 5/16" Lock
	HN3	NUT, 5/16" Hex	28	BC-9	BOLT, 3/8" x 1" Carriage with
7	SD88	BRACE, Rear Fertilizer Box		HN4	NUT, 3/8" Hex
8	SD35R	FRAME, Main Angle — Right	29	SD35L	FRAME, Main Angle — Left
9	SD2R	SPACER, Rear Frame (Same as SD80)	30	SD77L	SPOUT, Fertilizer — Left
10	SD3	ROD, Adjusting — 3/8" x 14 1/2"	31	SD77R	SPOUT, Fertilizer — Right
11	SD7	SUPPORT, Tappet Arm	32	TP33	BEARING, Pull Yoke
12	BC-10	BOLT, 3/8" x 1 1/4" Carriage with	33	SD2F	SPACER, Front Frame (Same as SD80)
	HN4	NUT, 3/8" Hex	34A	SD68L	YOKE, Front Pull — Left
13	SD4R	STANDARD, Main Wheel — Right	34B	SD68R	YOKE, Front Pull — Right
14	TP51A	BOLT, 3/8" x 9/4" Carriage with	35	BC-13	BOLT, 7/16" x 1 1/4" Carriage with
	HN4	NUT, 3/8" Hex		HN5	NUT, 7/16" Hex
15	SD4L	STANDARD, Main Wheel — Left	36	SD70A	YOKE, Fertilizer Spout
16	BC-3	BOLT, 5/16" x 3/4" Carriage with	37	SD79A	PAN, Vibrating (Riveted Assembly)
	HN3	NUT, 5/16" Hex	38	TP84R	BOLT, 3/8" x 3/4" Hex Head with
17A	SD56	BRACE, Wheel Scrape — Left		WN4	NUT, 3/8" Wing and
17B	SD56	BRACE, Wheel Scrape — Right		FW4	WASHER, 3/8" Flat
18	BM-1	BOLT, 3/8" x 1" Hex Head with	39	TP85	GATE, Fertilizer Box Cut-Off
	HN4	NUT, 3/8" Hex	40	SD87	BRACE, Front Fertilizer Box
19	D9	WHEEL, Cast Drive	41	SD80	YOKE, Vibrating Pan
20	SD1A	BOLT, 7/16" x 7 1/2" Hex Head with	42	HN4	NUT, 3/8" Hex (2)
	HN5	NUT 7/16" Hex and		LW4	WASHER, 3/8" Lock
	SD1B	BUSHING, Pipe (for D7)—Hidden	43	SD54A	SCRAPE, Wheel
21	D7	AXLE, Drive Wheel		SD19	BUSHING, Wheel Standard (not shown)
22	BC-4	BOLT, 5/16" x 1" Carriage with			



