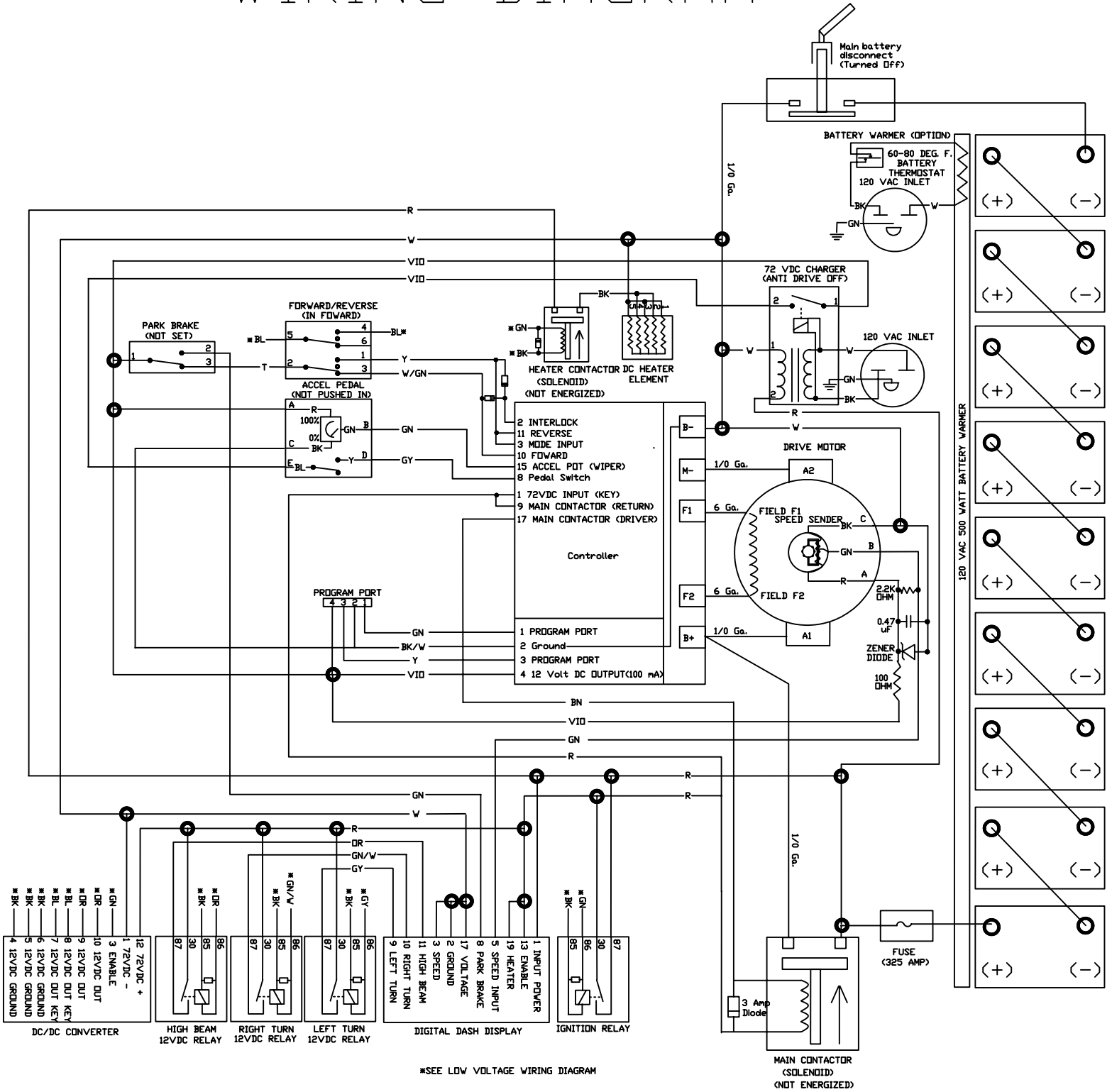


DC DRIVE HIGH VOLTAGE WIRING DIAGRAM



- 12 72VDC +
- 11 72VDC -
- 10 12VDC DUT
- 9 12VDC DUT
- 8 12VDC DUT KE
- 7 12VDC DUT KE
- 6 12VDC GROUND
- 5 12VDC GROUND
- 4 12VDC GROUND

- 86 85 87
- 86 85 87
- 86 85 87

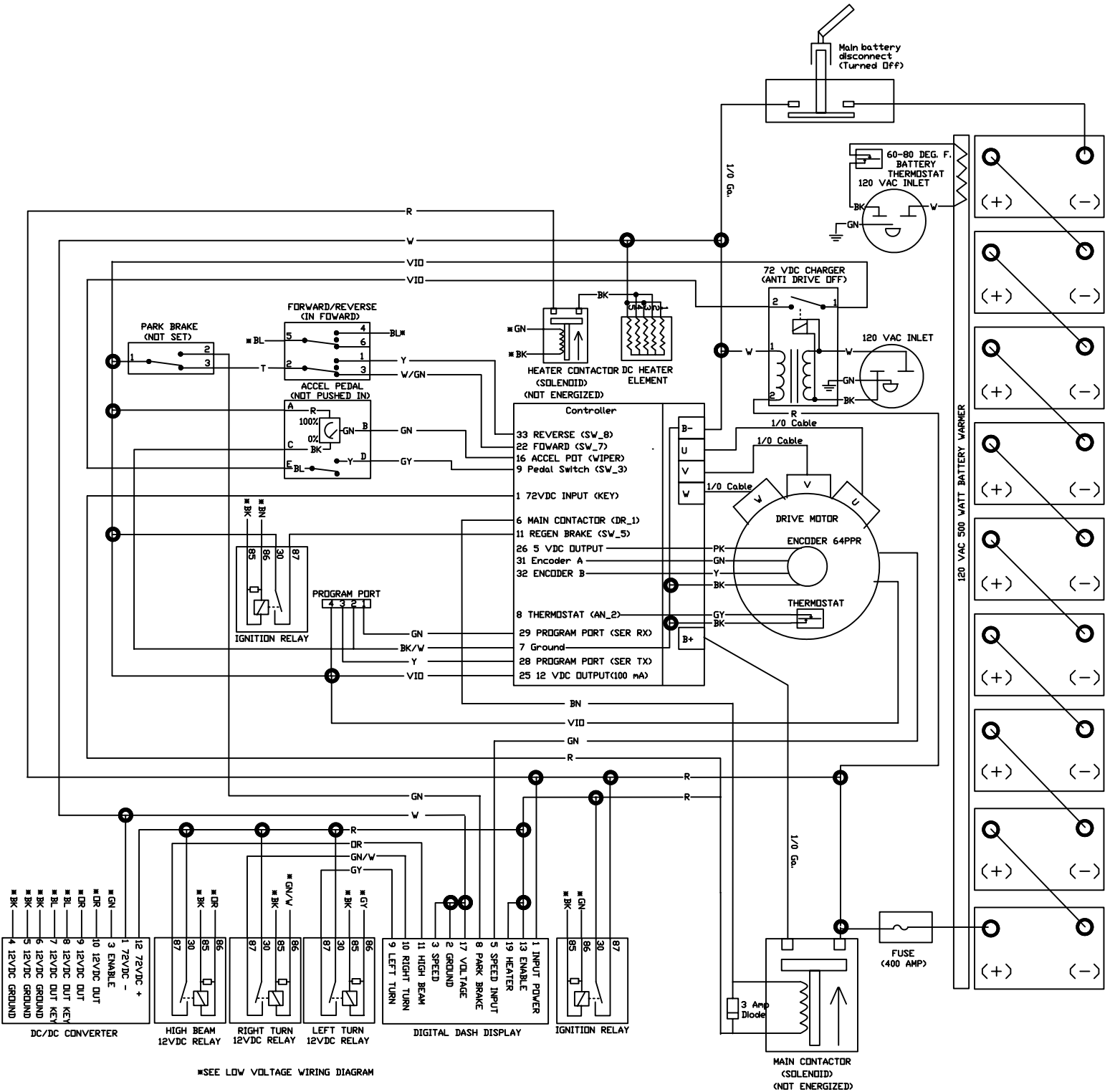
- 86 85 87
- 86 85 87
- 86 85 87

- 1 INPUT POWER
- 19 HEATER
- 13 ENABLE
- 5 SPEED INPUT
- 8 PARK BRAKE
- 17 VOLTAGE
- 2 GROUND
- 3 SPEED
- 11 HIGH BEAM
- 10 RIGHT TURN
- 9 LEFT TURN

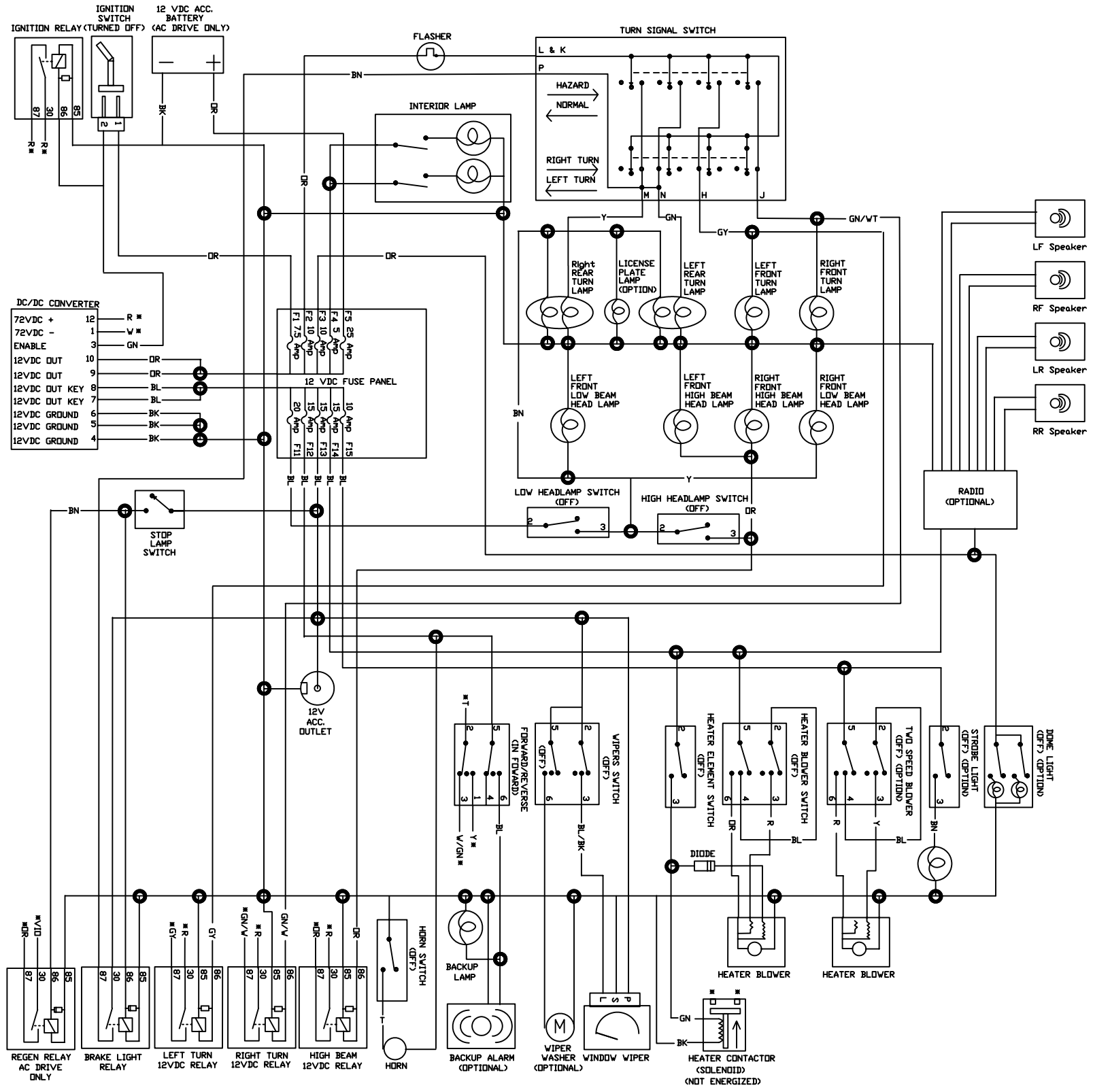
- 87 86 85
- 87 86 85
- 87 86 85

MAIN CONTACTOR (SOLENOID) (NOT ENERGIZED)

AC DRIVE HIGH VOLTAGE WIRING DIAGRAM

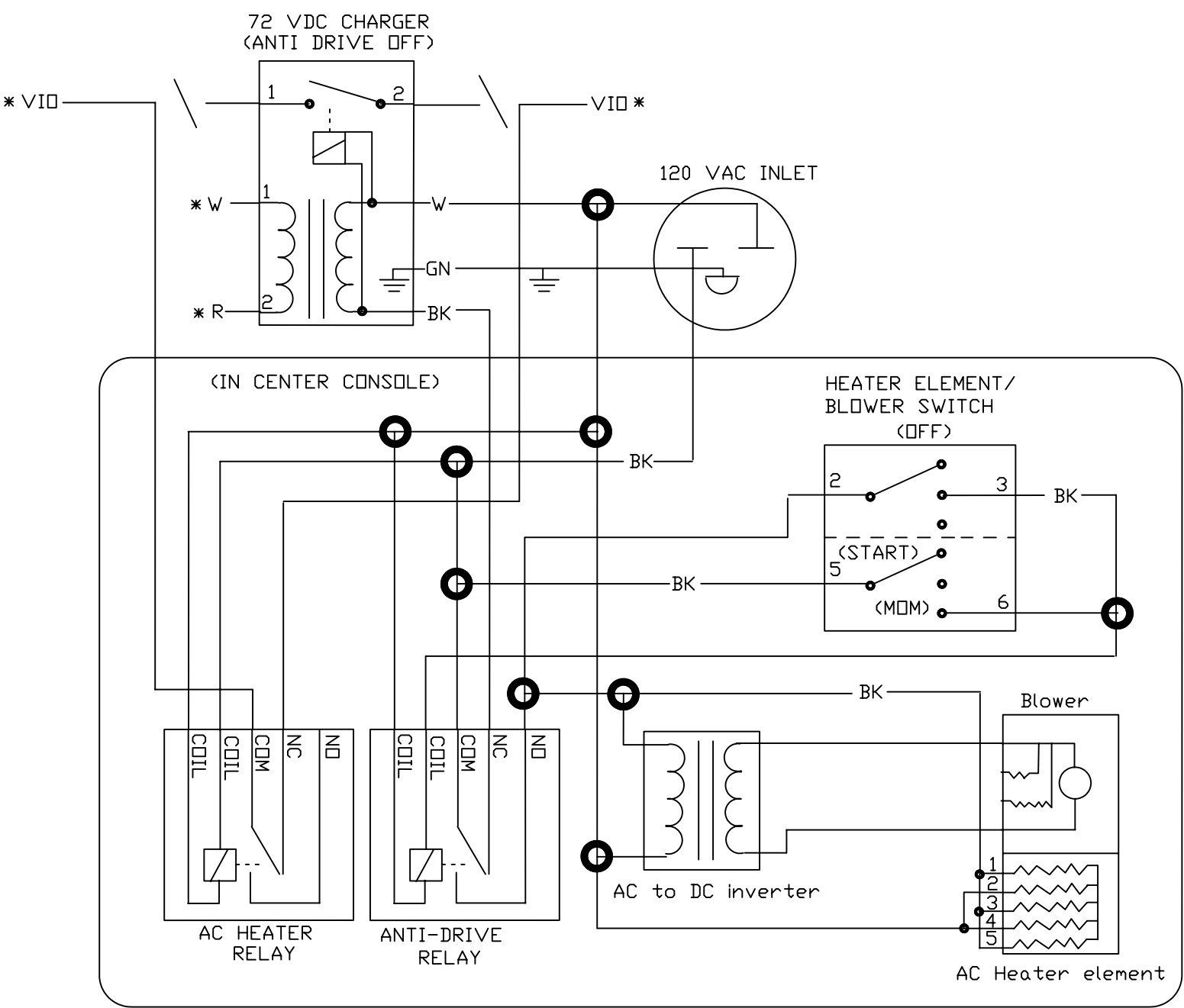


LOW VOLTAGE WIRING DIAGRAM



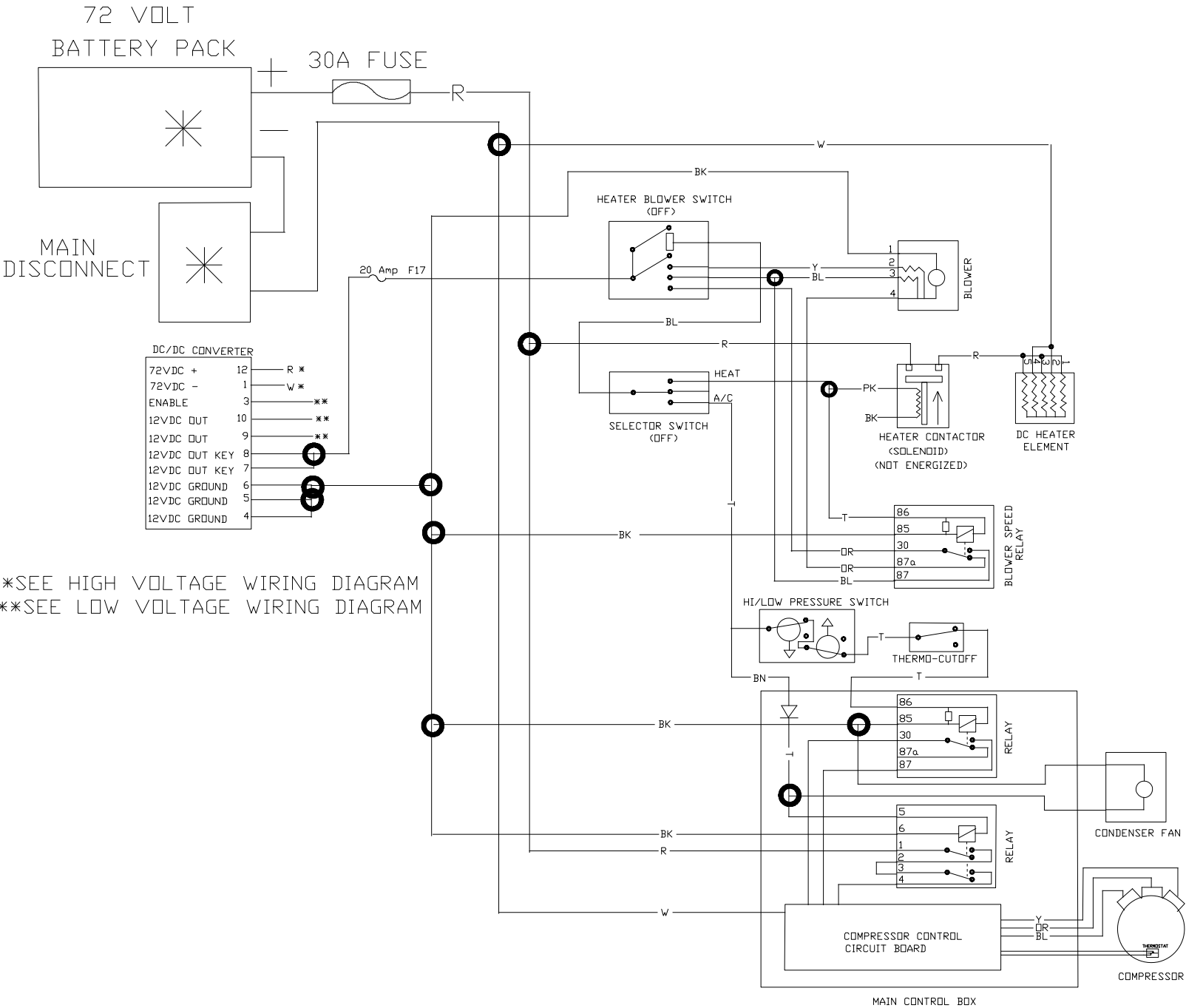
SEE HIGH VOLTAGE WIRING DIAGRAM

AC CAB HEATER WIRING DIAGRAM

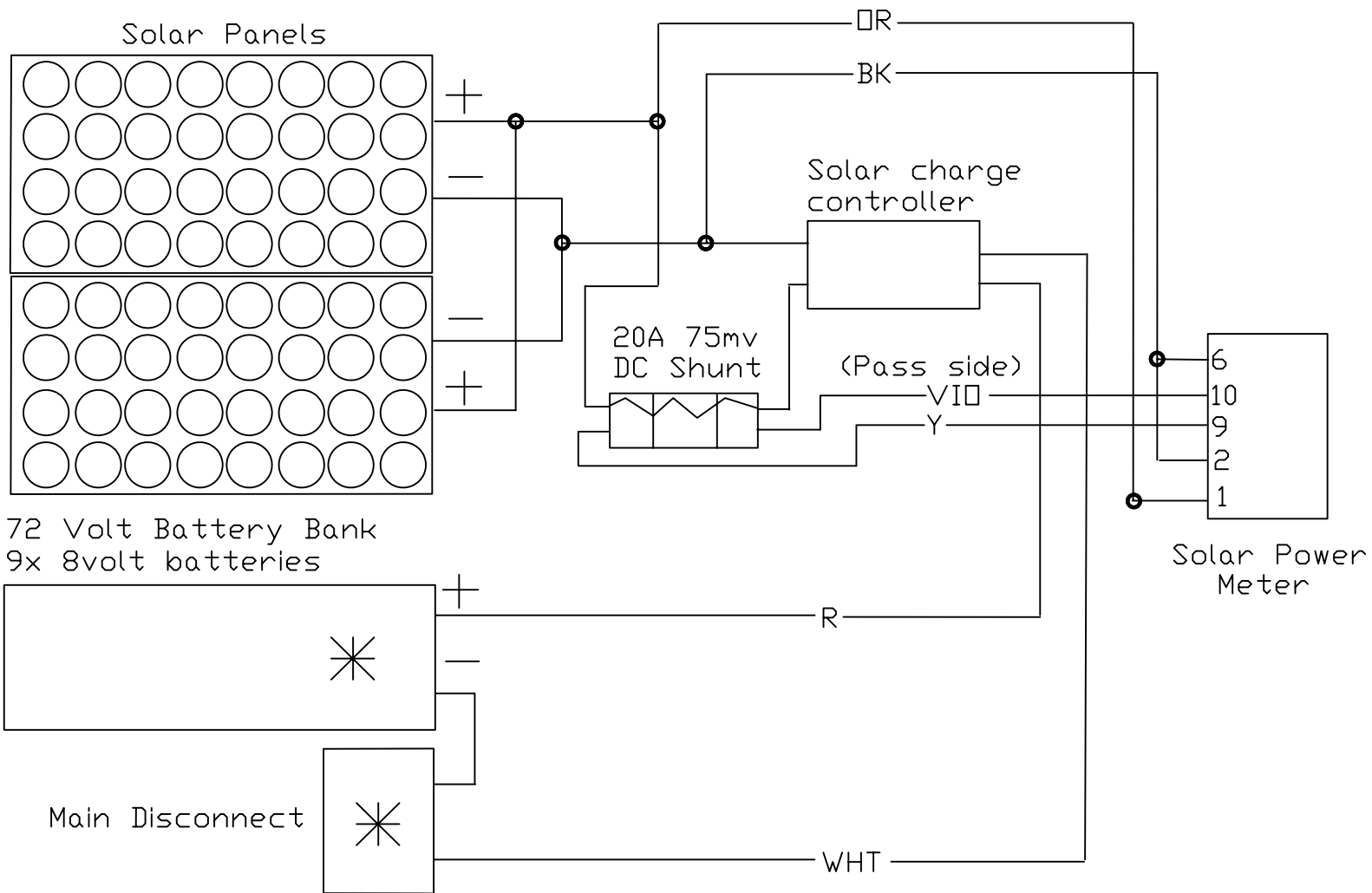


*SEE HIGH VOLTAGE WIRING DIAGRAM

AIR CONDITIONER WIRING DIAGRAM



SOLAR PANEL WIRING DIAGRAM



*SEE HIGH VOLTAGE WIRING DIAGRAM