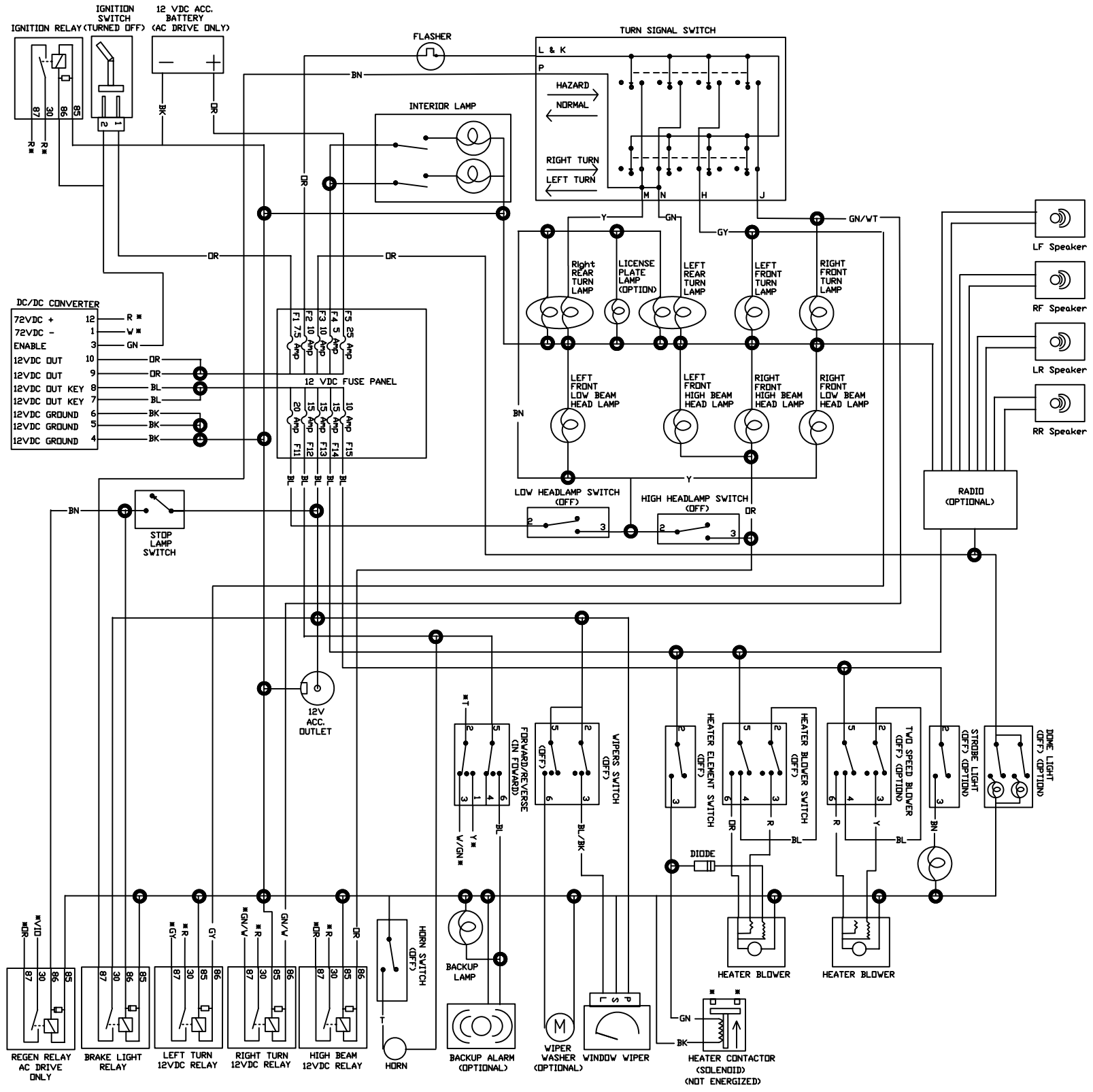
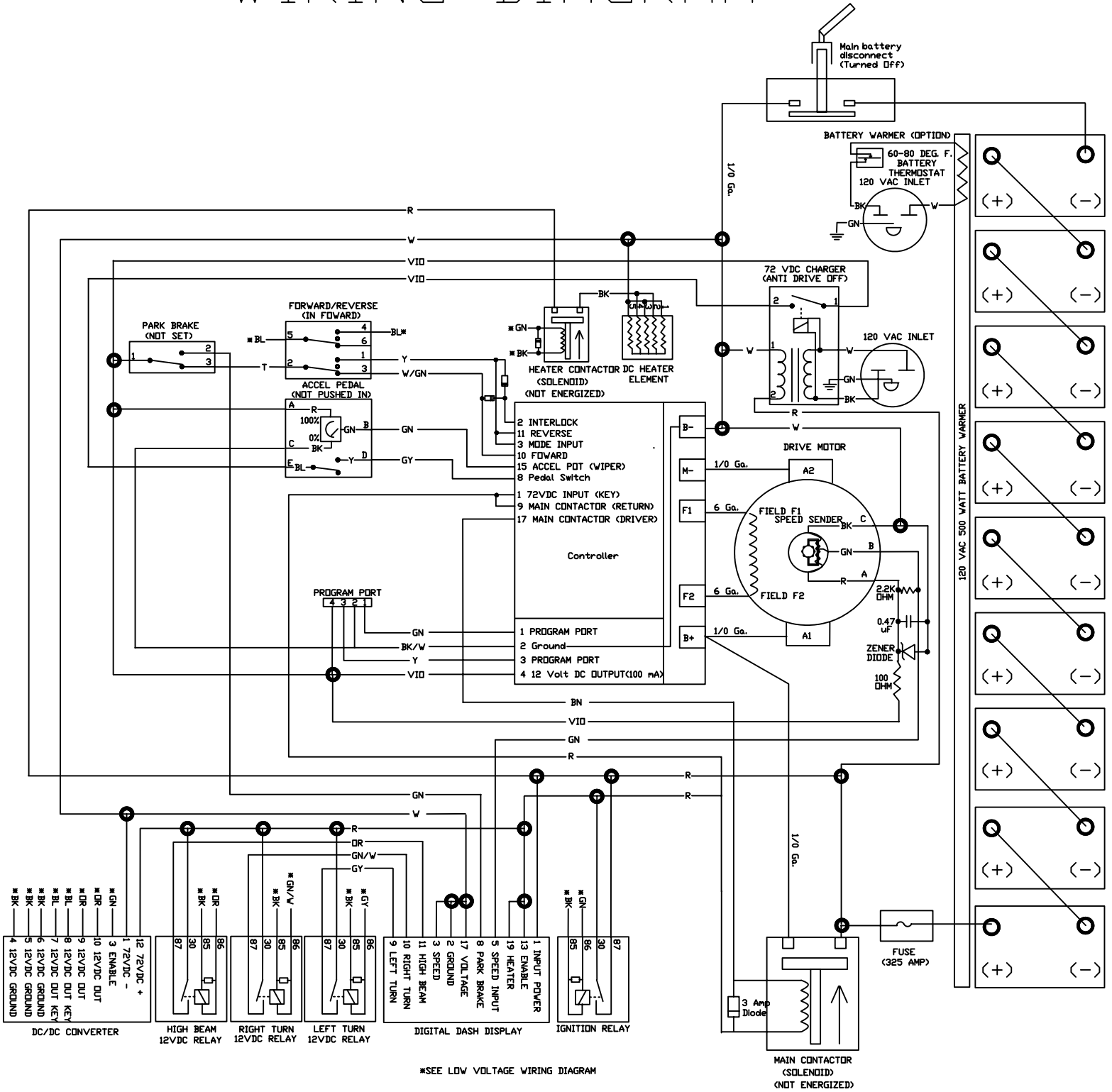


# LOW VOLTAGE WIRING DIAGRAM



SEE HIGH VOLTAGE WIRING DIAGRAM

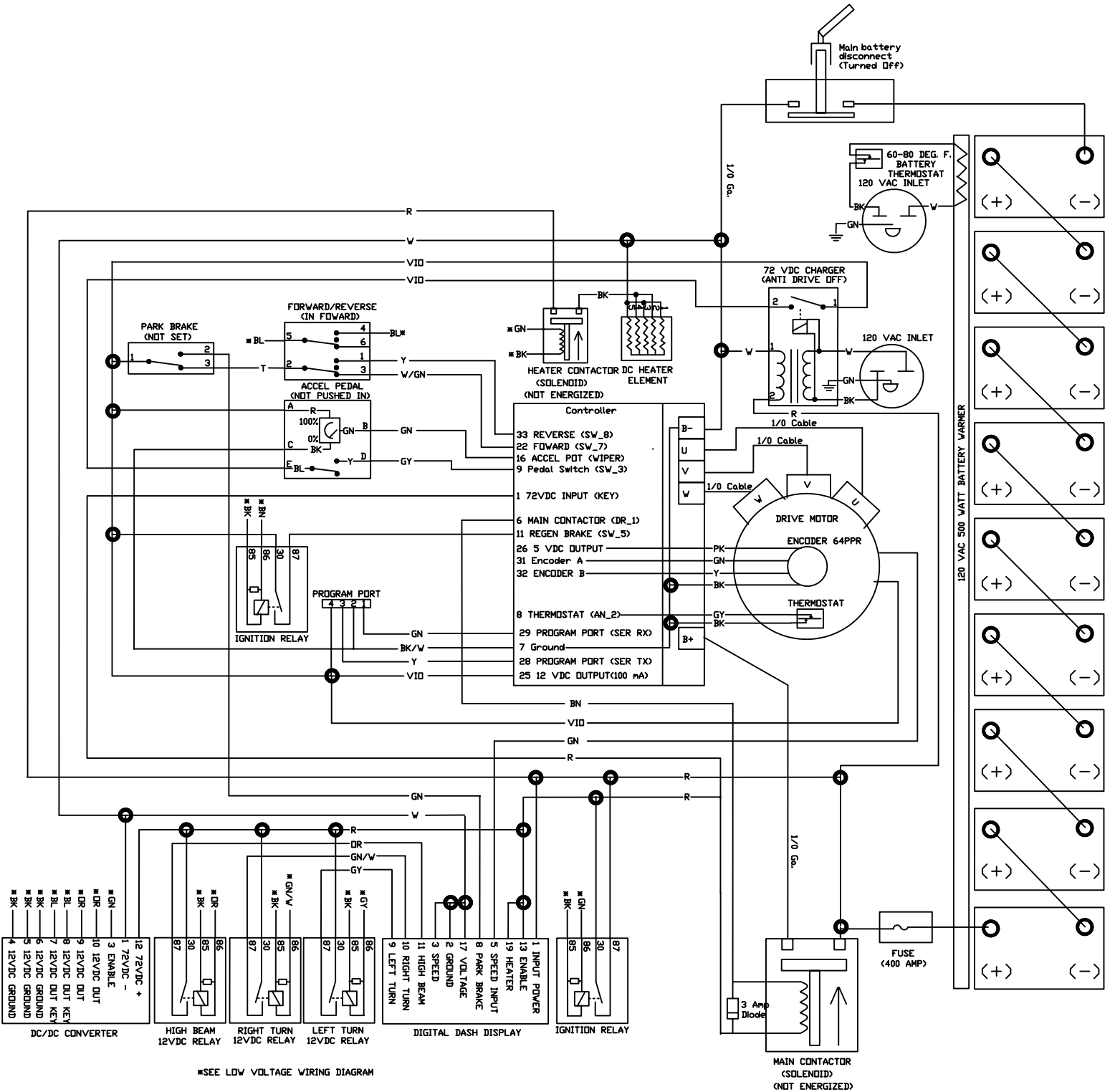
# DC DRIVE HIGH VOLTAGE WIRING DIAGRAM



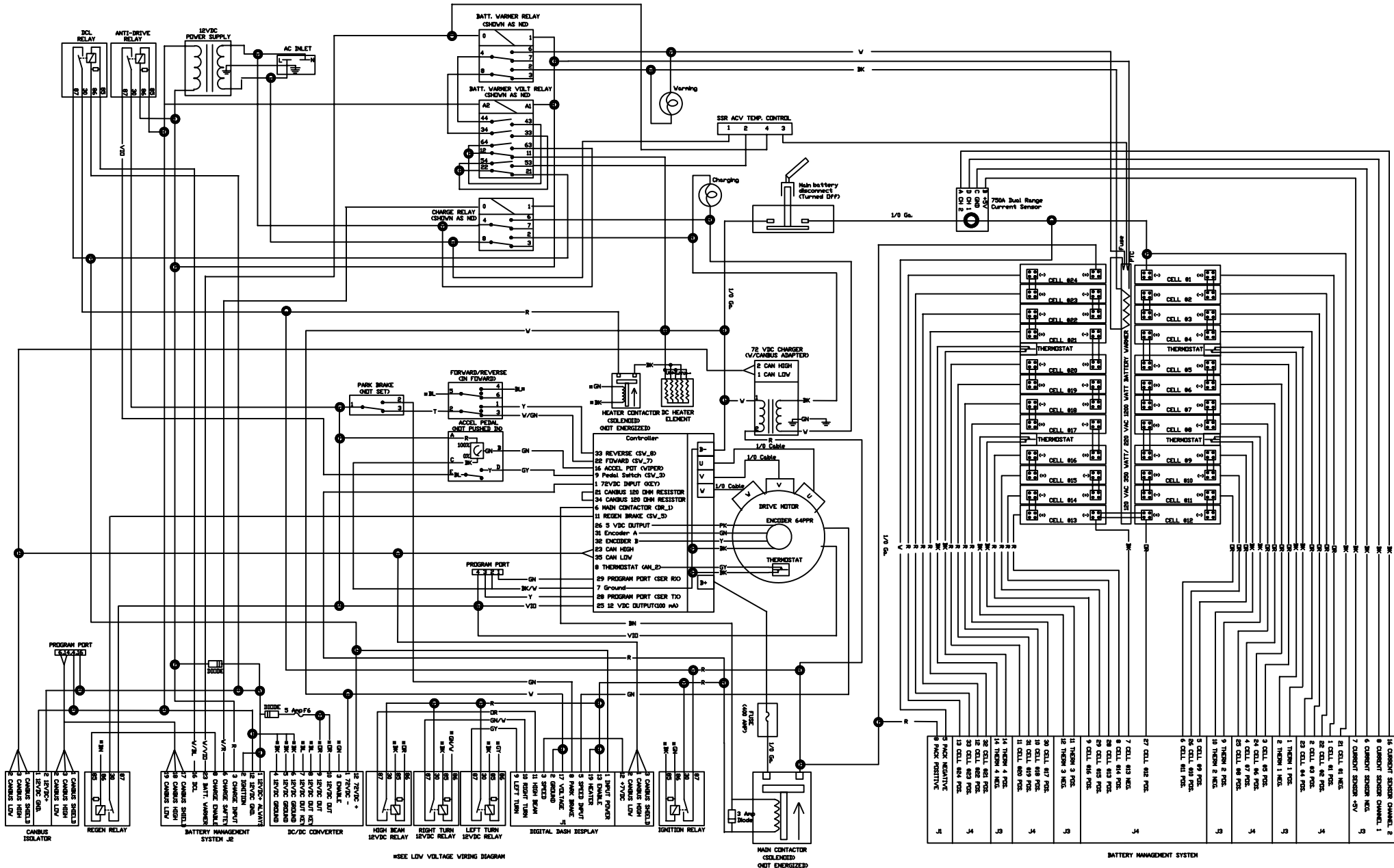
- |                 |                       |                        |                       |                      |                |
|-----------------|-----------------------|------------------------|-----------------------|----------------------|----------------|
| DC/DC CONVERTER | HIGH BEAM 12VDC RELAY | RIGHT TURN 12VDC RELAY | LEFT TURN 12VDC RELAY | DIGITAL DASH DISPLAY | IGNITION RELAY |
| 1 72VDC +       | 86                    | 86                     | 86                    | 1 INPUT POWER        | 87             |
| 3 ENABLE        | 85                    | 85                     | 85                    | 13 HEATER            | 86             |
| 9 12VDC OUT     | 30                    | 30                     | 30                    | 5 SPEED INPUT        | 85             |
| 10 12VDC OUT    | 87                    | 87                     | 87                    | 8 PARK BRAKE         | 87             |
| 12 72VDC -      |                       |                        |                       | 17 VOLTAGE           |                |
|                 |                       |                        |                       | 2 GROUND             |                |
|                 |                       |                        |                       | 3 SPEED              |                |
|                 |                       |                        |                       | 11 HIGH BEAM         |                |
|                 |                       |                        |                       | 10 RIGHT TURN        |                |
|                 |                       |                        |                       | 9 LEFT TURN          |                |
|                 |                       |                        |                       |                      |                |

MAIN CONTACTOR (SOLENOID) (NOT ENERGIZED)

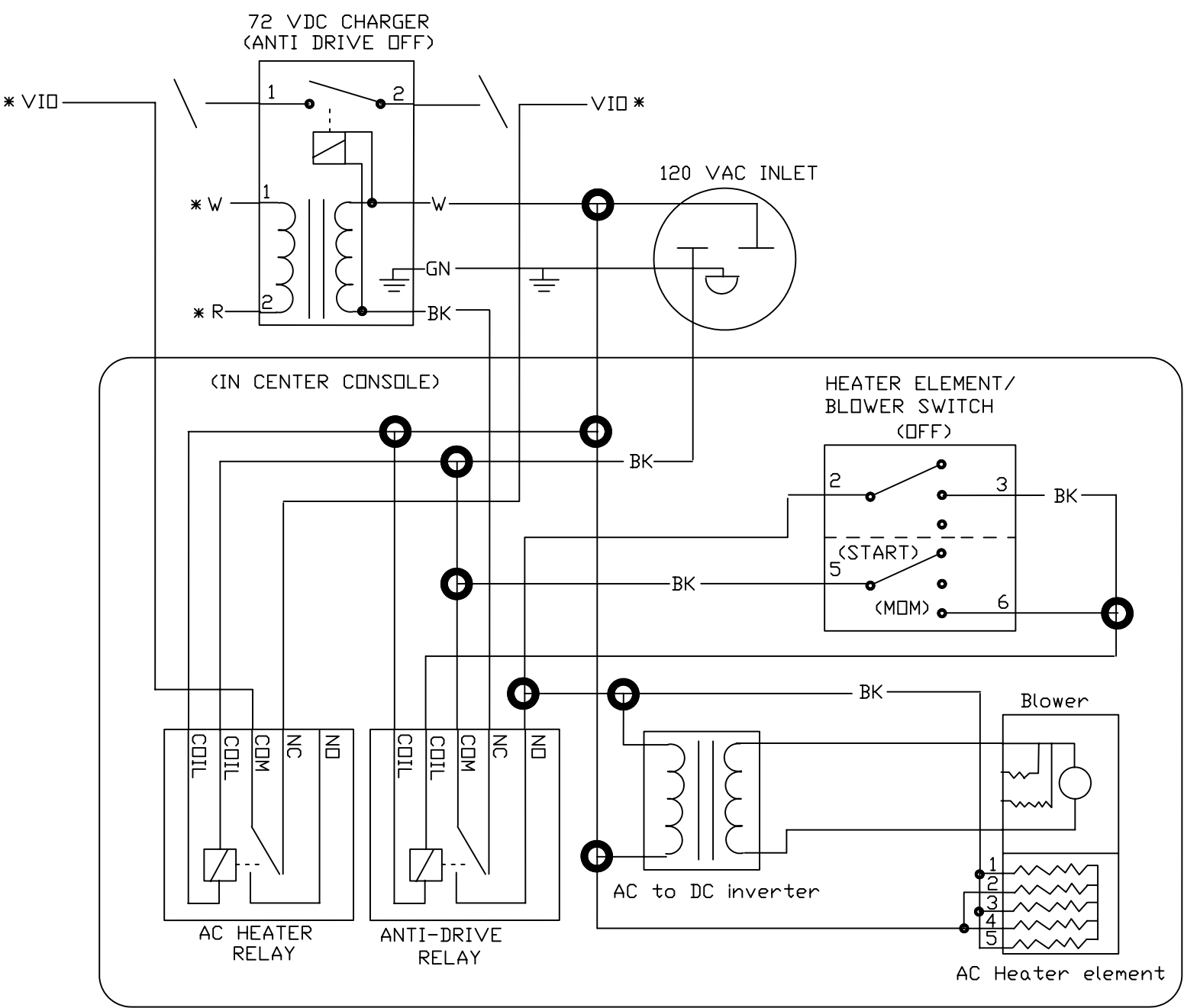
# AC DRIVE HIGH VOLTAGE WIRING DIAGRAM



# AC DRIVE LITHIUM BATTERIES 100 AMP HOUR REV.E

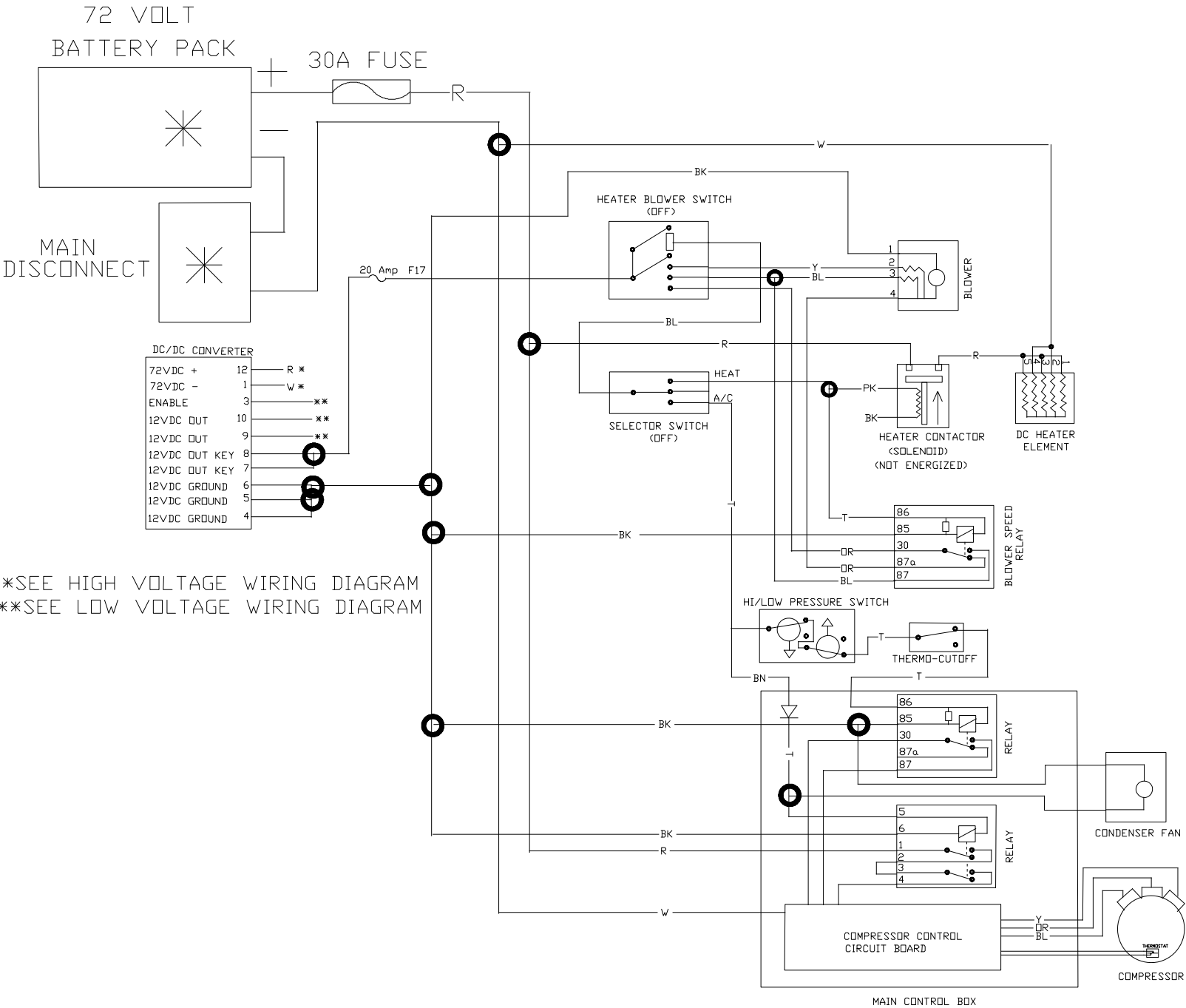


# AC CAB HEATER WIRING DIAGRAM

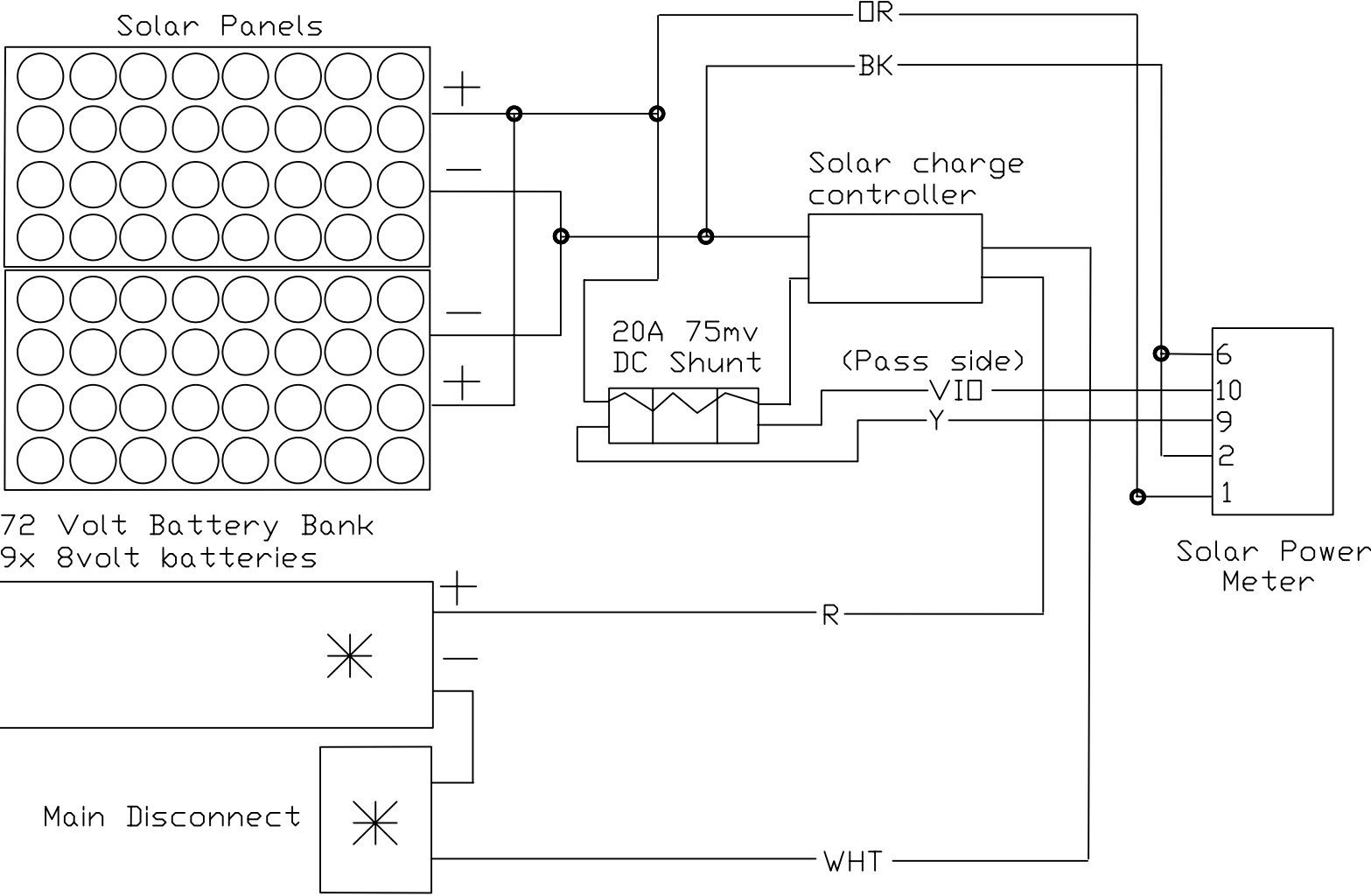


\*SEE HIGH VOLTAGE WIRING DIAGRAM

# AIR CONDITIONER WIRING DIAGRAM



# SOLAR PANEL WIRING DIAGRAM



\*SEE HIGH VOLTAGE WIRING DIAGRAM