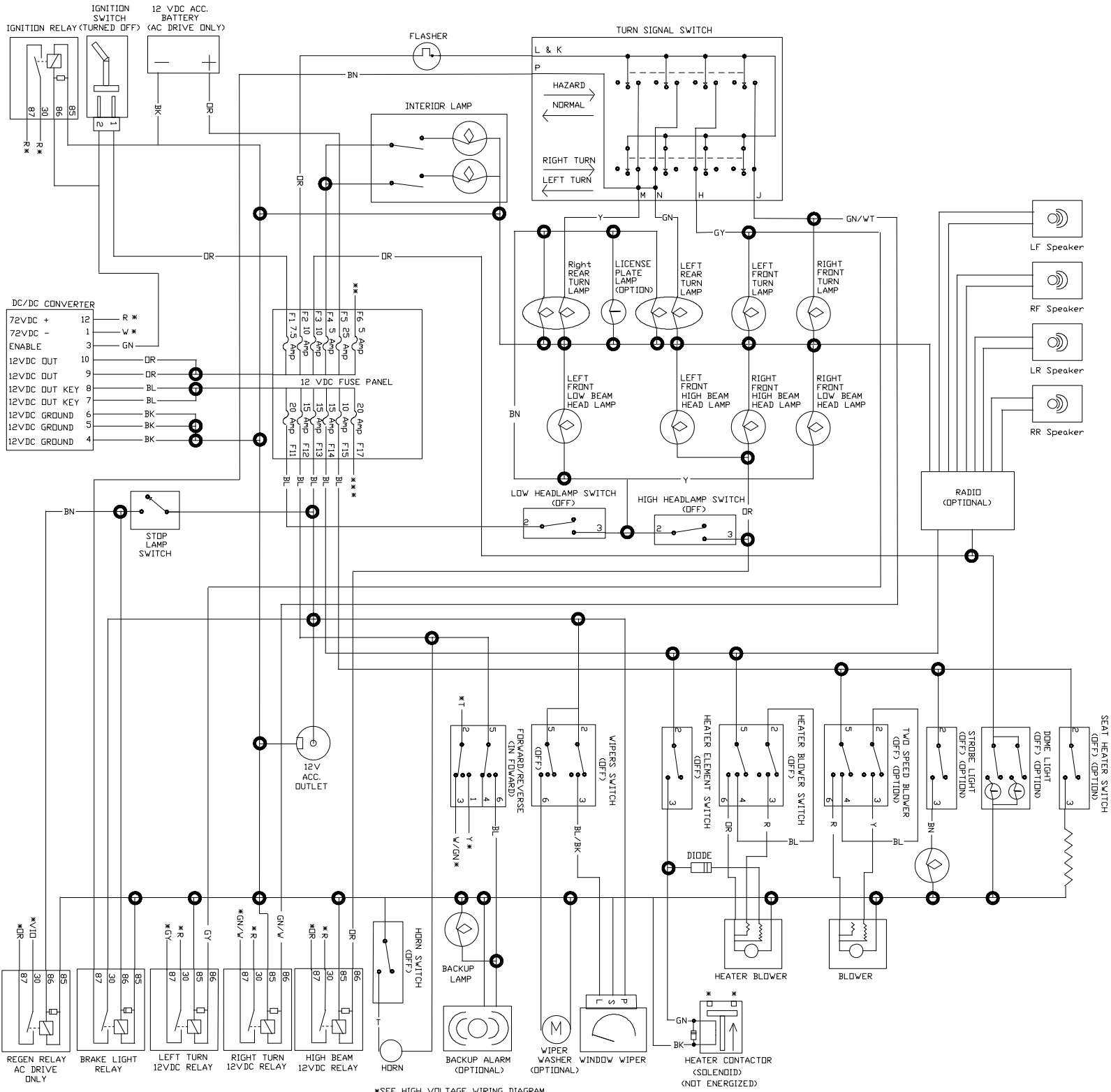
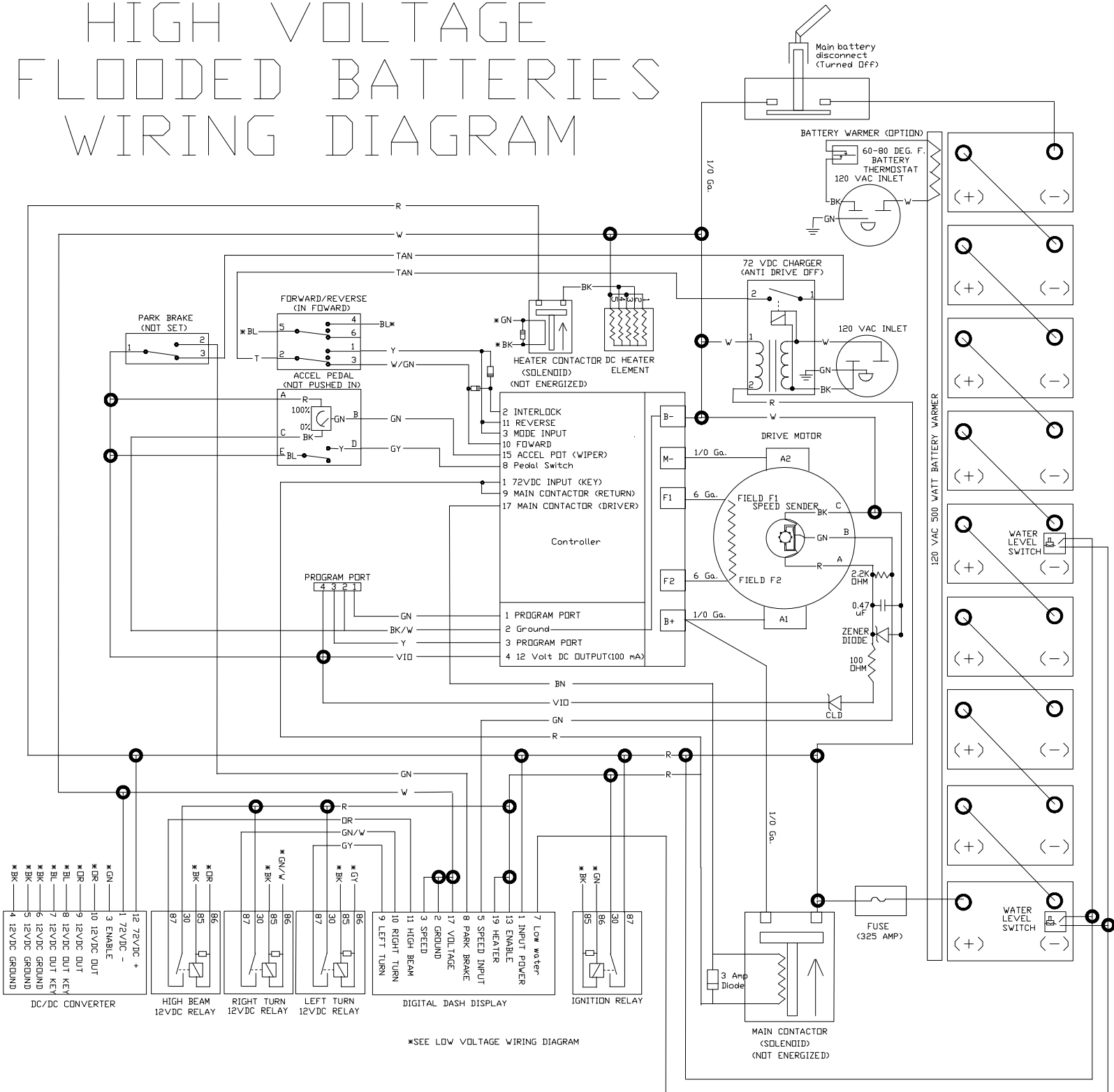


LOW VOLTAGE WIRING DIAGRAM

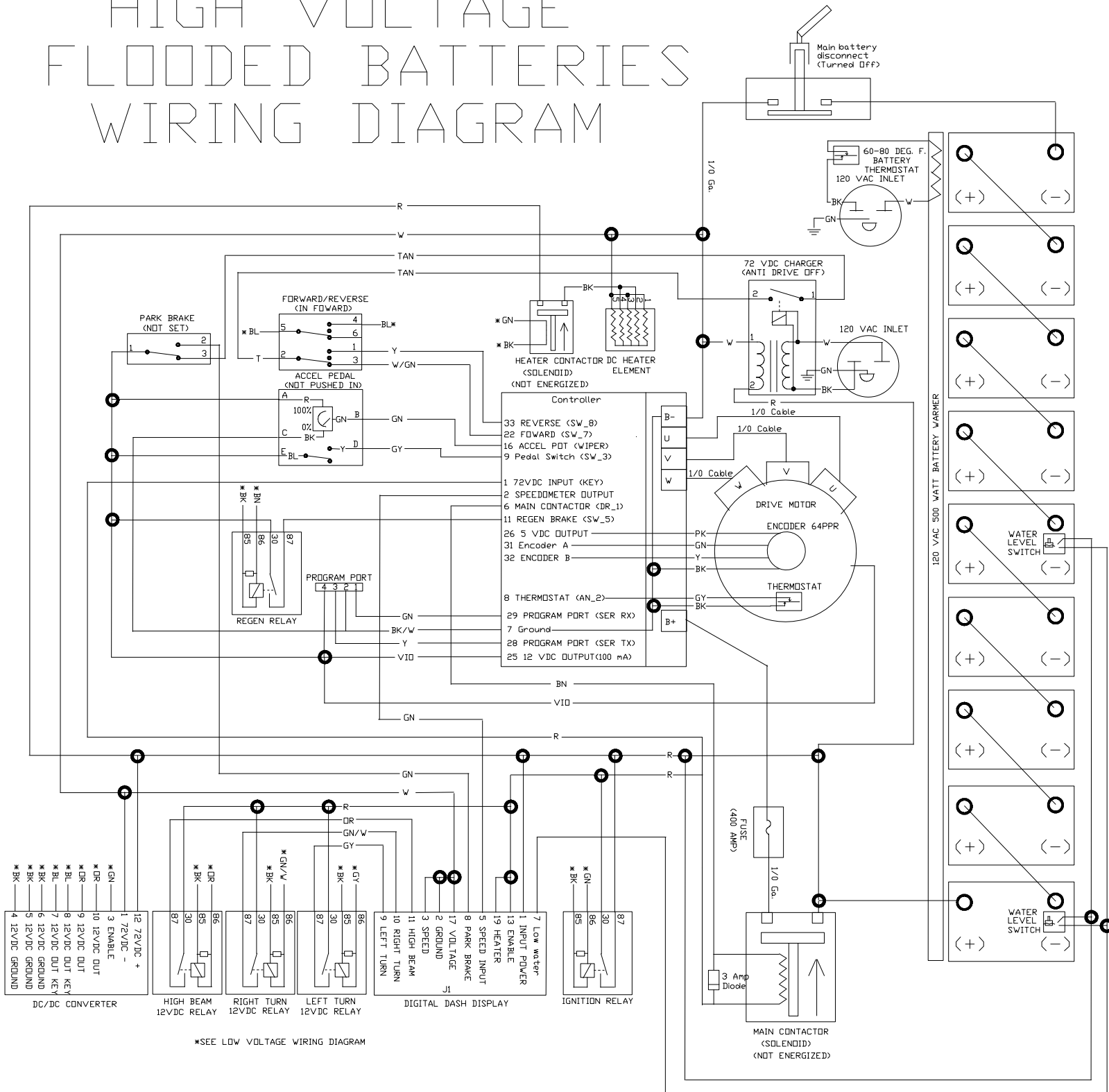


*SEE HIGH VOLTAGE WIRING DIAGRAM
 **SEE LITHIUM ION WIRING DIAGRAM
 ***SEE AIR CONDITIONER WIRING DIAGRAM

DC DRIVE HIGH VOLTAGE FLOODED BATTERIES WIRING DIAGRAM

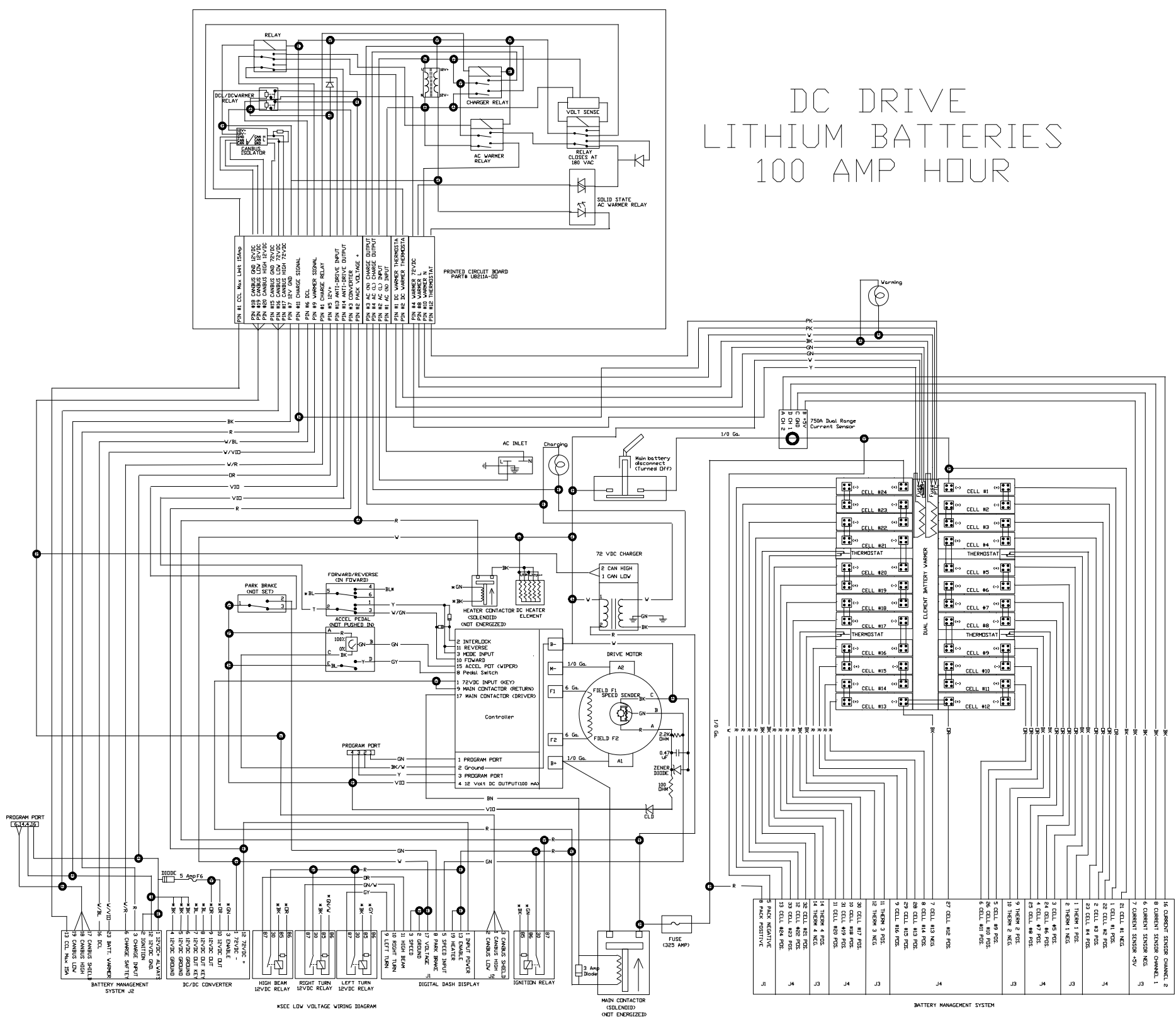


AC DRIVE HIGH VOLTAGE FLOODED BATTERIES WIRING DIAGRAM

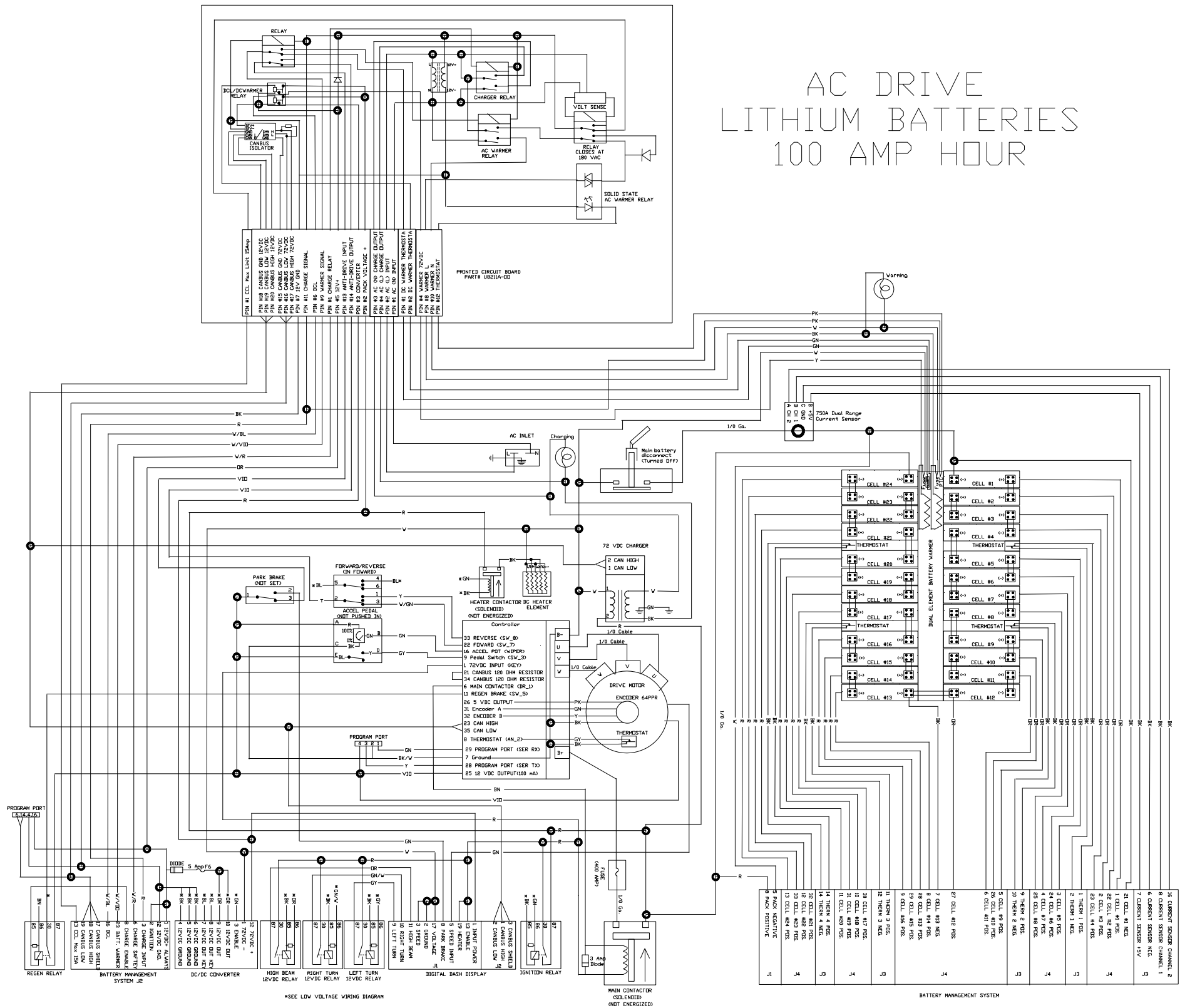


*SEE LOW VOLTAGE WIRING DIAGRAM

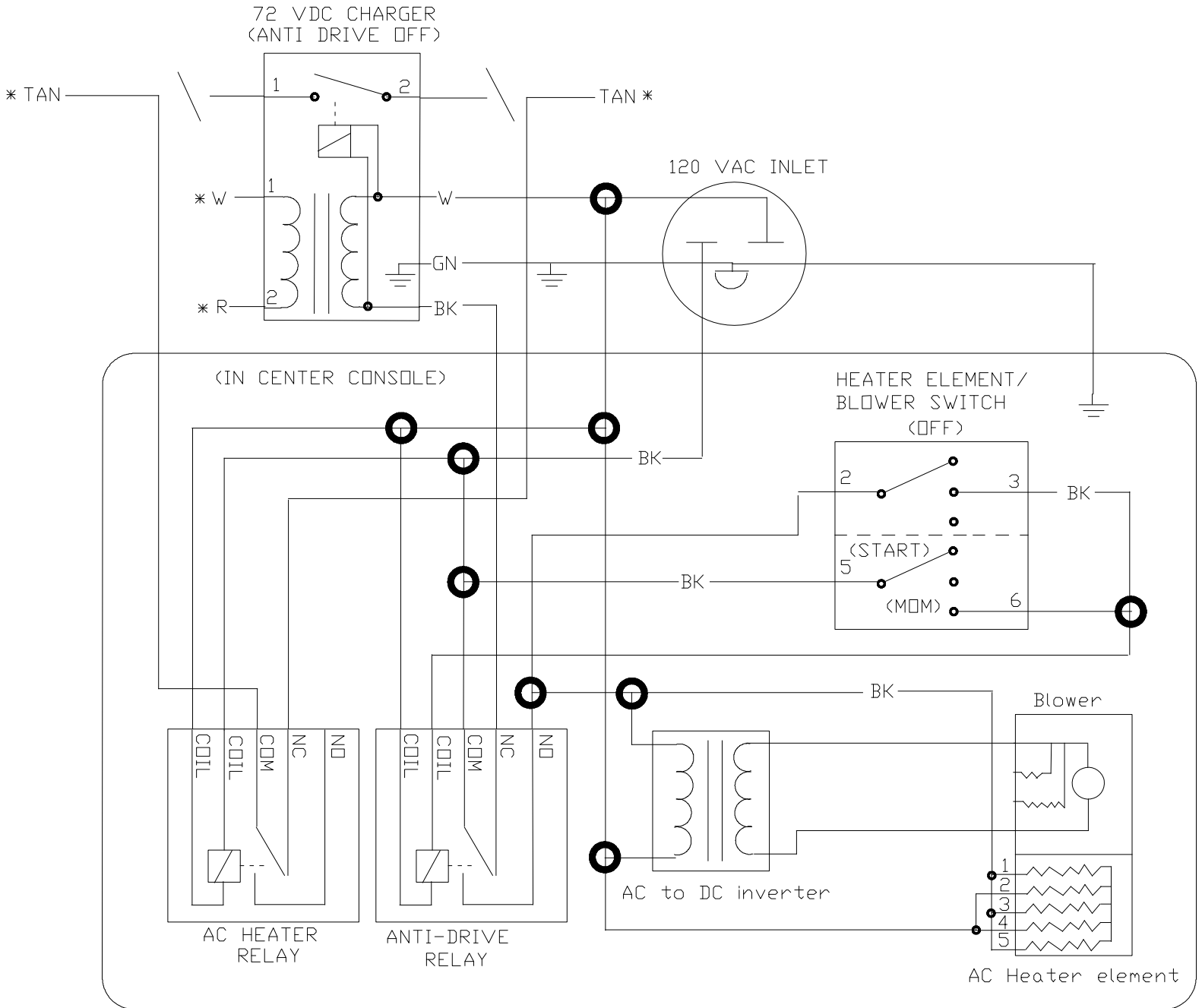
DC DRIVE LITHIUM BATTERIES 100 AMP HOUR



AC DRIVE LITHIUM BATTERIES 100 AMP HOUR



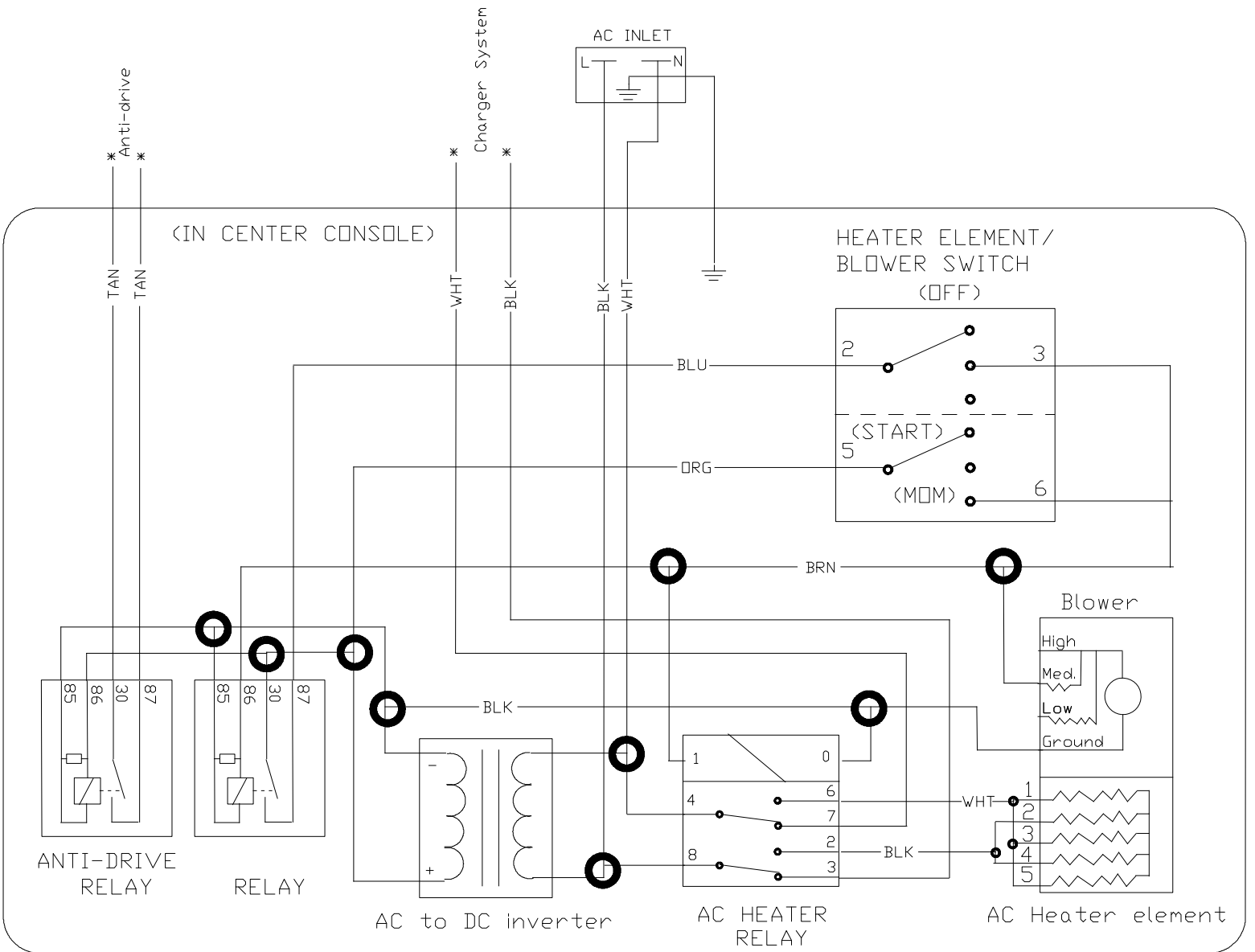
AC CAB HEATER WIRING DIAGRAM 120VAC ONLY



*SEE HIGH VOLTAGE WIRING DIAGRAM

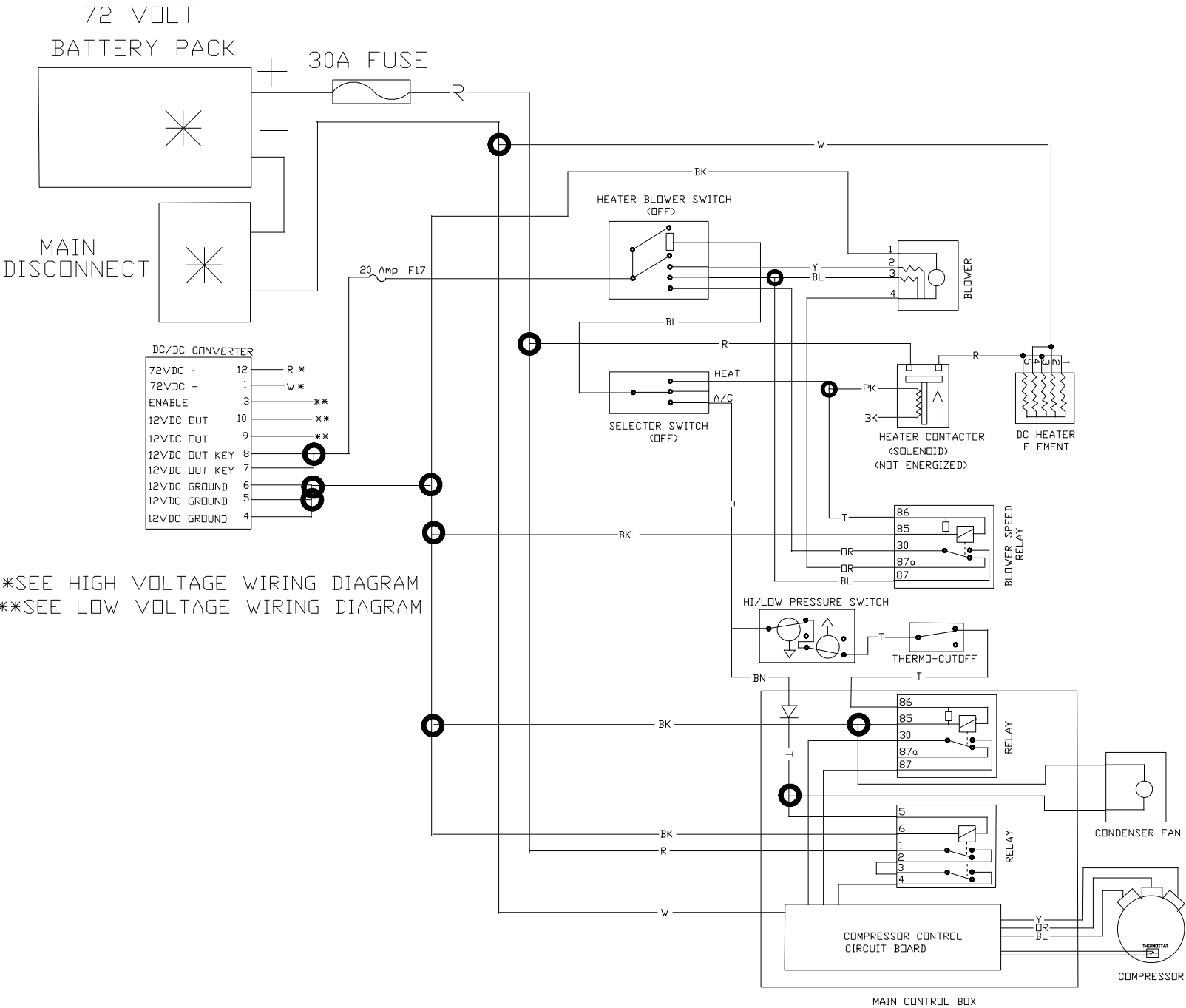
AC/DC CAB HEATER

120VAC/240VAC

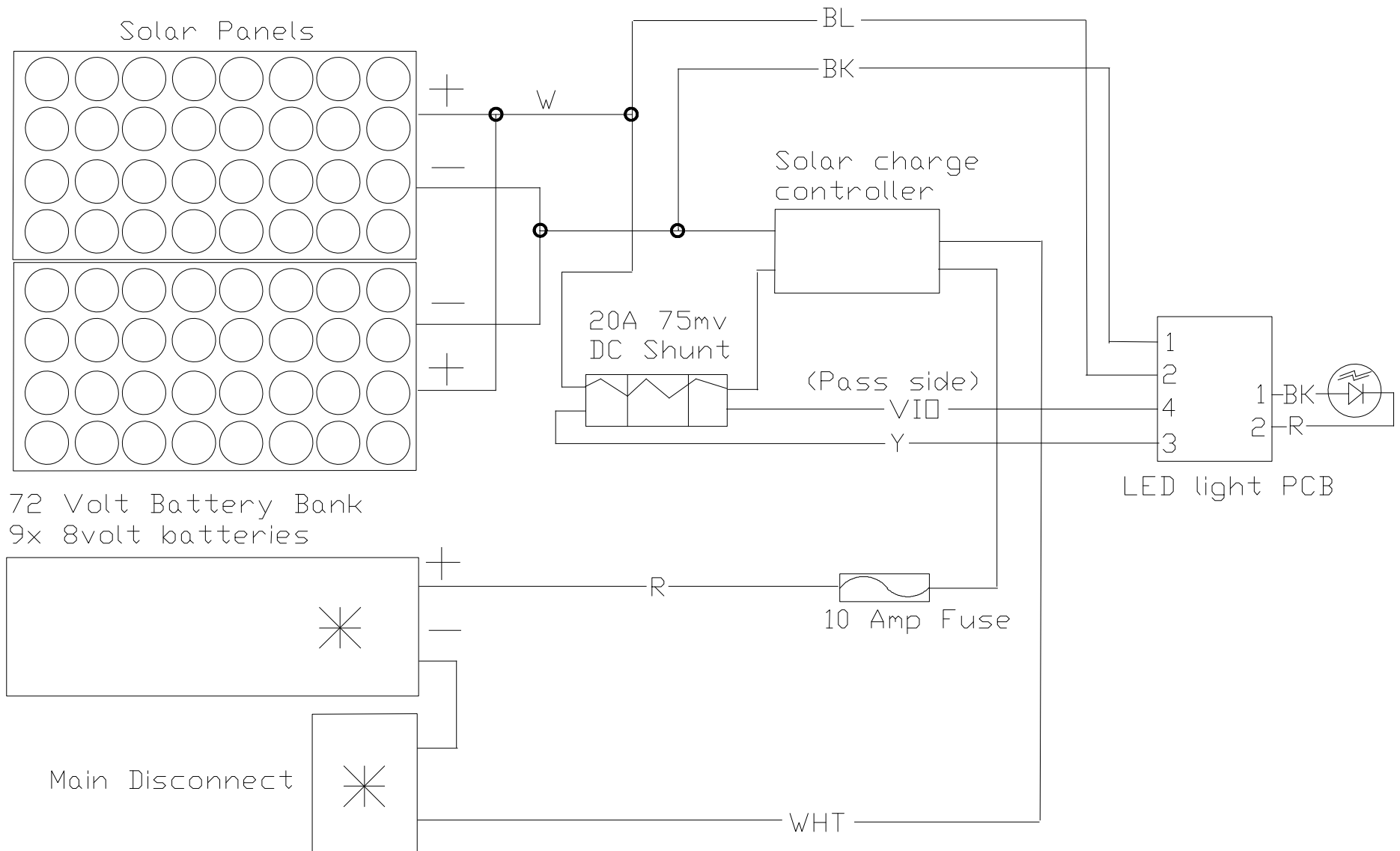


*SEE HIGH VOLTAGE WIRING DIAGRAM

AIR CONDITIONER WIRING DIAGRAM



SOLAR PANEL FLOODED BATTERIES WIRING DIAGRAM



*SEE HIGH VOLTAGE WIRING DIAGRAM