

ESTHER WILLIAMS POOLS
THE CAROUSEL 52" HIGH EXTRUDED WALL
ROUND ALUMINUM POOLS with RESIN COPING COVERS

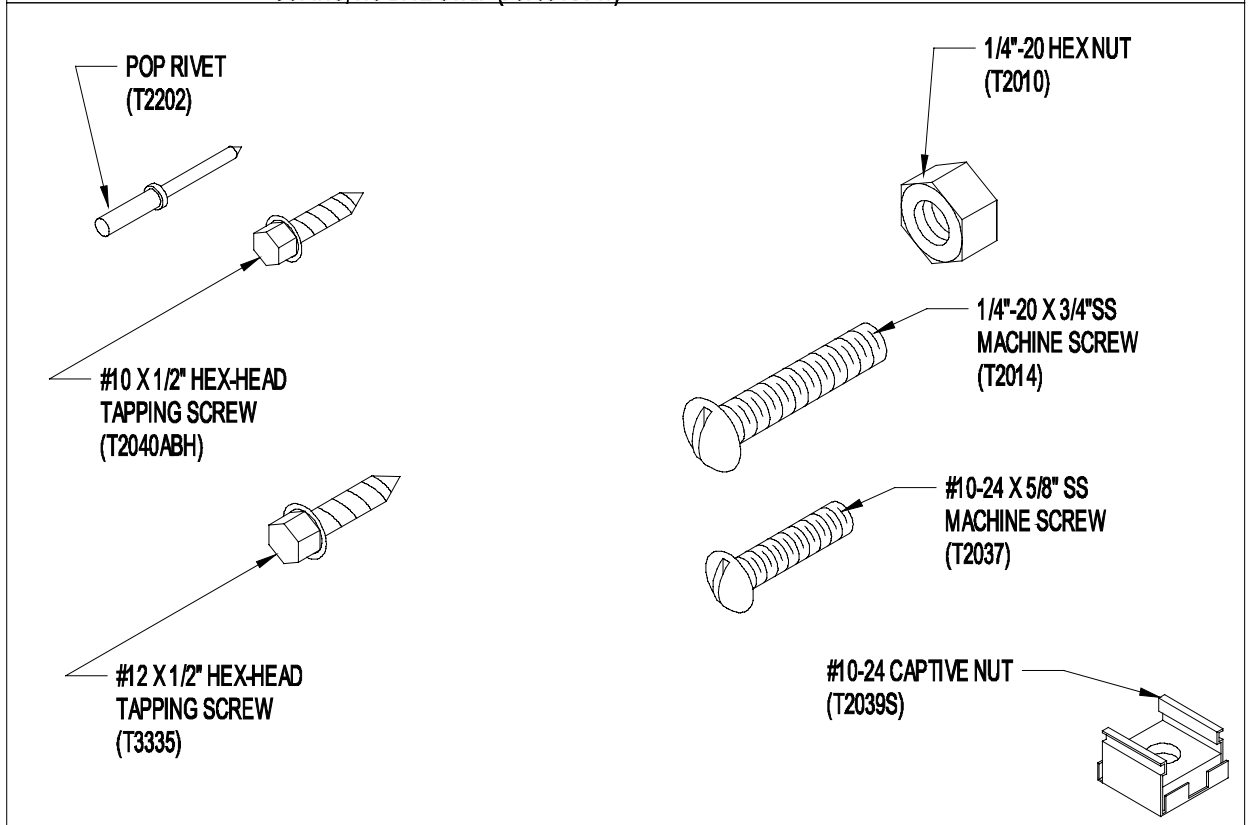
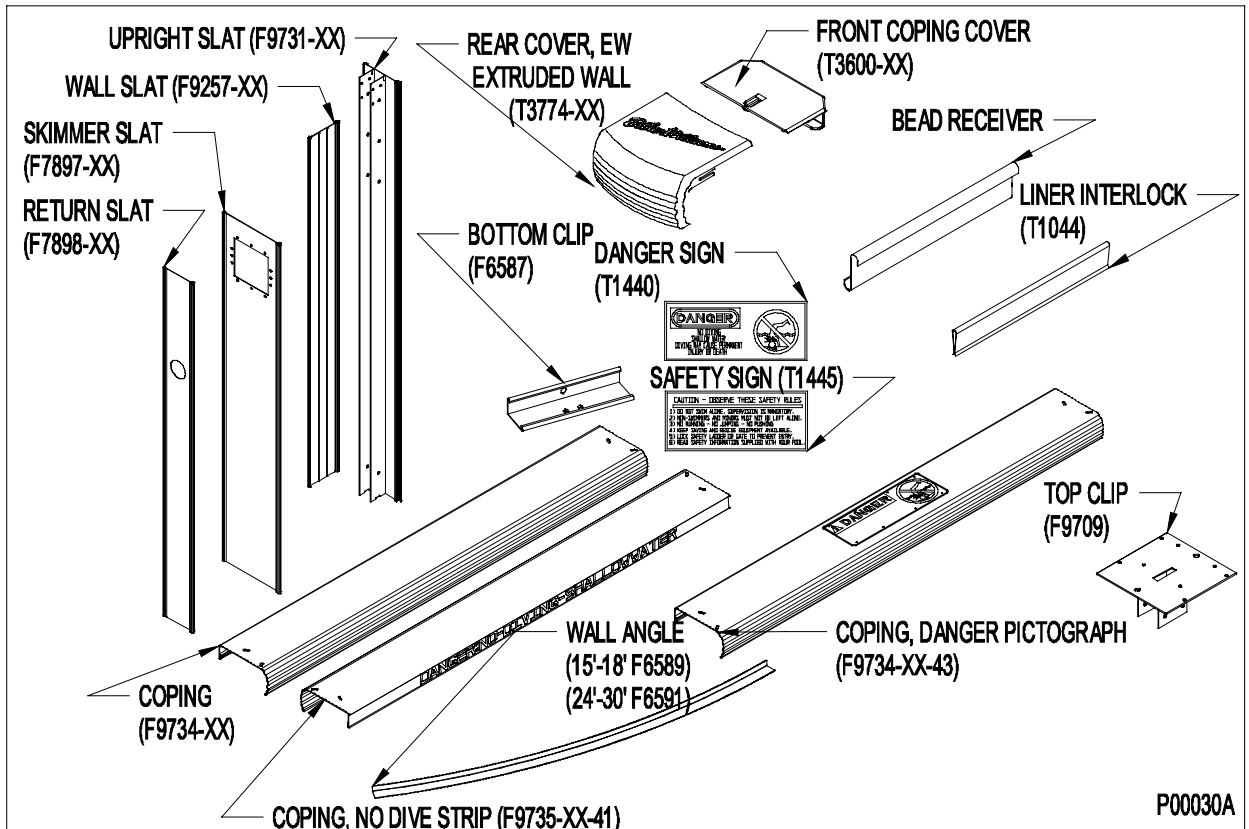
T3668-CA5-50

BILL OF MATERIALS

PARTS IDENTIFICATION

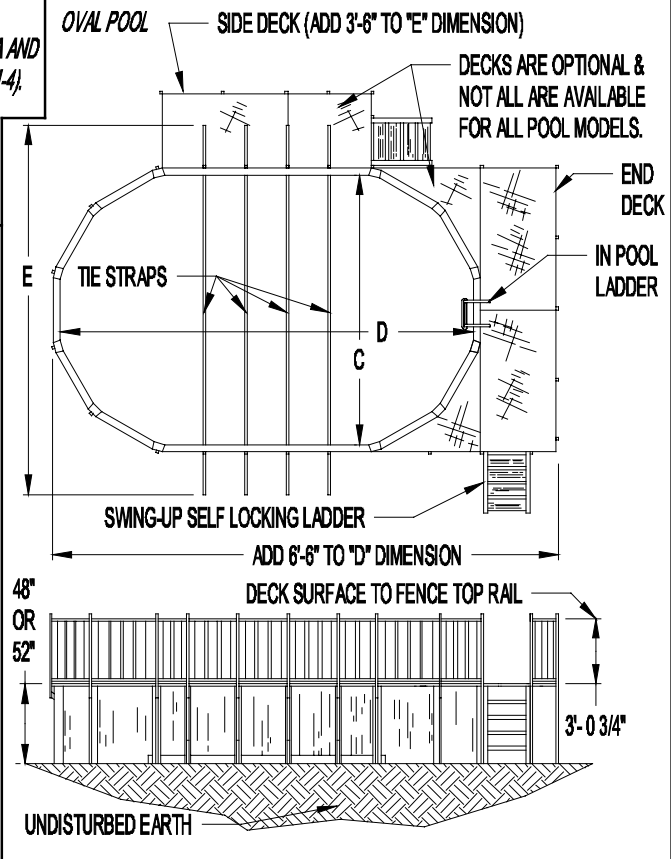
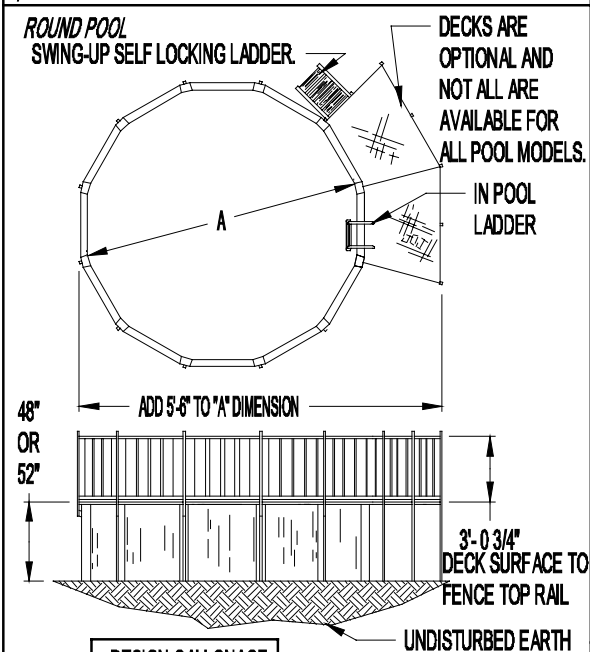
BILL OF MATERIALS FOR ROUND POOLS

<u>DESCRIPTION</u>	<u>PART NO.</u>	<u>POOL SIZE</u>				
		<u>15'</u>	<u>18'</u>	<u>24'</u>	<u>27'</u>	<u>30'</u>
SLAT BOX OF 64	X8174-XX	0	2	1	3	1
SLAT BOX OF 50	X8175-XX	2	0	2	0	3
WALL SLAT (IN ADD BOX)	F9257-XX	7	1	9	3	3
SKIMMER SLAT (IN ADD BOX)	F7897-XX	1	1	1	1	1
RETURN SLAT (IN ADD BOX)	F7898-XX	1	1	1	1	1
UPRIGHT SLAT	F9731-XX	10	12	16	18	20
TOP CLIP	F9709-00	10	12	16	18	20
BOTTOM CLIP	F6587-00	10	12	16	18	20
INTERLOCK LINER	T1044	1	1	1	1	1
WALL ANGLE, 15'-18'	F6589-XX	10	12	0	0	0
WALL ANGLE, 24'-30'	F6591-XX	0	0	16	18	20
BEAD RECEIVER, 15'-18'	F8865-01	10	12	0	0	0
BEAD RECEIVER, 24' - 30'	F8866-XX	0	0	16	18	20
VACUUM HEAD W/BUMPER	T1061	1	1	1	1	1
BOLT BAG 15' - 18' (BAG 1 OF 2)	T3678A	1	1	0	0	0
BOLT BAG 15' - 18' (BAG 2 OF 2)	T3678B	1	1	0	0	0
BOLT BAG 24' - 30' (BAG 1 OF 2)	T3679A	0	0	1	1	1
BOLT BAG 24' - 30' (BAG 2 OF 2)	T3728	0	0	1	1	1
MANUAL/BOM PACKET	T2204-CA5-XX	1	1	1	1	1
SIGN PACKAGE	T2204	1	1	1	1	1
LINER 15'	L1500-52YZZ	1	0	0	0	0
LINER 18'	L1800-52YZZ	0	1	0	0	0
LINER 24'	L2400-52YZZ	0	0	1	0	0
LINER 27'	L2700-52YZZ	0	0	0	1	0
LINER 30'	L3000-52YZZ	0	0	0	0	1
<u>PACKAGES WITH COPING (POOLS NOT SUPPLIED WITH AN OPTIONAL WALKDECK PACKAGE)</u>						
COPING COVER, REAR	T3774-XX	10	12	16	18	20
COPING COVER, FRONT	T3600-XX	10	12	16	18	20
COPING, 15'-30'	F9734-XX	7	9	13	15	17
COPING, 15'-30' DANGER PICTOGRAPH	F9734-XX-43	1	1	1	1	1
COPING, 15'-30' NO DIVE STRIP	F9735-XX-41	2	2	2	2	2

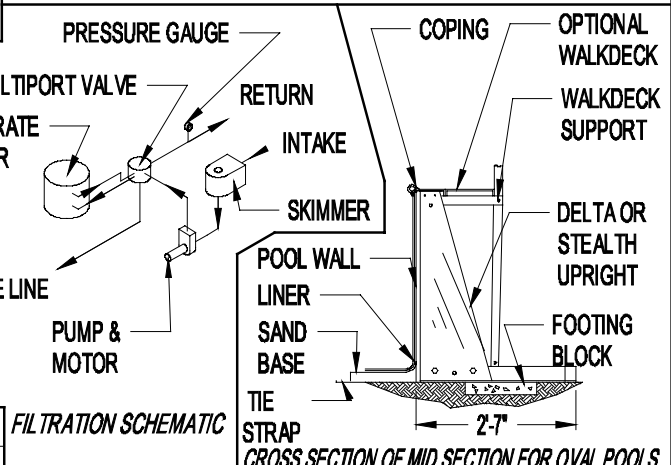


NOTE:

- 1) THIS IS A NON-DIVING POOL AS DEFINED IN THE CURRENT "NATIONAL SPA AND POOL INSTITUTE" STANDARD FOR ABOVE GROUND SWIMMING POOLS. (NSPI-4).
- 2) DECKS ARE DESIGNED TO WITHSTAND A LIVE LOAD OF 100 LB/SF.
- 3) FENCE WILL WITHSTAND A 200 LB. LOAD CONFORMING TO BOCA 421.9.2
- 4) ALL OPENINGS IN THE FENCE ARE LESS THEN 4"
- 5) PRODUCT MEETS OR EXCEEDS ALL REQUIREMENTS OF BOCA SECT. 421



ROUND	DESIGN GALLONAGE		A	NOT ALL POOL SIZES ARE AVAILABLE ON ALL MODELS.
	48" GAL.	52" GAL.		
10'	2,350	2,550	10'-0"	
13'	3,650	4,000	12'-6"	
15'	5,300	5,750	15'-0"	
18'	7,600	8,250	18'-0"	
21'	10,350	11,250	21'-0"	
24'	13,550	14,650	24'-0"	
24' HOP.	15,150	18,300	24'-0"	
27'	17,150	18,550	27'-0"	
27' HOP.	19,300	23,100	27'-0"	
30'	21,150	22,900	30'-0"	



OVAL SIZES	48" GAL.	52" GAL.	C	D	E
13'x19'	5,950	6,400	12'-6"	18'-6"	18'-6"
13'x22'	7,050	7,600	12'-6"	21'-6"	18'-6"
15'x24'	9,350	10,100	15'-0"	24'-0"	21'-0"
15'x30'	12,050	13,050	15'-0"	30'-0"	21'-0"
18'x33'	15,700	17,000	18'-0"	33'-0"	24'-0"
18'x45'	22,700	24,000	18'-0"	45'-0"	24'-0"
15'x24' HOPPER	10,400	11,150	15'-0"	24'-0"	21'-0"
15'x30' HOPPER	13,250	14,250	15'-0"	30'-0"	21'-0"
18'x33' HOPPER	17,200	18,500	18'-0"	33'-0"	24'-0"
18'x45' HOPPER	24,200	25,500	18'-0"	45'-0"	24'-0"

S.E. CONSULTANTS, INC.
 Scottsdale, Arizona

ESTHER WILLIAMS POOLS
 8600 RIVER ROAD
 DELAIR, NEW JERSEY 08110

CLASSIC, CAROUSEL, CARNIVAL,
 FESTIVAL, SUMMIT, MILLENNIUM,

SPEC014C | 12/7/98 | NTS | J D J