

# ESTHER WILLIAMS POOLS

## THE CLASSIC 52" ALUMINUM POOL WITH RESIN COVERS

### T3666-CL5-60

### BILL OF MATERIALS

### PARTS IDENTIFICATION

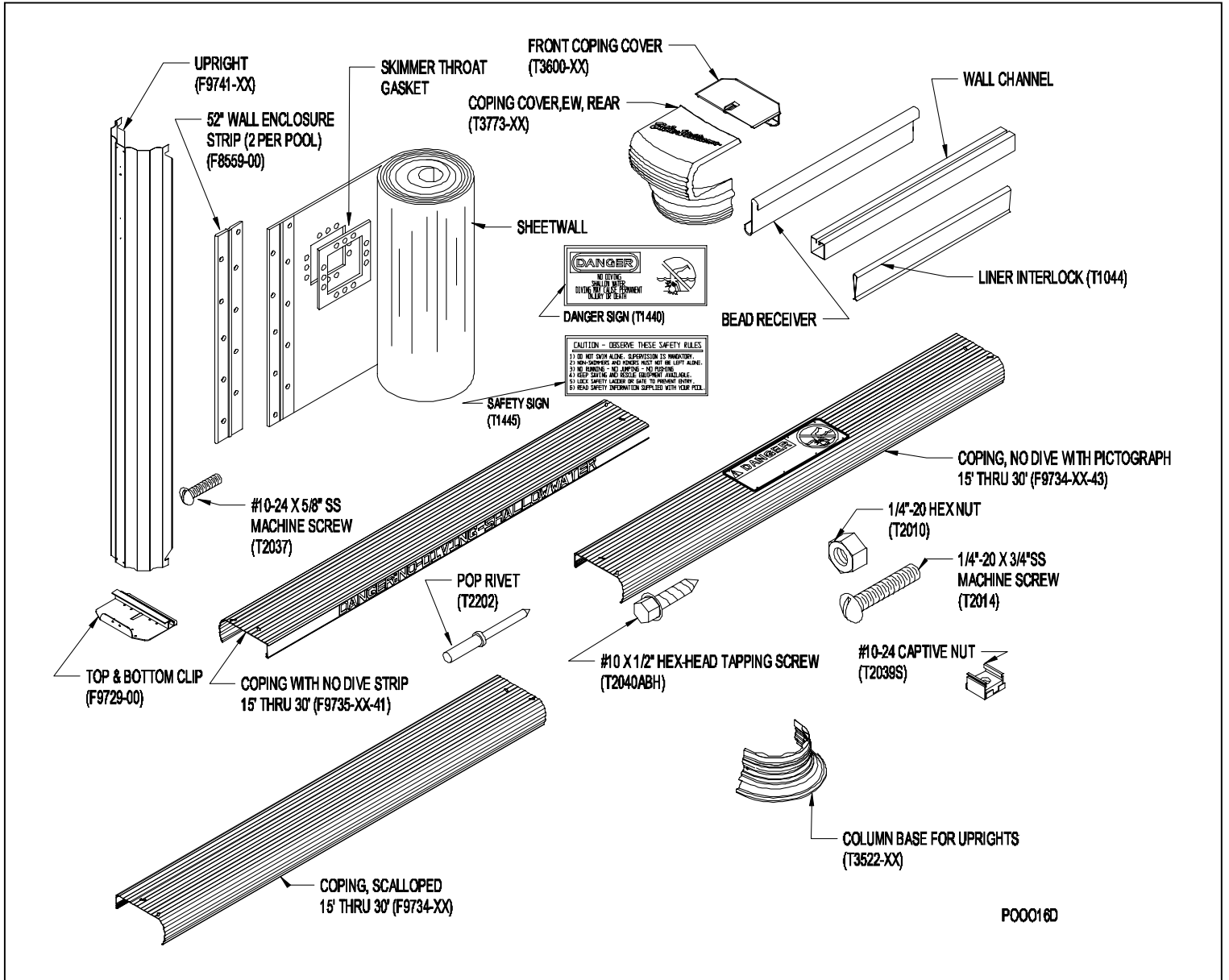
#### BILL OF MATERIALS FOR ROUND POOLS

DESCRIPTION	PART NO.	POOL SIZE					
		15'	18'	21'	24'	27'	30'
UPRIGHT, 52" FLUTED 7"	F9741-XX	10	12	14	16	18	20
COLUMN BASE FOR UPRIGHT	T3522-XX	10	12	14	16	18	20
CLIP, TOP & BOTTOM	F9729-00	20	24	28	32	36	40
INTERLOCK, LINER	T1044	1	1	1	1	1	1
SKIMMER THROAT GASKET (Standard Size)	T1037	1	1	1	1	1	1
SKIMMER THROAT GASKET (Wide mouth)	T3630-GH	1	1	1	1	1	1
BOLT BAG, WALL BOLTS	T3512-WALLBOLTS	1	1	1	1	1	1
BOLT BAG, SHEETWALL 10'-18'	T3638	1	1	0	0	0	0
BOLT BAG, SHEETWALL 21'-30'	T3639	0	0	1	1	1	1
BOLT BAG, COPING COVER PLUGS & SCREWS	T3792	1	1	1	1	1	1
BOLT BAG, COLUMN BASE FOR UPRIGHT SCREWS	T3798X	2	2	3	3	3	4
ALUM. WALL CHANNEL, 15'	T1657	10	0	0	0	0	0
ALUM. WALL CHANNEL, 18'	T1658	0	12	0	0	0	0
ALUM. WALL CHANNEL, 21'	T1679	0	0	14	0	0	0
ALUM. WALL CHANNEL, 24'	T1659	0	0	0	16	0	0
ALUM. WALL CHANNEL, 27'	T1660	0	0	0	0	18	0
ALUM. WALL CHANNEL, 30'	T3620	0	0	0	0	0	20
BEAD RECEIVER, 15'	F9279	10	0	0	0	0	0
BEAD RECEIVER, 18'	F9280	0	12	0	0	0	0
BEAD RECEIVER, 21'	F9281	0	0	14	0	0	0
BEAD RECEIVER, 24'/27'/30'	F9282	0	0	0	16	18	20
MANUAL/BOM PACKET	T2204-CL5-XX	1	1	1	1	1	1
SIGN PACKAGE	T2204	1	1	1	1	1	1
<b>PACKAGES WITH COPING (FOR POOLS NOT SUPPLIED WITH AN OPTIONAL WALKDECK PACKAGE)</b>							
COPING COVER, FRONT	T3600-XX	10	12	14	16	18	20
COPING COVER, REAR, ESTHER WILLIAMS	T3773-XX	10	12	14	16	18	20
COPING	F9734-XX	7	9	11	13	15	17
COPING, W / NO DIVE PICTOGRAPH	F9734-XX-43	1	1	1	1	1	1
COPING, W / NO DIVING STRIP	F9735-XX-41	2	2	2	2	2	2

#### WALLS FOR ROUND POOLS

	T3512-WALLBOLTS		1 PER WALL
52" WALL	T2737-XX-Y or T2737W-XX-Y	15' x 52"	QTY. 1
52" WALL	T2738-XX-Y or T2738W-XX-Y	18' x 52"	QTY. 1
52" WALL	T2739-XX-Y or T2739W-XX-Y	21' x 52"	QTY. 1
52" WALL	T2740-XX-Y or T2740W-XX-Y	24' x 52"	QTY. 1
52" WALL	T2741-XX-Y or T2741W-XX-Y	27' x 52"	QTY. 1
52" WALL	T3362-XX-Y or T3362W-XX-Y	30' x 52"	QTY. 1

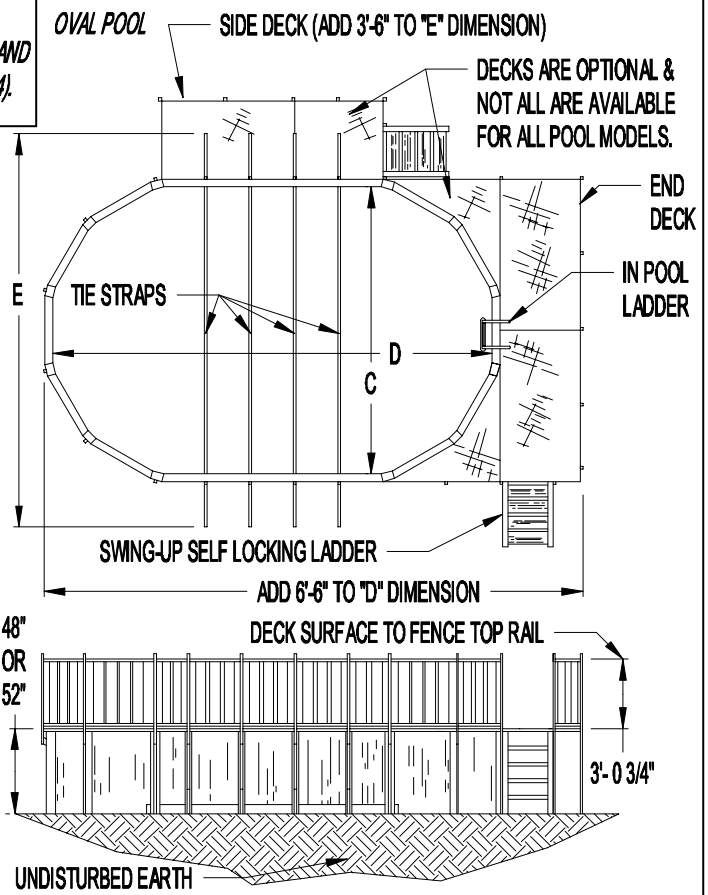
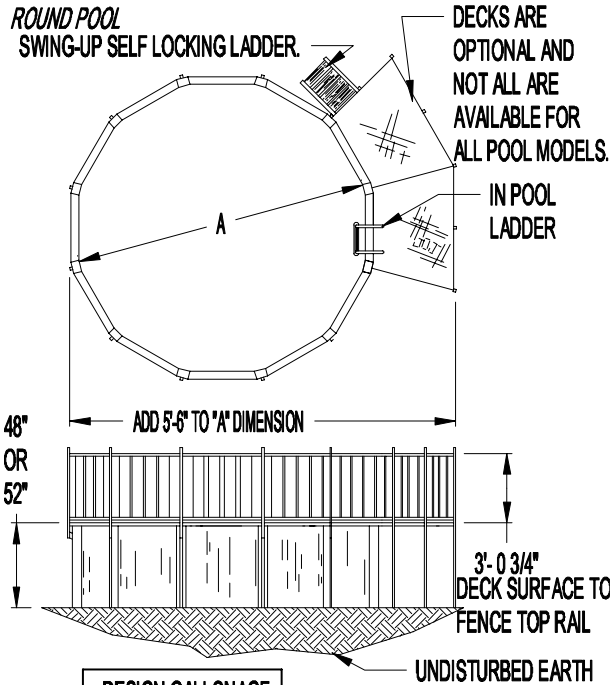
NOTE: SPECIFY COLOR WHEN ORDERING ON ALL PARTS.



P000160

**NOTE:**

- 1) THIS IS A NON-DIVING POOL AS DEFINED IN THE CURRENT "NATIONAL SPA AND POOL INSTITUTE" STANDARD FOR ABOVE GROUND SWIMMING POOLS. (NSPI-4).
- 2) DECKS ARE DESIGNED TO WITHSTAND A LIVE LOAD OF 100 LB/SF.
- 3) FENCE WILL WITHSTAND A 200 LB. LOAD CONFORMING TO BOCA 421.9.2
- 4) ALL OPENINGS IN THE FENCE ARE LESS THEN 4"
- 5) PRODUCT MEETS OR EXCEEDS ALL REQUIREMENTS OF BOCA SECT. 421



ROUND	DESIGN GALLONAGE		A	NOT ALL POOL SIZES ARE AVAILABLE ON ALL MODELS.
	48" GAL.	52" GAL.		
10'	2,350	2,550	10'-0"	
13'	3,650	4,000	12'-6"	
15'	5,300	5,750	15'-0"	
18'	7,600	8,250	18'-0"	
21'	10,350	11,250	21'-0"	
24'	13,550	14,650	24'-0"	
24' HOP.	15,150	18,300	24'-0"	
27'	17,150	18,550	27'-0"	
27' HOP.	19,300	23,100	27'-0"	
30'	21,150	22,900	30'-0"	

ROUND	48" GAL.	52" GAL.	A
10'	2,350	2,550	10'-0"
13'	3,650	4,000	12'-6"
15'	5,300	5,750	15'-0"
18'	7,600	8,250	18'-0"
21'	10,350	11,250	21'-0"
24'	13,550	14,650	24'-0"
24' HOP.	15,150	18,300	24'-0"
27'	17,150	18,550	27'-0"
27' HOP.	19,300	23,100	27'-0"
30'	21,150	22,900	30'-0"

ROUND	48" GAL.	52" GAL.	A
10'	2,350	2,550	10'-0"
13'	3,650	4,000	12'-6"
15'	5,300	5,750	15'-0"
18'	7,600	8,250	18'-0"
21'	10,350	11,250	21'-0"
24'	13,550	14,650	24'-0"
24' HOP.	15,150	18,300	24'-0"
27'	17,150	18,550	27'-0"
27' HOP.	19,300	23,100	27'-0"
30'	21,150	22,900	30'-0"

ROUND	48" GAL.	52" GAL.	A
10'	2,350	2,550	10'-0"
13'	3,650	4,000	12'-6"
15'	5,300	5,750	15'-0"
18'	7,600	8,250	18'-0"
21'	10,350	11,250	21'-0"
24'	13,550	14,650	24'-0"
24' HOP.	15,150	18,300	24'-0"
27'	17,150	18,550	27'-0"
27' HOP.	19,300	23,100	27'-0"
30'	21,150	22,900	30'-0"

ROUND	48" GAL.	52" GAL.	A
10'	2,350	2,550	10'-0"
13'	3,650	4,000	12'-6"
15'	5,300	5,750	15'-0"
18'	7,600	8,250	18'-0"
21'	10,350	11,250	21'-0"
24'	13,550	14,650	24'-0"
24' HOP.	15,150	18,300	24'-0"
27'	17,150	18,550	27'-0"
27' HOP.	19,300	23,100	27'-0"
30'	21,150	22,900	30'-0"

ROUND	48" GAL.	52" GAL.	A
10'	2,350	2,550	10'-0"
13'	3,650	4,000	12'-6"
15'	5,300	5,750	15'-0"
18'	7,600	8,250	18'-0"
21'	10,350	11,250	21'-0"
24'	13,550	14,650	24'-0"
24' HOP.	15,150	18,300	24'-0"
27'	17,150	18,550	27'-0"
27' HOP.	19,300	23,100	27'-0"
30'	21,150	22,900	30'-0"

ROUND	48" GAL.	52" GAL.	A
10'	2,350	2,550	10'-0"
13'	3,650	4,000	12'-6"
15'	5,300	5,750	15'-0"
18'	7,600	8,250	18'-0"
21'	10,350	11,250	21'-0"
24'	13,550	14,650	24'-0"
24' HOP.	15,150	18,300	24'-0"
27'	17,150	18,550	27'-0"
27' HOP.	19,300	23,100	27'-0"
30'	21,150	22,900	30'-0"

ROUND	48" GAL.	52" GAL.	A
10'	2,350	2,550	10'-0"
13'	3,650	4,000	12'-6"
15'	5,300	5,750	15'-0"
18'	7,600	8,250	18'-0"
21'	10,350	11,250	21'-0"
24'	13,550	14,650	24'-0"
24' HOP.	15,150	18,300	24'-0"
27'	17,150	18,550	27'-0"
27' HOP.	19,300	23,100	27'-0"
30'	21,150	22,900	30'-0"

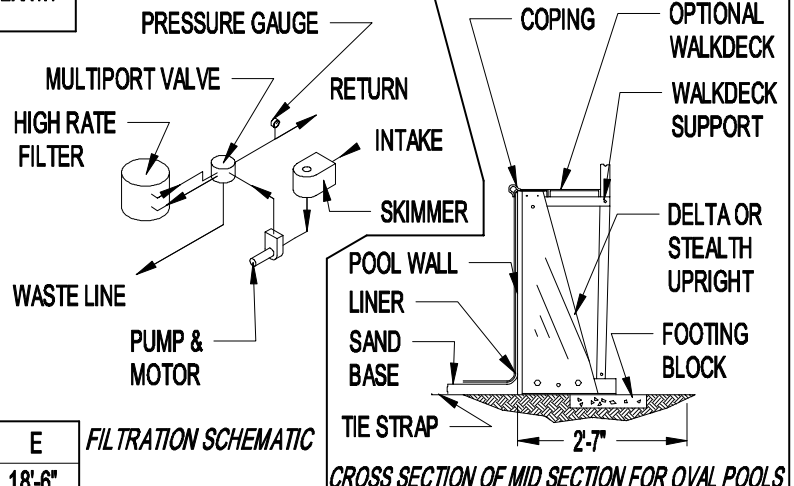
ROUND	48" GAL.	52" GAL.	A
10'	2,350	2,550	10'-0"
13'	3,650	4,000	12'-6"
15'	5,300	5,750	15'-0"
18'	7,600	8,250	18'-0"
21'	10,350	11,250	21'-0"
24'	13,550	14,650	24'-0"
24' HOP.	15,150	18,300	24'-0"
27'	17,150	18,550	27'-0"
27' HOP.	19,300	23,100	27'-0"
30'	21,150	22,900	30'-0"

ROUND	48" GAL.	52" GAL.	A
10'	2,350	2,550	10'-0"
13'	3,650	4,000	12'-6"
15'	5,300	5,750	15'-0"
18'	7,600	8,250	18'-0"
21'	10,350	11,250	21'-0"
24'	13,550	14,650	24'-0"
24' HOP.	15,150	18,300	24'-0"
27'	17,150	18,550	27'-0"
27' HOP.	19,300	23,100	27'-0"
30'	21,150	22,900	30'-0"

ROUND	48" GAL.	52" GAL.	A
10'	2,350	2,550	10'-0"
13'	3,650	4,000	12'-6"
15'	5,300	5,750	15'-0"
18'	7,600	8,250	18'-0"
21'	10,350	11,250	21'-0"
24'	13,550	14,650	24'-0"
24' HOP.	15,150	18,300	24'-0"
27'	17,150	18,550	27'-0"
27' HOP.	19,300	23,100	27'-0"
30'	21,150	22,900	30'-0"



**S.E. CONSULTANTS, INC.**  
 Scottsdale, Arizona

**ESTHER WILLIAMS POOLS**  
 8600 RIVER ROAD  
 DELAIR, NEW JERSEY 08110

**CLASSIC, CAROUSEL AND FESTIVAL ROUND & OVAL POOLS**

SPEC012B | 12/07/98 | NTS | JD J