

THE FESTIVAL 52" ALUMINUM POOL

T3666-FE1-70

BILL OF MATERIALS

PARTS IDENTIFICATION

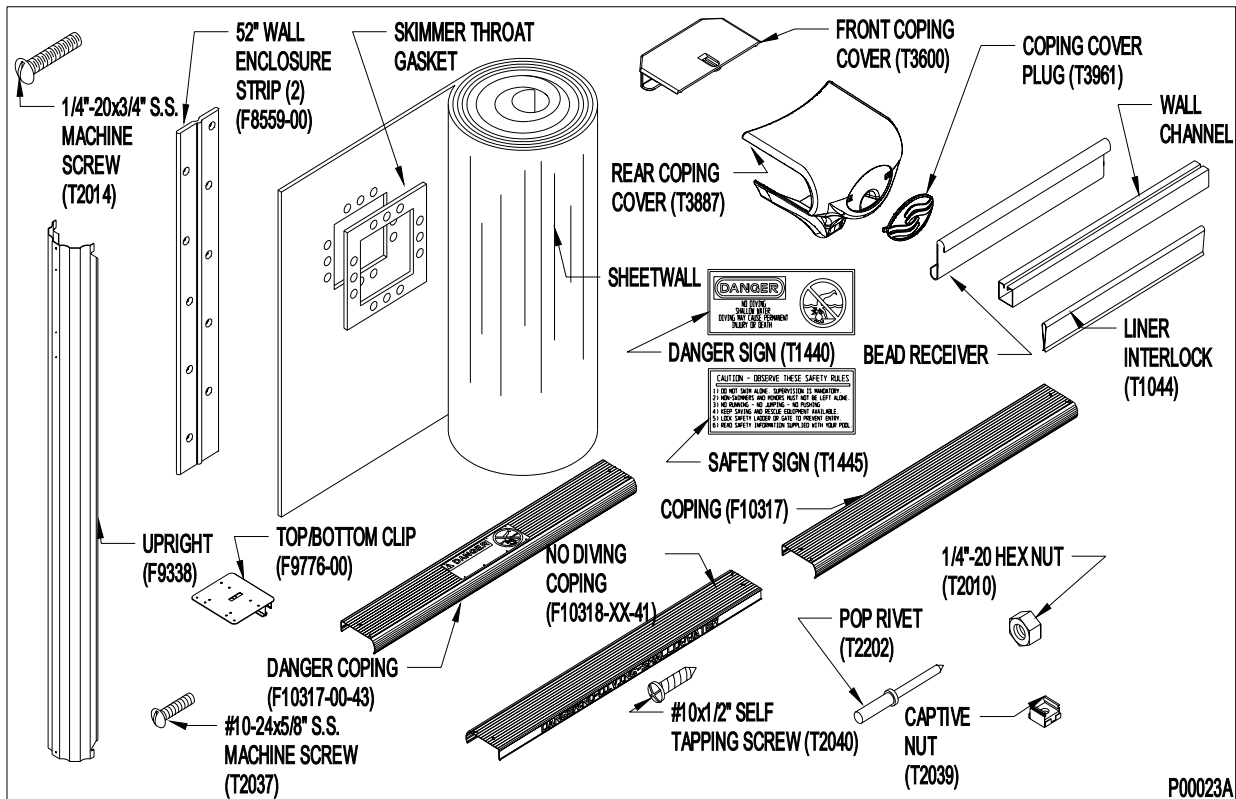
BILL OF MATERIALS FOR ROUND POOLS

DESCRIPTION	PART NO.	POOL SIZE					
		15'	18'	21'	24'	27'	30'
52" UPRIGHT	F9338-XX	10	12	14	16	18	20
CLIP, TOP/BOTTOM	F9776-00	20	24	28	32	36	40
BEAD RECEIVER, 15'	F9279	10	0	0	0	0	0
BEAD RECEIVER, 18'	F9280	0	12	0	0	0	0
BEAD RECEIVER, 21'	F9281	0	0	14	0	0	0
BEAD RECEIVER, 24'/27'/30'	F9282	0	0	0	16	18	20
INTERLOCK, LINER	T1044	1	1	1	1	1	1
SKIMMER THROAT GASKET (Standard Size)	T1037	1	1	1	1	1	1
BOLT BAG, SHEETWALL 10'-18'	T3638	1	1	0	0	0	0
BOLT BAG, SHEETWALL 24'-30'	T3639	0	0	1	1	1	1
BOLT BAG, WALL BOLTS	T3512-WALLBOLTS	1	1	1	1	1	1
ALUM. WALL CHANNEL, 15'	T1657	10	0	0	0	0	0
ALUM. WALL CHANNEL, 18'	T1658	0	12	0	0	0	0
ALUM. WALL CHANNEL, 21'	T1679	0	0	14	0	0	0
ALUM. WALL CHANNEL, 24'	T1659	0	0	0	16	0	0
ALUM. WALL CHANNEL, 27'	T1660	0	0	0	0	18	0
ALUM. WALL CHANNEL, 30'	T3620	0	0	0	0	0	20
MANUAL/BOM PACKET	T2204-FE1RD-70	1	1	1	1	1	1
SIGN PACKAGE	T2204	1	1	1	1	1	1
<u>PACKAGES WITH COPING</u>							
COPING, 5"	F10317-XX	7	9	11	13	15	17
COPING, W / NO DIVING STRIP 5"	F10318-XX-41	2	2	2	2	2	2
COPING, W/ NO DIVE LOGO 5"	F10317-XX-43	1	1	1	1	1	1
FRONT COVER RESIN	T3600-XX	10	12	14	16	18	20
REAR COVER RESIN 5"	T3887-XX	10	12	14	16	18	20
RESIN COVER PLUG SWIRL	T3961-00	10	12	14	16	18	20

WALLS FOR ROUND POOLS

52" WALL	T2737-XX-Y or T2737W-XX-Y	15' x 52"
52" WALL	T2738-XX-Y or T2738W-XX-Y	18' x 52"
52" WALL	T2739-XX-Y or T2739W-XX-Y	21' x 52"
52" WALL	T2740-XX-Y or T2740W-XX-Y	24' x 52"
52" WALL	T2741-XX-Y or T2741W-XX-Y	27' x 52"
52" WALL	T3362-XX-Y or T3362W-XX-Y	30' x 52"
52" ENCLOSURE STRIP	F8559-00	ALL 52 " POOLS (Qty. of 2)

NOTE: SPECIFY COLOR WHEN ORDERING

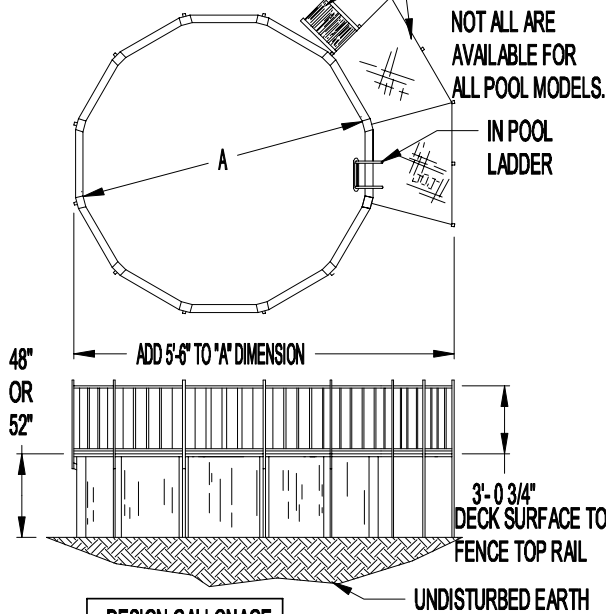


P00023A

NOTE:

- 1) THIS IS A NON-DIVING POOL AS DEFINED IN THE CURRENT "NATIONAL SPA AND POOL INSTITUTE" STANDARD FOR ABOVE GROUND SWIMMING POOLS. (NSPI-4).
- 2) DECKS ARE DESIGNED TO WITHSTAND A LIVE LOAD OF 100 LB/SF.
- 3) FENCE WILL WITHSTAND A 200 LB. LOAD CONFORMING TO BOCA 421.9.2
- 4) ALL OPENINGS IN THE FENCE ARE LESS THEN 4"
- 5) PRODUCT MEETS OR EXCEEDS ALL REQUIREMENTS OF BOCA SECT. 421

ROUND POOL
SWING-UP SELF LOCKING LADDER.



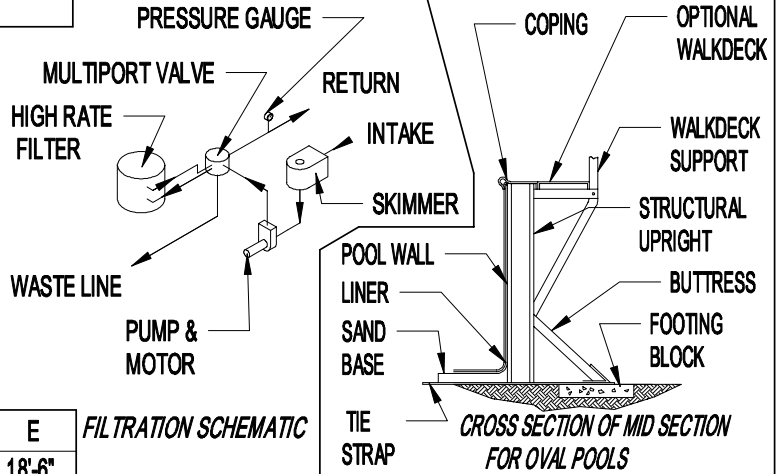
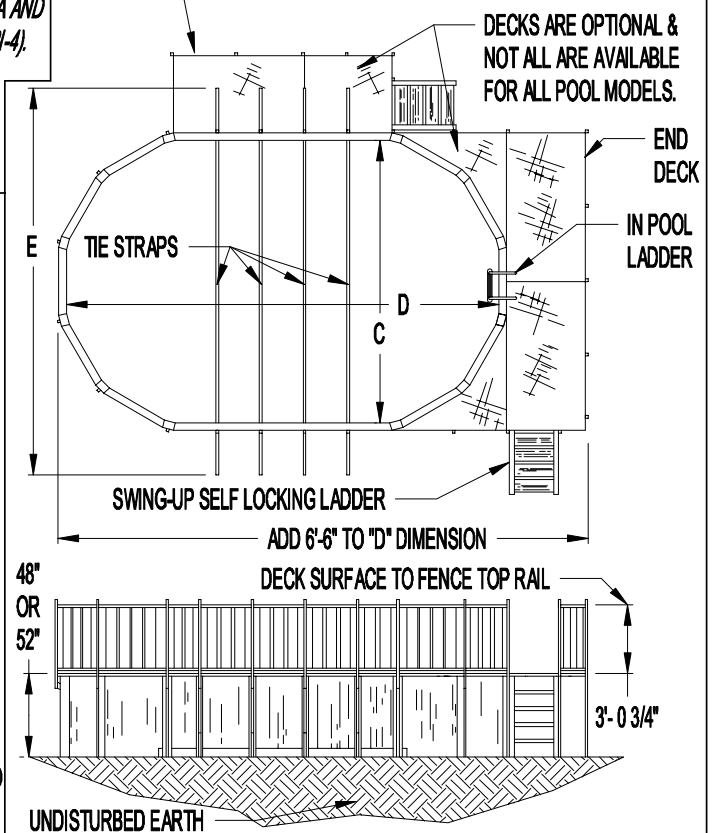
DESIGN GALLONAGE

ROUND	48" GAL.	52" GAL.	A
10'	2,350	2,550	10'-0"
13'	3,650	4,000	12'-6"
15'	5,300	5,750	15'-0"
18'	7,600	8,250	18'-0"
21'	10,350	11,250	21'-0"
24'	13,550	14,650	24'-0"
24' HOP.	15,150	18,300	24'-0"
27'	17,150	18,550	27'-0"
27' HOP.	19,300	23,100	27'-0"
30'	21,150	22,900	30'-0"

NOT ALL POOL SIZES ARE AVAILABLE ON ALL MODELS.

OVAL SIZES	48" GAL.	52" GAL.	C	D	E
13'x19'	5,950	6,400	12'-6"	18'-6"	18'-6"
13'x22'	7,050	7,600	12'-6"	21'-6"	18'-6"
15'x24'	9,350	10,100	15'-0"	24'-0"	21'-0"
15'x30'	12,050	13,050	15'-0"	30'-0"	21'-0"
18'x33'	15,700	17,000	18'-0"	33'-0"	24'-0"
18'x45'	22,700	24,000	18'-0"	45'-0"	24'-0"
15'x24' HOPPER	10,400	11,150	15'-0"	24'-0"	21'-0"
15'x30' HOPPER	13,250	14,250	15'-0"	30'-0"	21'-0"
18'x33' HOPPER	17,200	18,500	18'-0"	33'-0"	24'-0"
18'x45' HOPPER	24,200	25,500	18'-0"	45'-0"	24'-0"

OVAL POOL SIDE DECK (ADD 3'-6" TO "E" DIMENSION)



FILTRATION SCHEMATIC

S.E. CONSULTANTS, INC.

Scottsdale, Arizona

ESTHER WILLIAMS POOLS
8600 RIVER ROAD
DELAIR, NEW JERSEY 08110

CLASSIC, CAROUSEL, CARNIVAL & FESTIVAL POOLS

SPEC014B | 12/7/98 | NTS | J D J