

**ESTHER WILLIAMS POOLS
THE MILLENNIUM 52" HIGH EXTRUDED WALL
DELTA 3000 SUPPORT SYSTEM
OVAL ALUMINUM POOLS with RESIN COVERS**

T3669-MI5-60

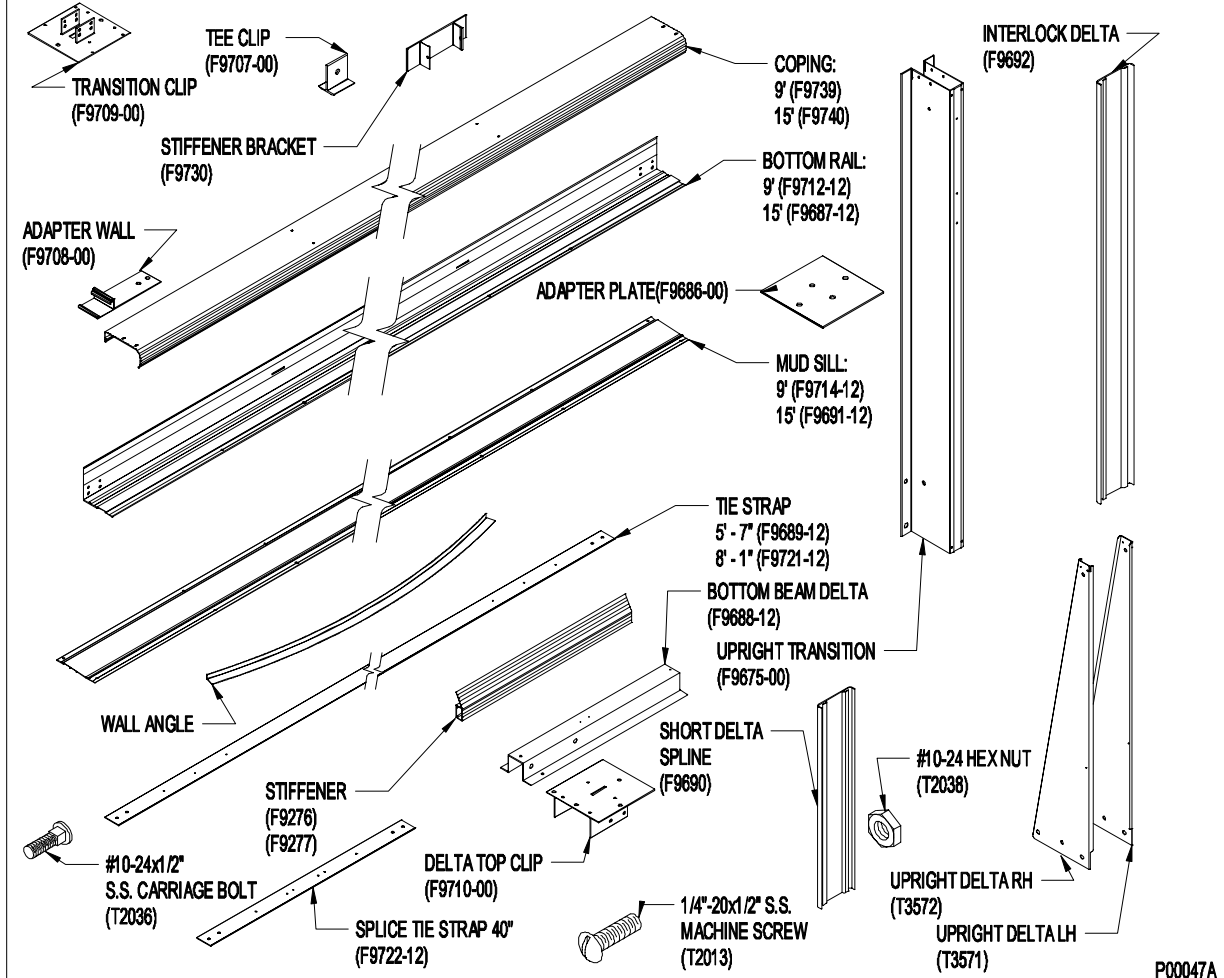
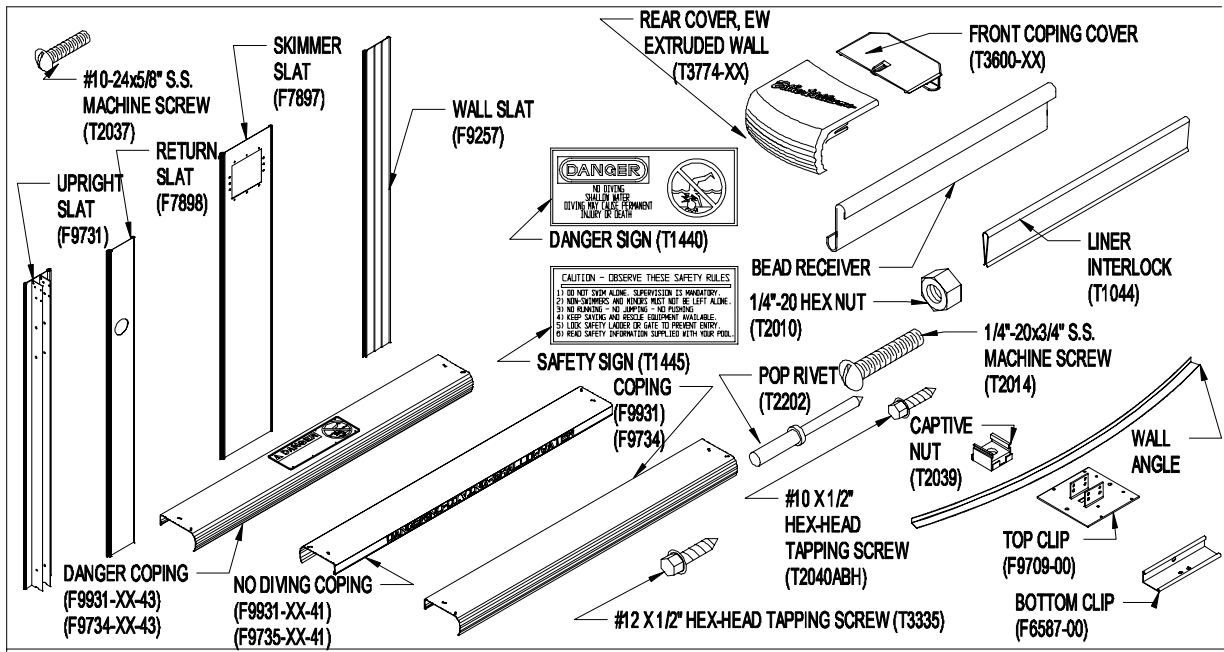
BILL OF MATERIALS

PARTS IDENTIFICATION

BILL OF MATERIALS FOR OVAL POOLS

<u>DESCRIPTION</u>	<u>PART NO.</u>	<u>POOL SIZE</u>			
		<u>12 ½ X 21 ½</u>	<u>15X24</u>	<u>15X30</u>	<u>18X33</u>
SLAT BOX OF 64	X8174-XX	2	0	2	0
SLAT BOX OF 50	X8175-XX	0	3	1	4
WALL SLAT (IN ADD BOX)	F9257-XX	7	5	7	7
SKIMMER SLAT (IN ADD BOX)	F7897-XX	1	1	1	1
RETURN SLAT (IN ADD BOX)	F7898-XX	1	1	1	1
UPRIGHT SLAT	F9731-XX	8	8	8	10
TOP CLIP	F9709-00	8	8	8	10
BOTTOM CLIP	F6587-00	8	8	8	10
BOLT BAG 1221 / 1524	T3684A	1	1	0	0
BOLT BAG 1221 / 1524	T3684B	1	1	0	0
BOLT BAG 1221 / 1524	T3684C	1	1	0	0
BOLT BAG 1530 / 1833	T3685A	0	0	1	1
BOLT BAG 1530 / 1833	T3685B	0	0	1	1
BOLT BAG 1530 / 1833	T3685C	0	0	1	1
INTERLOCK LINER	T1044	1	1	1	1
WALL ANGLE, 12X	F6660-04	6	0	0	0
WALL ANGLE, 12X SPECIAL	F6661-XX	4	0	0	0
BEAD RECEIVER, 12X	F8864-XX	10	0	0	0
WALL ANGLE, 15'-18'	F6589-XX	0	6	6	8
WALL ANGLE, 15'-18' SPECIAL	F6612-XX	0	4	4	4
BEAD RECEIVER, 15'-18'	F8865-01	0	10	10	12
MANUAL/BOM PACKET	T2204-MI4-30	1	1	1	1
SIGN PACKET	T2204	1	1	1	1
<u>4B BOX</u>					
TOP CLIP 5"	F9709-00	4	4	4	4
TOP CLIP (DELTA)	F9710-00	4	4	8	8
ADAPTER PLATE	F9686-00	4	4	8	8
TEE CLIP	F9707-00	4	4	8	8
ADAPTER WALL	F9708-00	4	4	4	4
OVAL UPRIGHT	F9675-XX	4	4	4	4

<u>DESCRIPTION</u>	<u>PART NO.</u>	<u>12 ½ X 21 ½</u>	<u>15X24</u>	<u>15X30</u>	<u>18X33</u>
TIE STRAP SHORT 3'-4"	F9722-XX	0	0	0	4
VACUUM HEAD W/BUMPER	T1061	1	1	1	1
BOLT BAG, STIFFENER	T3410-XX	1	1	1	1
<u>4C BOX</u>					
3' ANGLE	F6602-00	6	6	10	10
9' BOTTOM RAIL	F9712-XX	2	2	0	0
6' BEAD RECEIVER	F9055-01	0	0	2	2
9' BEAD RECEIVER	F9056-01	2	2	2	2
15' BOTTOM RAIL	F9687-XX	0	0	2	2
TIE STRAP-5'-7"	F9689-XX	2	0	0	0
TIE STRAP 8'-1"	F9721-XX	2	8	8	8
MUD SILL 9'	F9714-XX	4	4	0	0
MUD SILL 15'	F9691-XX	0	0	4	4
STIFFENER BRACKET	F9730-XX	4	4	8	8
STIFFENER, 33 1/8"	F9276-XX	4	4	4	4
STIFFENER, 32 3/8"	F9277-XX	2	2	6	6
<u>SUPPORT ASS'Y BOX</u>					
BOTTOM BEAM	F9688-XX	4	4	8	8
BOTTOM BEAM VINYL CAP	T3573-12	4	4	8	8
INTERLOCK	F9692-XX	4	4	8	8
DELTA SHORT SPLINE	F9690-XX	4	4	8	8
DELTA UPRIGHT LH	T3571--XX	4	4	8	8
DELTA UPRIGHT RH	T3572-XX	4	4	8	8
<u>PACKAGES WITH COPING (FOR POOLS NOT SUPPLIED WITH AN OPTIONAL WALKDECK PACKAGE)</u>					
COPING, 15'-30'	F9734-XX	0	7	7	9
COPING, 15'-30' NO DIVE PICTOGRAPH	F9734-XX-43	0	1	1	1
COPING, 15'-30' NO DIVE STRIP	F9735-XX-41	0	2	2	2
COPING, 12X	F9931-XX	7	0	0	0
COPING, 12X NO DIVE PICTOGRAPH	F9931-XX-43	1	0	0	0
COPING, 12X NO DIVE STRIP	F9932-XX-41	2	0	0	0
COPING COVER-FRONT	T3600-XX	12	12	12	14
COPING COVER-REAR	T3774-XX	12	12	12	14
9' COPING	F9739-XX	2	2	0	0
15' COPING	F9740-XX	0	0	2	2
LINER 12'-6" x 21'-6"	L1002-XX	1	0	0	0
LINER 15' x 24'	L1003-XX	0	1	0	0
LINER 15' x 30'	L1004-XX	0	0	1	0
LINER 18' x 33'	L1005-XX	0	0	0	1

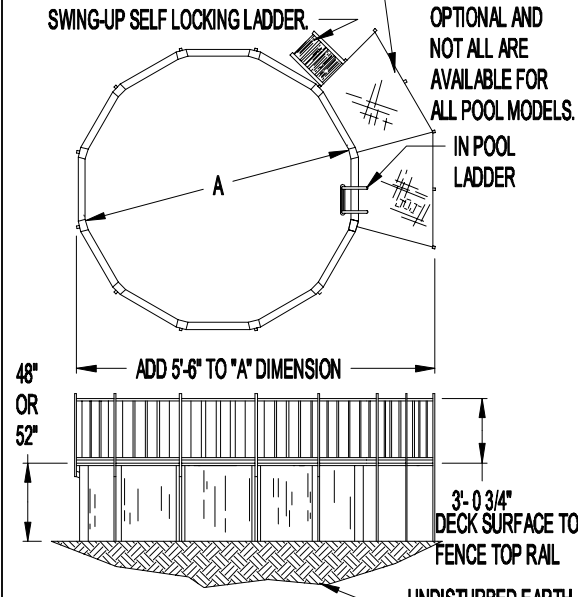


P00047A

NOTE:

- 1) THIS IS A NON-DIVING POOL AS DEFINED IN THE CURRENT "NATIONAL SPA AND POOL INSTITUTE" STANDARD FOR ABOVE GROUND SWIMMING POOLS. (NSPI-4).
- 2) DECKS ARE DESIGNED TO WITHSTAND A LIVE LOAD OF 100 LB/SF.
- 3) FENCE WILL WITHSTAND A 200 LB. LOAD CONFORMING TO BOCA 421.9.2
- 4) ALL OPENINGS IN THE FENCE ARE LESS THEN 4"
- 5) PRODUCT MEETS OR EXCEEDS ALL REQUIREMENTS OF BOCA SECT. 421

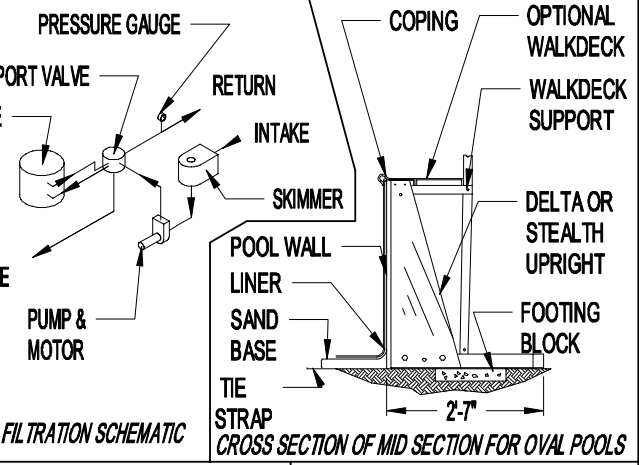
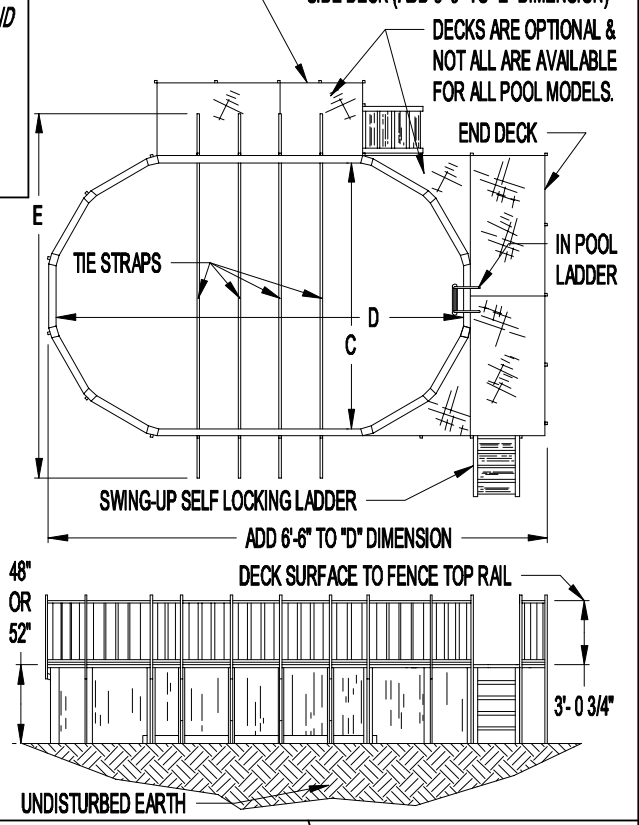
ROUND POOL



ROUND	DESIGN GALLONAGE		A	NOT ALL POOL SIZES ARE AVAILABLE ON ALL MODELS.
	48" GAL.	52" GAL.		
10'	2,350	2,550	10'-0"	
13'	3,650	4,000	12'-6"	
15'	5,300	5,750	15'-0"	
18'	7,600	8,250	18'-0"	
21'	10,350	11,250	21'-0"	
24'	13,550	14,650	24'-0"	
24' HOP.	15,150	18,300	24'-0"	
27'	17,150	18,550	27'-0"	
27' HOP.	19,300	23,100	27'-0"	
30'	21,150	22,900	30'-0"	

OVAL SIZES	C	D	E
13'x19'	12'-6"	18'-6"	17'-8"
13'x22'	12'-6"	21'-6"	17'-8"
13'x25'	12'-6"	24'-6"	17'-8"
15'x24'	15'-0"	24'-0"	20'-2"
15'x30'	15'-0"	30'-0"	20'-2"
18'x33'	18'-0"	33'-0"	23'-2"
18'x45'	18'-0"	45'-0"	23'-2"

OVAL POOL



Seal

S.E. CONSULTANTS, INC.
Scottsdale, Arizona

DELAIR GROUP LLC
8600 RIVER ROAD
DELAIR, NEW JERSEY 08110

SAFARI, SOUTH BEACH, FESTIVAL, SUMMIT,
MILLENIUM, ULTIMA, TITAN

SPEC015C	02/16/00	NTS	J D J
----------	----------	-----	-------