

ESTHER WILLIAMS POOLS
THE SUMMIT 52" HIGH SHEET WALL DELTA 3000 SUPPORT
SYSTEM OVAL with RESIN COVERS

T3667-SU5-60

BILL OF MATERIALS

PARTS IDENTIFICATION

| DESCRIPTION | PART NO. | BILL OF MATERIALS FOR OVAL POOLS | | | | POOL SIZE | | | |
|-------------------------------|-----------------------|----------------------------------|-------|-------|-------|-----------------|-------|-------|-------|
| | | 12 1/2 X 21 1/2 | 15X24 | 15X30 | 18X33 | 12 1/2 X 21 1/2 | 15X24 | 15X30 | 18X33 |
| 52" WALL ENCLOSURE STRIP | F8559-00 | 2 | 2 | 2 | 2 | | | | |
| BOLT BAG, WALL BOLTS | T3512-WALLBOLTS | 1 | 1 | 1 | 1 | | | | |
| BOLT BAG 1221 / 1524 | T3682A | 1 | 1 | 0 | 0 | | | | |
| BOLT BAG 1221 / 1524 | T3682B | 1 | 1 | 0 | 0 | | | | |
| BOLT BAG 1221 / 1524 | T3682C | 1 | 1 | 0 | 0 | | | | |
| BOLT BAG 1530 / 1833 | T3683A | 0 | 0 | 1 | 1 | | | | |
| BOLT BAG 1530 / 1833 | T3683B | 0 | 0 | 1 | 1 | | | | |
| BOLT BAG 1530 / 1833 | T3683C | 0 | 0 | 1 | 1 | | | | |
| BOLT BAG, COPING COVER PLUGS | T3792 | 1 | 1 | 1 | 1 | | | | |
| BOLT BAG, UPRIGHT COLUMN BASE | T3798X | 2 | 2 | 2 | 2 | | | | |
| UPRIGHT, 52" | F9741-XX | 12 | 12 | 12 | 14 | | | | |
| COLUMN BASE FOR UPRIGHT | T3522-XX | 12 | 12 | 12 | 14 | | | | |
| TOP AND BOTTOM CLIP | F9729-00 | 24 | 24 | 24 | 28 | | | | |
| WALL CHANNEL 12X SPECIAL | T1702 | 4 | 0 | 0 | 0 | | | | |
| WALL CHANNEL 12X (BLACK) | T1701 | 6 | 0 | 0 | 0 | | | | |
| WALL CHANNEL 15X (GREEN) | T1657 | 0 | 6 | 6 | 0 | | | | |
| WALL CHANNEL 15X (RED) | T1700 | 0 | 4 | 4 | 0 | | | | |
| WALL CHANNEL 18X (BROWN) | T1878 | 0 | 0 | 0 | 4 | | | | |
| WALL CHANNEL 18X (BLUE) | T1658 | 0 | 0 | 0 | 8 | | | | |
| BEAD RECEIVER 12X | F8867-XX | 10 | 0 | 0 | 0 | | | | |
| BEAD RECEIVER 15X | F9279-XX | 0 | 10 | 10 | 0 | | | | |
| BEAD RECEIVER 18X | F9280-XX | 0 | 0 | 0 | 12 | | | | |
| SKIMMER THROAT GASKET | T1037 (Standard Size) | 1 | 1 | 1 | 1 | | | | |
| SKIMMER THROAT GASKET | T3630-GH (Widemouth) | 1 | 1 | 1 | 1 | | | | |
| LINER INTERLOCK | T1044 | 1 | 1 | 1 | 1 | | | | |
| MANUAL/BOM PACKET | T2204-SU5-XX | 1 | 1 | 1 | 1 | | | | |
| SIGN PACKAGE | T2204 | 1 | 1 | 1 | 1 | | | | |
| <u>4 B BOX:</u> | | | | | | | | | |
| DELTA TOP CLIP | F9710-00 | 4 | 4 | 8 | 8 | | | | |
| ADAPTER PLATE | F9686-00 | 4 | 4 | 8 | 8 | | | | |
| OVAL UPRIGHT (TRANSITION) | F9675-XX | 4 | 4 | 4 | 4 | | | | |
| TIE STRAP SPLICE 3' | F9722-XX | 0 | 0 | 0 | 4 | | | | |
| ADAPTER SHEET WALL | F9708-00 | 4 | 4 | 4 | 4 | | | | |
| TOP CLIP, 5" OVAL EW | F9709-00 | 4 | 4 | 4 | 4 | | | | |
| <u>4C BOX</u> | | | | | | | | | |
| 9' BOTTOM RAIL | F9712-XX | 2 | 2 | 0 | 0 | | | | |
| 15' BOTTOM RAIL | F9687-XX | 0 | 0 | 2 | 2 | | | | |

| <u>DESCRIPTION</u> | <u>PART NO.</u> | <u>12 1/2 X21 1/2</u> | <u>15X24</u> | <u>15X30</u> | <u>18X33</u> |
|--------------------|-----------------|-----------------------|--------------|--------------|--------------|
| 6' BEAD RECEIVER | F9053-XX | 0 | 0 | 2 | 2 |
| 9' BEAD RECEIVER | F9054-XX | 2 | 2 | 2 | 2 |
| MUD SILL 9' | F9714-XX | 4 | 4 | 0 | 0 |
| MUD SILL 15' | F9691-XX | 0 | 0 | 4 | 4 |

| | | | | | |
|-------------------|----------|---|---|---|---|
| TIE STRAP 5' – 7" | F9689-XX | 2 | 0 | 0 | 0 |
| TIE STRAP 8' – 1" | F9721-XX | 2 | 8 | 8 | 8 |

SUPPORT ASSY. BOXES

| | | | | | |
|-----------------------|-----------|---|---|----|----|
| ANGLE 3' | F6602-00 | 6 | 6 | 10 | 10 |
| BOTTOM BEAM | F9688-XX | 4 | 4 | 8 | 8 |
| BOTTOM BEAM VINYL CAP | T3573-12 | 4 | 4 | 8 | 8 |
| DELTA UPRIGHT LH | T3571- XX | 4 | 4 | 8 | 8 |
| DELTA UPRIGHT RH | T3572- XX | 4 | 4 | 8 | 8 |
| INTERLOCK | F9692-XX | 4 | 4 | 8 | 8 |
| DELTA SHORT SPLINE | F9690-XX | 4 | 4 | 8 | 8 |
| TEE CLIP | F9707-00 | 4 | 4 | 8 | 8 |

PACKAGES WITH COPING (FOR NOT SUPPLIED WITH AN OPTIONAL WALKDECK PACKAGE)

| | | | | | |
|-----------------------------------|-------------|----|----|----|----|
| COPING 3" SCALLOP 12X | F9931-XX | 7 | 0 | 0 | 0 |
| COPING 3" SCALLOP NO DIVE 12X | F9932-XX-41 | 2 | 0 | 0 | 0 |
| COPING 3" SCALLOP DANGER 12X | F9931-XX-43 | 1 | 0 | 0 | 0 |
| COPING 3" SCALLOP | F9734-XX | 0 | 7 | 7 | 9 |
| COPING 3" SCALLOP NO DIVE | F9735-XX-41 | 0 | 2 | 2 | 2 |
| COPING 3" SCALLOP DANGER | F9734-XX-43 | 0 | 1 | 1 | 1 |
| FEATURE STRIP 15X, 18X - 54 7/16" | F8171-XX | 10 | 10 | 10 | 12 |
| COPING COVER, FRONT | T3600-XX | 12 | 12 | 12 | 14 |
| COPING COVER, REAR | T3773-XX | 12 | 12 | 12 | 14 |

4C BOX

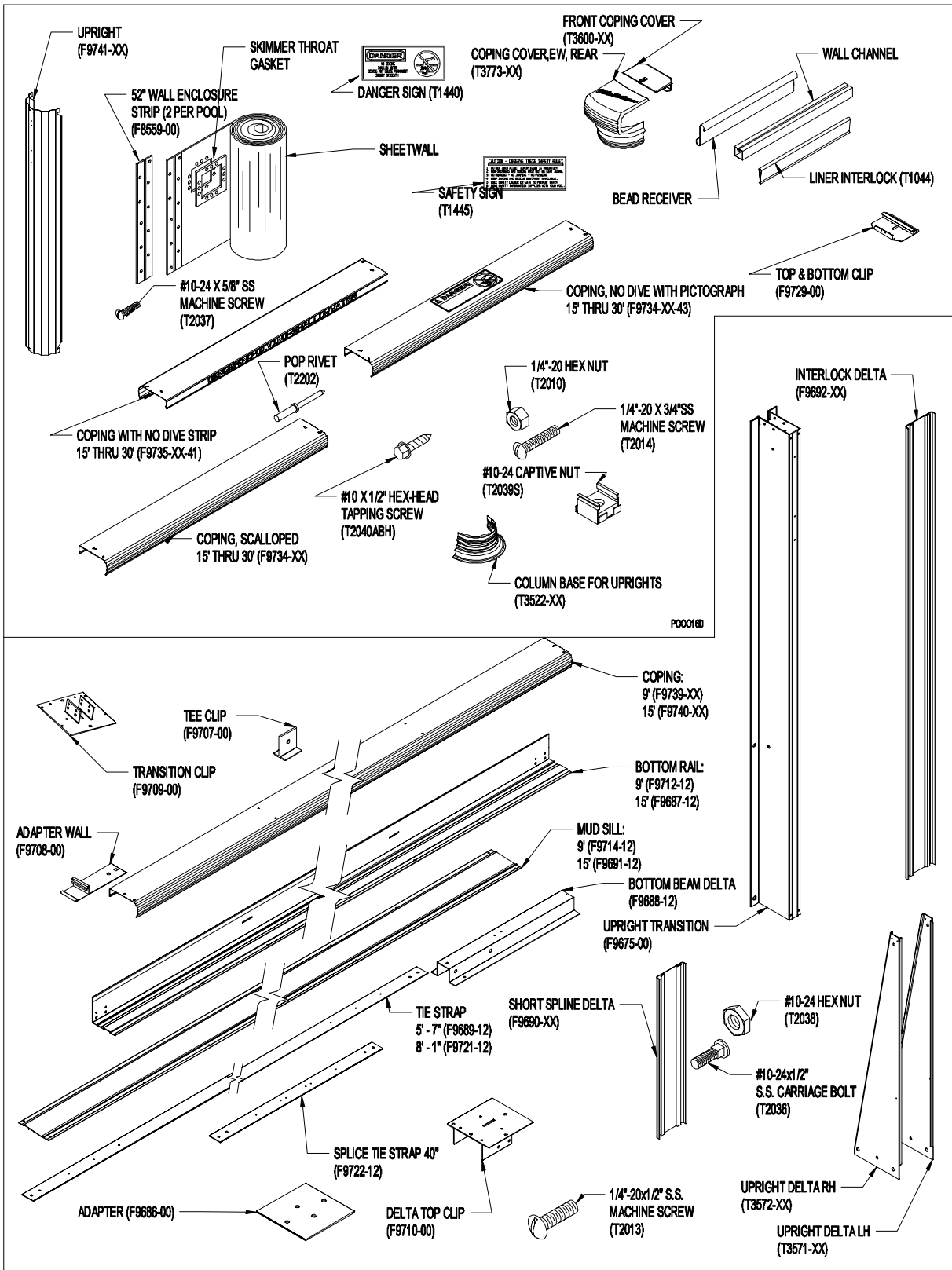
| | | | | | |
|------------------------|----------|---|---|---|---|
| 9' COPING EW STRAIGHT | F9739-XX | 2 | 2 | 0 | 0 |
| 15' COPING EW STRAIGHT | F9740-XX | 0 | 0 | 2 | 2 |
| FEATURE STRIP, 9' | F8173-XX | 2 | 2 | 0 | 0 |
| FEATURE STRIP, 15' | F8174-XX | 0 | 0 | 2 | 2 |

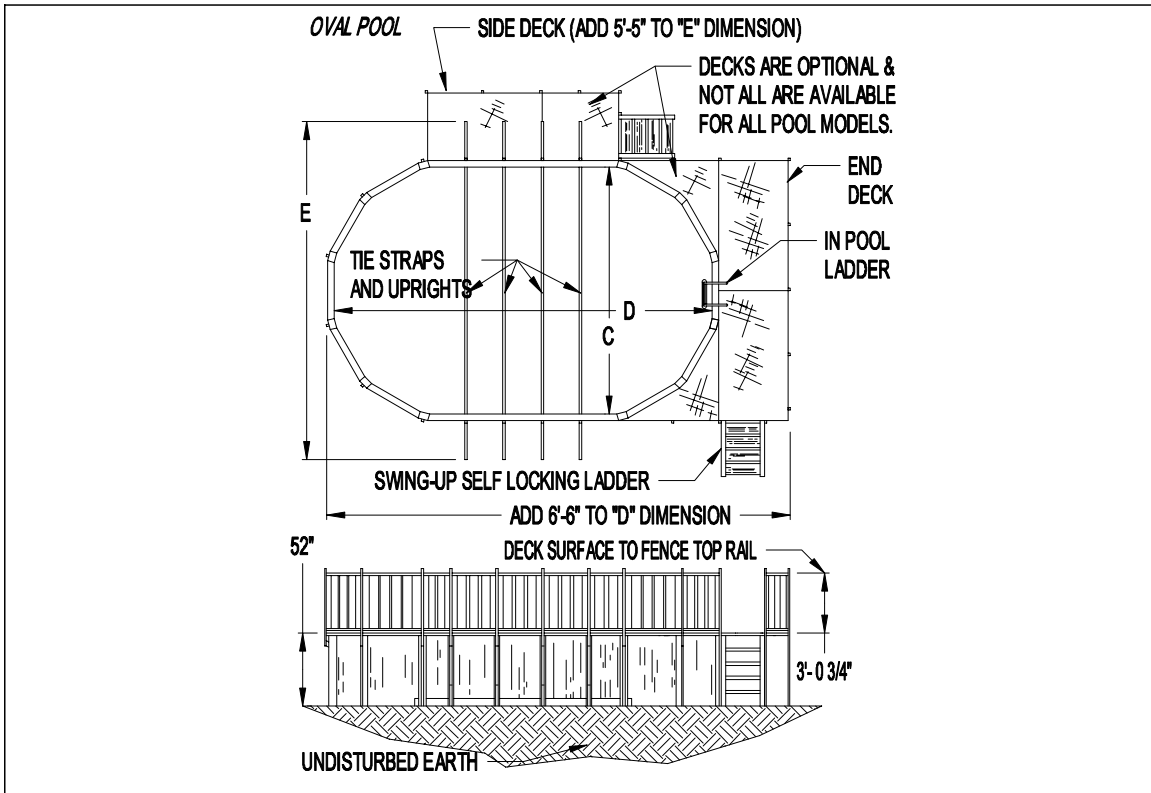
WALLS FOR OVAL POOLS

| | | | | | | |
|-----------|---------------|-------------|---|---|---|---|
| POOL WALL | T2743-XX-Y or | T2743W-XX-Y | 1 | 0 | 0 | 0 |
| POOL WALL | T2745-XX-Y or | T2745W-XX-Y | 0 | 1 | 0 | 0 |
| POOL WALL | T2746-XX-Y or | T2746W-XX-Y | 0 | 0 | 1 | 0 |
| POOL WALL | T2747-XX-Y or | T2747W-XX-Y | 0 | 0 | 0 | 1 |

| <u>POOL SIZE</u> | <u>LINER PART NO.</u> |
|------------------|-----------------------|
| 12'-6" x 21'-6" | L1322-52XYY |
| 15' x 24' | L1524-52XYY |
| 15' x 30' | L1530-52XYY |
| 18' x 33' | L1833-52XYY |

NOTE: SPECIFY COLOR AND STYLE WHEN ORDERING PARTS

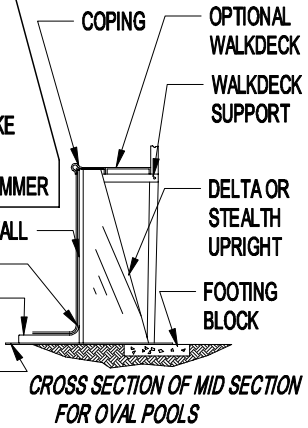
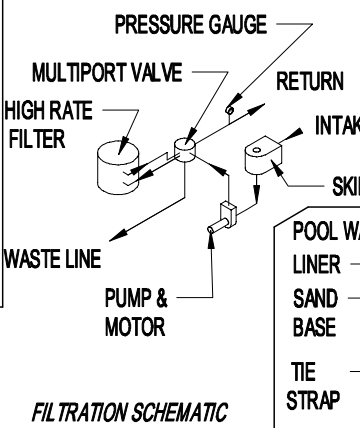




NOTE:
 1) THIS IS A NON-DIVING POOL AS DEFINED IN THE CURRENT "NATIONAL SPA AND POOL INSTITUTE" STANDARD FOR ABOVE GROUND SWIMMING POOLS. (NSPI-4).
 2) DECKS ARE DESIGNED TO WITHSTAND A LIVE LOAD OF 100 LB/SF.
 3) FENCE WILL WITHSTAND A 200 LB. LOAD CONFORMING TO BOCA 421.9.2
 4) ALL OPENINGS IN THE FENCE ARE LESS THEN 4"
 5) PRODUCT MEETS OR EXCEEDS ALL REQUIREMENTS OF BOCA SECT. 421

NOTE:
 NOT ALL POOL SIZES ARE AVAILABLE ON ALL MODELS

| OVAL SIZES | 52" GAL. | C | D | E |
|------------|----------|--------|--------|--------|
| 13'x19' | 6,400 | 12'-6" | 18'-6" | 14'-8" |
| 13'x22' | 7,600 | 12'-6" | 21'-6" | 14'-8" |
| 15'x24' | 10,100 | 15'-0" | 24'-0" | 17'-2" |
| 15'x30' | 13,050 | 15'-0" | 30'-0" | 17'-2" |
| 18'x33' | 17,000 | 18'-0" | 33'-0" | 20'-2" |
| | | | | |
| | | | | |



Seal

S.E. CONSULTANTS, INC.
 Scottsdale, Arizona

CUSTOMER SERVICE DEPARTMENT
 8600 RIVER ROAD
 DELAIR, NEW JERSEY 08110
 SUMMIT, MILLENNIUM TITAN, ULTIMA

SPEC015A 02/16/00 NTS W.B.M.