

THE FESTIVAL 52" ALUMINUM POOL

T3667-FE1-70

BILL OF MATERIALS

PARTS IDENTIFICATION

BILL OF MATERIALS FOR OVAL POOLS

<u>DESCRIPTION</u>	<u>PART NO.</u>	<u>POOL SIZE</u>		
		<u>15x24</u>	<u>15x30</u>	<u>18x33</u>
CLIP, TOP/BOTTOM (ROUND END)	F9776-00	20	20	24
52" UPRIGHT (ROUND END)	F9338-XX	12	12	14
ADAPTER	F9686-00	4	8	8
WALL ADAPTER	F9708-00	4	4	4
INTERLOCK	T1044	1	1	1
SKIMMER THROAT GASKET (Standard Size)	T1037	1	1	1
BOTTOM BEAM, DELTA	F9688-12	4	8	8
BOTTOM BEAN VINYL CAP	T3573-12	4	8	8
SPLINE SHORT DELTA	F9690-XX	4	8	8
INTERLOCK DELTA	F9692-XX	4	8	8
UPRIGHT DELTA LH	T3571-XX	4	8	8
UPRIGHT DELTA RH	T3572-XX	4	8	8
TEE CLIP	F9707-00	4	8	8
CLIP TOP 5" TRANSITION	F9709-00	4	4	4
CLIP TOP 5 ½" DELTA	F9710-00	4	8	8
UPRIGHT (TRANSITION)	F9711-00	4	4	4
ANGLE 3'	F6602-00	6	10	10
BOLT BAG, SHEETWALL 1524	T3682A	1	0	0
BOLT BAG, SHEETWALL 1524	T3682B	1	0	0
BOLT BAG, SHEETWALL 1524	T3682C	1	0	0
BOLT BAG, SHEETWALL 1530 / 1833	T3683A	0	1	1
BOLT BAG, SHEETWALL 1530 / 1833	T3683B	0	1	1
BOLT BAG, SHEETWALL 1530 / 1833	T3683C	0	1	1
BOLT BAG, WALL BOLTS	T3512-WALLBOLTS	1	1	1
BEAD RECEIVER, 15'	F9279-XX	10	10	0
BEAD RECEIVER, 18'	F9280-XX	0	0	12
WALL CHANNEL, 15'	T1657	6	6	0
WALL CHANNEL, 15' OVAL, SPECIAL	T1700	4	4	0
WALL CHANNEL, 18'	T1658	0	0	8
WALL CHANNEL, 18' OVAL, SPECIAL	T1878	0	0	4
MANUAL/BOM PACKET	T2204-FE1OV-70	1	1	1
SIGN PACKAGE	T2204	1	1	1
<u>3C PARTS BOX:</u>				
BEAD RECEIVER, 6'-0"	F9053-01	0	2	2
BEAD RECEIVER, 9'-0"	F9054-01	2	2	2
TIE STRAP, 8'-1"	F9721-12	8	8	8
SPLICE, TIE STRAP 40"	F9722-12	0	0	4
MUD SILL, 15'	F9691-12	0	4	4

MUD SILL, 9'	F9714-12	4	0	0
BOTTOM RAIL, 15'	F10261-12	0	2	2
BOTTOM RAIL, 9'	F10259-XX	2	0	0

PACKAGES WITH COPING (FOR POOLS NOT SUPPLIED WITH AN OPTIONAL WALKDECK PACKAGE)

COPING, 5"	F10317-XX	7	7	9
COPING, W/ NO DIVE STRIP 5"	F10318-XX-41	2	2	2
COPING, W/ NO DIVE LOGO 5"	F10317-XX-43	1	1	1
FRONT COVER RESIN	T3600-XX	12	12	14
REAR COVER RESIN 5"	T3887-XX	12	12	14
RESIN COVER PLUG SWIRL	T3961-XX	12	12	14

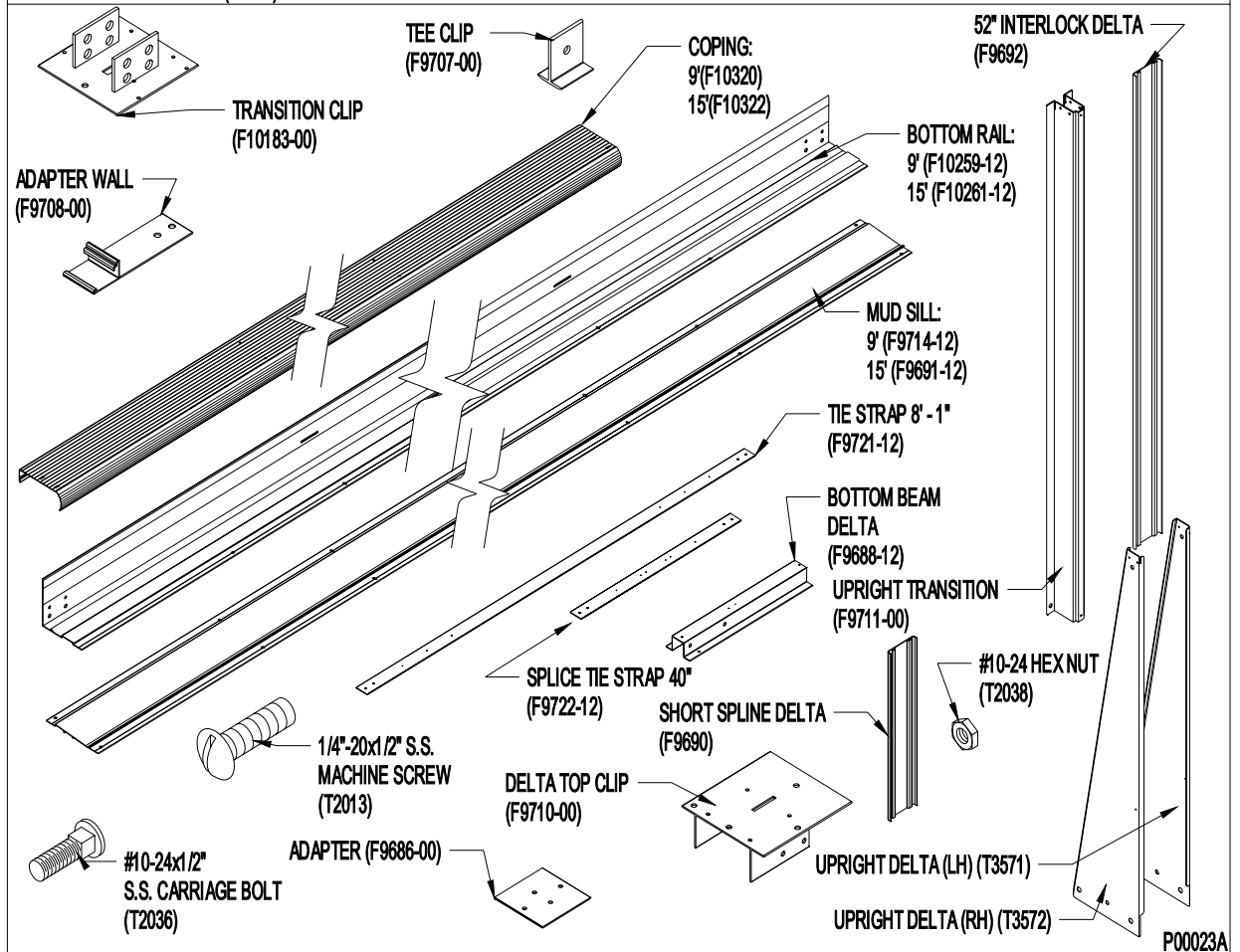
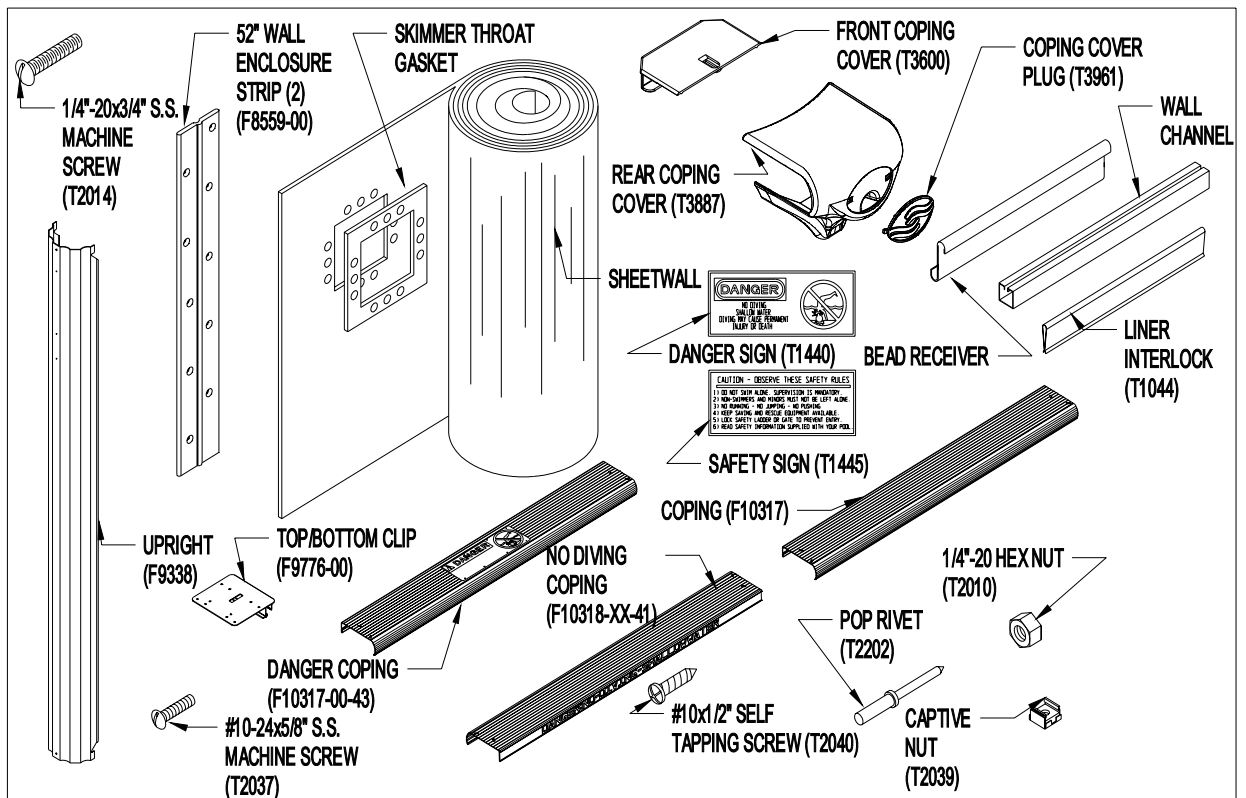
3C PARTS BOX:

COPING, 9'	F10320-XX	2	0	0
COPING, 15'	F10322-XX	0	2	2

WALLS FOR OVAL POOLS

52" WALL	T2745-XX-Y or T2745W-XX-Y	15' x 24' x 52"
52" WALL	T2746-XX-Y or T2746W-XX-Y	15' x 30' x 52"
52" WALL	T2747-XX-Y or T2747W-XX-Y	18' x 33' x 52"
52" ENCLOSURE STRIP	F8559-00	ALL 52 " POOLS (Qty. of 2)

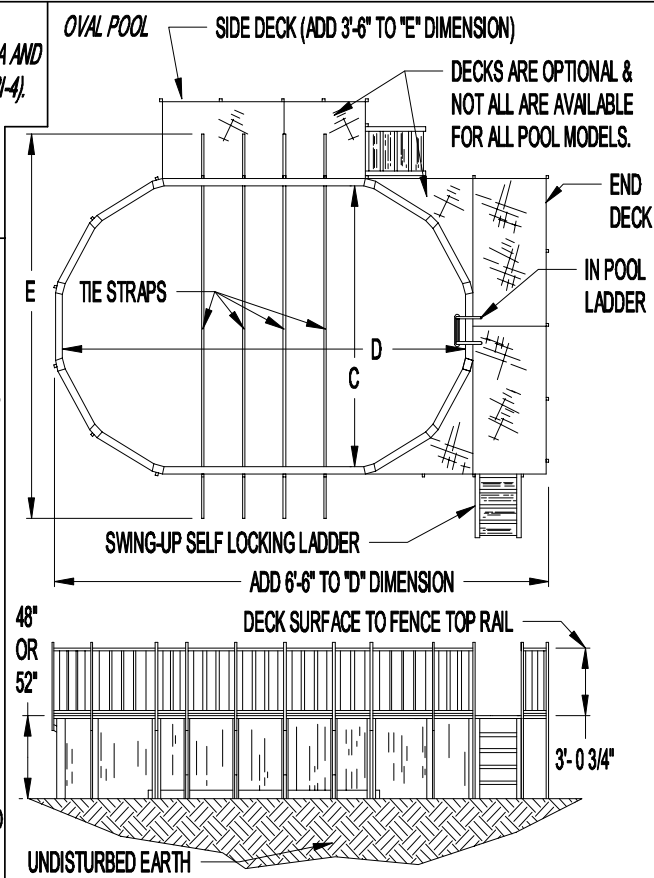
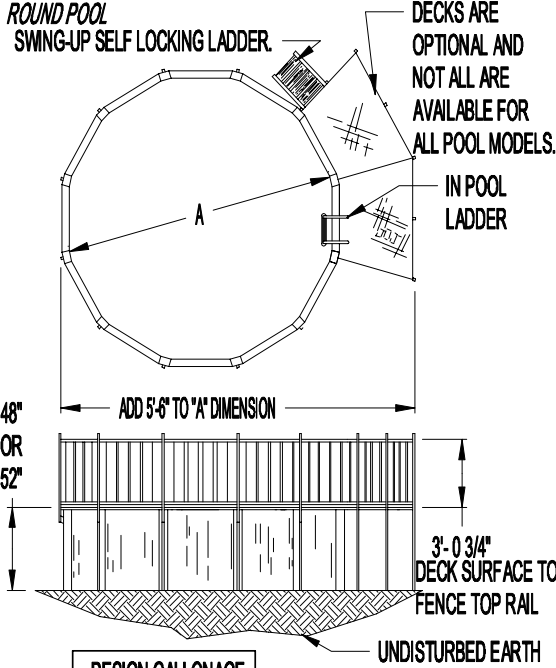
NOTES: SPECIFY COLOR WHEN ORDERING.



P00023A

NOTE:

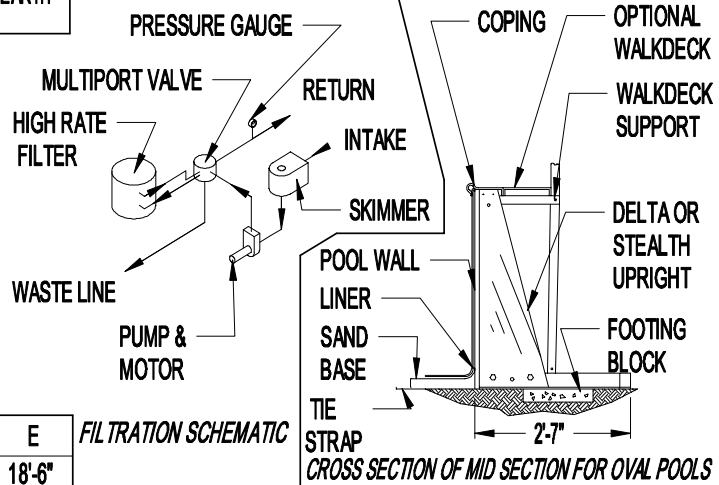
- 1) THIS IS A NON-DIVING POOL AS DEFINED IN THE CURRENT "NATIONAL SPA AND POOL INSTITUTE" STANDARD FOR ABOVE GROUND SWIMMING POOLS. (NSPI-4).
- 2) DECKS ARE DESIGNED TO WITHSTAND A LIVE LOAD OF 100 LB/SF.
- 3) FENCE WILL WITHSTAND A 200 LB. LOAD CONFORMING TO BOCA 421.9.2
- 4) ALL OPENINGS IN THE FENCE ARE LESS THEN 4"
- 5) PRODUCT MEETS OR EXCEEDS ALL REQUIREMENTS OF BOCA SECT. 421



	DESIGN GALLONAGE		A
	48" GAL.	52" GAL.	
ROUND 10'	2,350	2,550	10'-0"
12'-6"	3,650	4,000	12'-6"
15'	5,300	5,750	15'-0"
18'	7,600	8,250	18'-0"
21'	10,350	11,250	21'-0"
24'	13,550	14,650	24'-0"
24' HOP.	15,150	18,300	24'-0"
27'	17,150	18,550	27'-0"
27' HOP.	19,300	23,100	27'-0"
30'	21,150	22,900	30'-0"

NOT ALL POOL SIZES ARE AVAILABLE ON ALL MODELS.

OVAL SIZES	48" GAL.	52" GAL.	C	D	E
12'-6" x 18'-6"	5,950	6,400	12'-6"	18'-6"	18'-6"
12'-6" x 21'-6"	7,050	7,600	12'-6"	21'-6"	18'-6"
15' x 24'	9,350	10,100	15'-0"	24'-0"	21'-0"
15' x 30'	12,050	13,050	15'-0"	30'-0"	21'-0"
18' x 33'	15,700	17,000	18'-0"	33'-0"	24'-0"
18' x 45'	22,700	24,000	18'-0"	45'-0"	24'-0"
15' x 24' HOPPER	10,400	11,150	15'-0"	24'-0"	21'-0"
15' x 30' HOPPER	13,250	14,250	15'-0"	30'-0"	21'-0"
18' x 33' HOPPER	17,200	18,500	18'-0"	33'-0"	24'-0"
18' x 45' HOPPER	24,200	25,500	18'-0"	45'-0"	24'-0"



S.E. CONSULTANTS, INC.
 Scottsdale, Arizona

ESTHER WILLIAMS POOLS
 8600 RIVER ROAD
 DELAIR, NEW JERSEY 08110

CLASSIC, CAROUSEL, CARNIVAL,
 FESTIVAL, SUMMIT, MILLENNIUM,

SPEC014D | 12/7/98 | NTS | J D J