

# COMPLETE CLIMATE CONTROL SOLUTIONS FROM EBERSPÄCHER



JULY 2021



## QUICK-REFERENCE GUIDE



Eberspaecher heaters have become one of the most popular money saving products available in the heavy-duty truck market today.

Typical savings using an Airtronic S2 can be as much as \$6,000 per unit per year based on current fuel prices. Below you will find the most popular most popular selling kit numbers for our air and coolant heater models.

For a detailed listing of our complete product line including heater kits, accessories and controllers for heavy truck, light truck, school bus, industrial and oil field markets please see the following pages.

All the heater products mentioned on the Quick-Reference pages are EPA Verified compliant for worry-free operation anywhere in the United States.

### AIRTRONIC S2

DIESEL AIR HEATER / TRUCK BUNK HEATER

The Airtronic S2 puts out 7,500 BTU of clean comfortable heat and is ideal for bunk heating in all makes of heavy-duty trucks. It has a higher heat output than competitive models and is equipped with a standard fan-mode for nights when air circulation is preferred instead of heating.

The most popular Airtronic S2 kit is listed below. It comes with everything needed for installation including: Heater, EasyStart Pro, fuel system, mounting hardware kit and all ducting.

**Airtronic S2 – Install Kit with EasyStart Pro**

**20.2827.21.02.01**

Use of an engine pre-heater reduces cold start wear on internal components, reduces stress on the starting/cranking system, and can help extend DOC/DPF regen and replacement cycles by reducing cold-start white smoke.

### HYDRONIC S3 ECONOMY (5kW) PRE-HEATER SYSTEM

Eberspaecher, the leading system developer and supplier of vehicle heaters, is expanding its product portfolio with the new Hydronic S3 Economy (5kW) pre-heater. The water heater impresses thanks to its compact dimensions and flexible installation options for simple retrofitting in a large number of vehicle models. As a ground-breaking all-in-one solution with comprehensive peripheral devices, it offers installation partners many practical advantages. With the new EasyScan, diagnostic and service tool, workshop staff can analyze the operating condition of the pre-heater easily and quickly.

- Compact, efficient water heater
- Innovative peripheral devices and new diagnostic device
- Simplified installation

**Hydronic S3 Economy (5kW) Definition:**

**Hydronic:** Water & Electronic, Product line, water heater

**S3:** Size and generation, Size (small) Generation 3

**Economy:** Marketing appendix, entry model

**Compact and robust water heater for simple installation**

With the third generation of its Hydronic series, Eberspaecher is offering an easy-to-operate preheater with stepless heating power control. The coolant heater works efficiently with all popular types of fuel. Due to its robust construction – with an encapsulated fan motor and the separation of cold and hot components – it is designed for longevity.

A high IP protection class also secures the unit from the ingress of water during high-pressure or steam jet cleaning. The new water spigots are fully rotatable by 360 degrees and are fully replaceable, they ensure convenient and rapid fitting in a range of installation positions. Optimized brackets enable the pre-heater to be mounted anywhere in the smallest possible space and to be attached rapidly and permanently. (See page 16)

### HEATER INSTALLATION TIPS

For a time saving video showing a typical Class 8 truck installation for each of these products please visit the Eberspaecher website at [www.eberspaecher-na.com](http://www.eberspaecher-na.com) and see the links along the right side of the main Downloads page.

See your local dealer for special pricing on quantity purchases of money-saving Eberspaecher heaters.

1

1

2

3

4

5

## QUICK REFERENCE GUIDE

### Airtronic S2 (2.2 kW):

Heating comfort for a variety of applications.



Vans, small motor homes, small buses



Truck cabs with sleeping cabins and day cabs



Construction and agricultural machinery without engine-dependent heating



Forklifts and other plant machinery



Electric vehicles



Yachts up to approx. 22 ft long

### Airtronic M2 (4 kW):

The high-performance, compact air heater for mid-range requirements.



Large trucks – cabs with sleeping cabins



Vans, small buses



Large agricultural and construction machinery



Yachts up to approx. 35 ft long



Motor homes



Minivans, and vehicles used for conferences and consultancy

### Airtronic D5 / B5 (5.5 kW):

TRS-enabled, continuously variable, pre-selectable Interior temperature regulation.



Vans, workshop vehicles and personnel carriers, small buses (fast heating despite door opening frequently)



Ambulances and emergency medics' vehicles special heating and temperature requirements



Freight compartment and freight goods heating plus frost protection and dew point prevention



Yachts and ships up to approx. 45 ft long

### D8 LC (8kW):

Continuously variable, pre-selectable interior temperature regulation.



Large freight compartments, containers



Personnel carriers



Coaches and city buses



Ships up to around 62 ft long

1

1

2

3

4

5

## QUICK REFERENCE GUIDE

### Hydronic S3 (5 kW):

Cab and engine heater



Passenger cars



Emergency vehicles



Vans, large taxis, minivans



Commercial vehicles, including tandem configurations with air heaters



Construction and agricultural machines



Motor yachts up to around 25 ft long



Motor homes

### Hydronic M8 / M10 / M12 (8–12 kW):



Commercial vehicles from approx. 150 kW engine power



Cargo area heating



Military vehicles



Large agricultural and construction machinery



Motor yachts up to approx. 45 ft long



Motor homes

### Hydronic L16 / L24 / L30 / L35 (16–35 kW):



Coaches and city buses



Large freight compartments for goods which need to be kept warm



Container setups

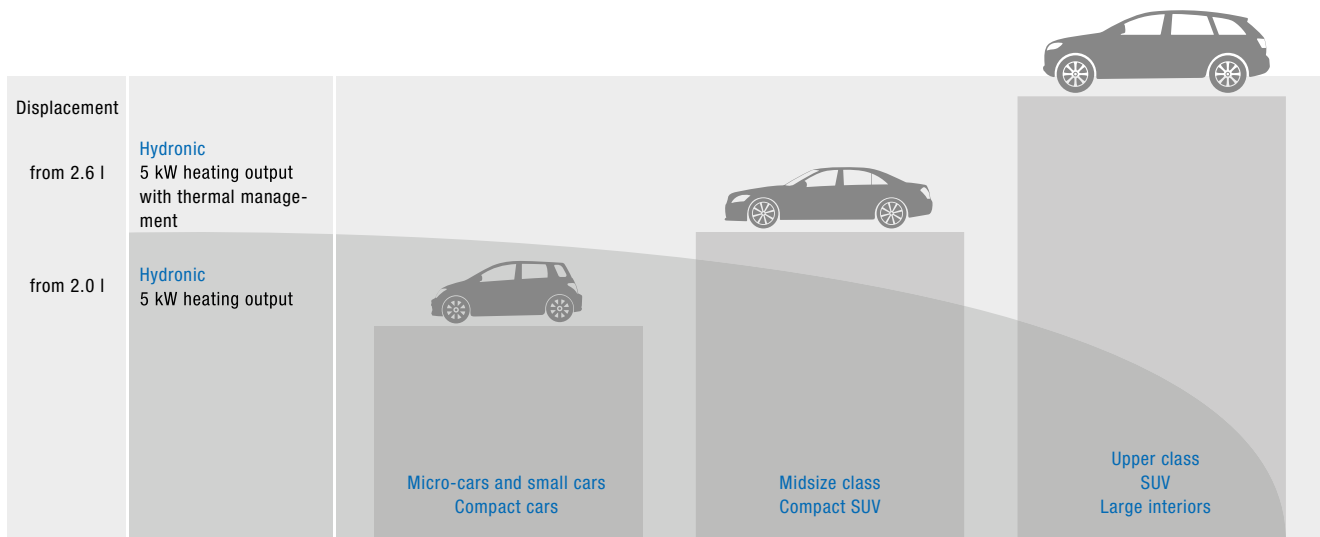


Diesel locomotives



Yachts and ships up to approx. 72 ft long

## QUICK-REFERENCE GUIDE



### Advantages:

- **Hydronic S3 Economy & Commercial (4 to 6 kW):** New bracket design plus straight and 90° angled water fittings (rotatable through 360°) which can be used in any combination for faster installation. New installation recommendations and kits are available.
- **Hydronic M2 (8 to 12 kW):** provide increased power for larger engines and cabins, e.g. large trucks, small buses, cargo areas.
- **Hydronic L (16 to 35 kW)** is ideally suited for buses, trains, boats and cargo areas.

### Advantages:

- **Multifuel E85:** The Hydronic 2 B5S and B5SC with fuel kit (E85 kit) for heating electric vehicles and multifuel vehicles.
- **Biodiesel:** Hydronic S3 Economy (up to 30 %), Hydronic M8 (100 %), Hydronic M10 / M12 (up to 20 %).
- **E10:** all (professionally installed) water heaters.

*Expert tips for installing the pressure-resistant metering pump: You need to know the fuel pressure. The return line must end just above the floor of the tank and must not be fitted with a check valve. Diesel vehicles can then be connected straight to the return line. Please also always take note of the technical description of the particular equipment.*

1

1

2

3

4

5

# QUICK-REFERENCE GUIDE

## INTRODUCTION PAGE

On the following pages you will find the entire offering of Eberspaecher heaters, heater kits, control options and accessories. Below are some tips on how to best choose the products you are looking for.

## PAGE LAYOUT

The Product Catalog is a complete listing of the products we sell.

In the heater section, you can trace the heater you are considering straight across to the dots in the columns on the right side of the page.

These columns have a header row showing the items offered - with the dots indicating which of them actually come in the kit being selected.

In the accessory section, you trace the accessory across to the dots on the far right to see what heaters that component is used with.

## HEATER CHOICES

Our heaters come in both 12 and 24 Volt offerings and in Gasoline (B prefix) and Diesel (D prefix) models.

When selecting a heater model, be sure to begin with the right voltage and fuel type for your application. The “Basic” heaters shown are just that, a bare heater, and are usually used as replacements. If a heater price seems too low, compared to other models, be sure it’s not a basic kit.

### RECOMMENDED

There are a variety of kits and components in the catalogue that may look similar. When more than one item is listed, look for the **RECOMMENDED** label. This indicates that item is one of the more commonly sold products of those that are listed. However, we want to make sure you get the right equipment for the job so if you are in doubt please don’t hesitate to call your local regional sales manager or our tech service department (800-387-4800) [help@eberspaecher.com](mailto:help@eberspaecher.com) for assistance.

### EMMISSIONS

Eberspaecher offers more EPA Verified / CARB Compliant heater choices than any other manufacturer. Look for the EPA label when selecting a heater for specific applications.

### AIRTRONIC HEATER KITS

Unless specified otherwise these kits are usually sold as complete with installation components. The variables are usually limited to multiple controller and fuel pickup choices. These are all noted in the kit description and in the columns on the right side of the page.

### HYDRONIC HEATER KITS

Unless otherwise noted these units are typically sold ala-carte – with the heater kit, timer/controller and even installation kits purchased separately to provide maximum installation flexibility. Always check the description and the kit component listing in the columns on the right side of the page.

### CONTROLLERS

Eberspaecher offers a variety of controllers for almost every heater model and application combination. The most popular air heater controller is the Digi-Max Controller and the EasyStart Timer, while the Programmable (school bus) timers are the most popular for coolant heaters.

School bus and/or industrial applications using coolant heaters may also choose to include the Multi-Function Switch.



## QUICK REFERENCE GUIDE

### FUEL PICKUP / FMP OPTIONS:

Eberspaecher makes a number of fuel pickup and fuel pump mounting options to help streamline installations.

Below you will find a summary of some of those choices.

- **UNIVERSAL PICKUP** – Unless designated otherwise, Eberspaecher heater kits that show to have a fuel pickup tube come with our “Universal Pickup.” This offers the flexibility of a typical drill-the-tank installation or the ability for installation in an existing NPT port on the fuel tank (if available).
- **NO PICKUP** – Kits marked “No Pickup” do not have a fuel pickup tube. A variety of pickup tubes, including those for specialty use or to be used with NPT compression fittings, are located in the fuel section. Choosing the right fuel pickup can save time and provide a custom installation.
- **VENT PICKUP** – Kits marked “Vent Pickup” come with a fuel pickup tube made for installation using the trucks fuel system vent port.
- **EXTERNAL / INTERNAL FMP** – The Eberspaecher FMP’s, or fuel metering pumps, can pull fuel 6’ and push it approximately 20’, thus the FMP needs to be located within 6’ of the primary fuel source.  
Coolant heater kits with an External FMP typically are used when the heater is located more than 6’ from the fuel source.

### BOXED:

Kits marked “Boxed” means the heater comes installed in a rugged metal enclosure for protection and long-life. The box is usually frame rail mounted but can also be used in a variety of industrial or heavy equipment applications. Eberspaecher’s large coolant heater models use a heavy-duty box and carries a direct replacement footprint for many legacy heaters in the field.

### SPECIALTY KITS:

Eberspaecher manufactures several specialty kits to provide the best heater life and maximum levels of reliability and safety for end-users.

- **HIGH ALTITUDE** – Eberspaecher provides a number of options to get the best performance from units operating at higher altitudes where the air is thin and heaters tend to run rich. These include: A full heater install kit - OR - a fuel metering pump adjusted for full-time high altitude operation or a plug-and/play module for leaning out fuel delivery.  
The latter two can be used to modify a standard heater kit for HA operation. All are geared toward heaters in applications spending longer amounts of time operating above 4,900 ft.



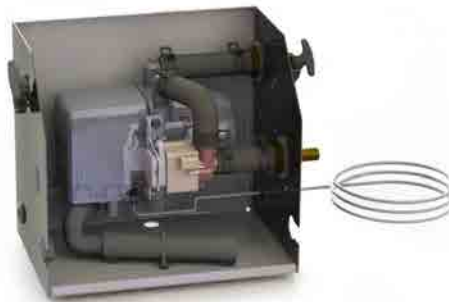
#### Note:

The latest generations, Ax2 and HS3 heaters do not need altitude kits.

### SPARE PARTS:

For all spare parts information, please reference heater’s “Spare Parts Manual”.  
<https://www.eberspaecher-na.com/download-center/technical-manuals.html>

Not all parts which are listed in the Airtronic S2-M2, Airtronic D5/B5, D8LC, Hydronic S3 CS, Hydronic M-II and Hydronic L-II parts manual are included in the respective heater kit part numbers provided in this product catalogue. Any additional parts not included in the heater kits provided in this product catalogue will have to be ordered separately (For example: Exhaust Muffler).



1

1

2

3

4

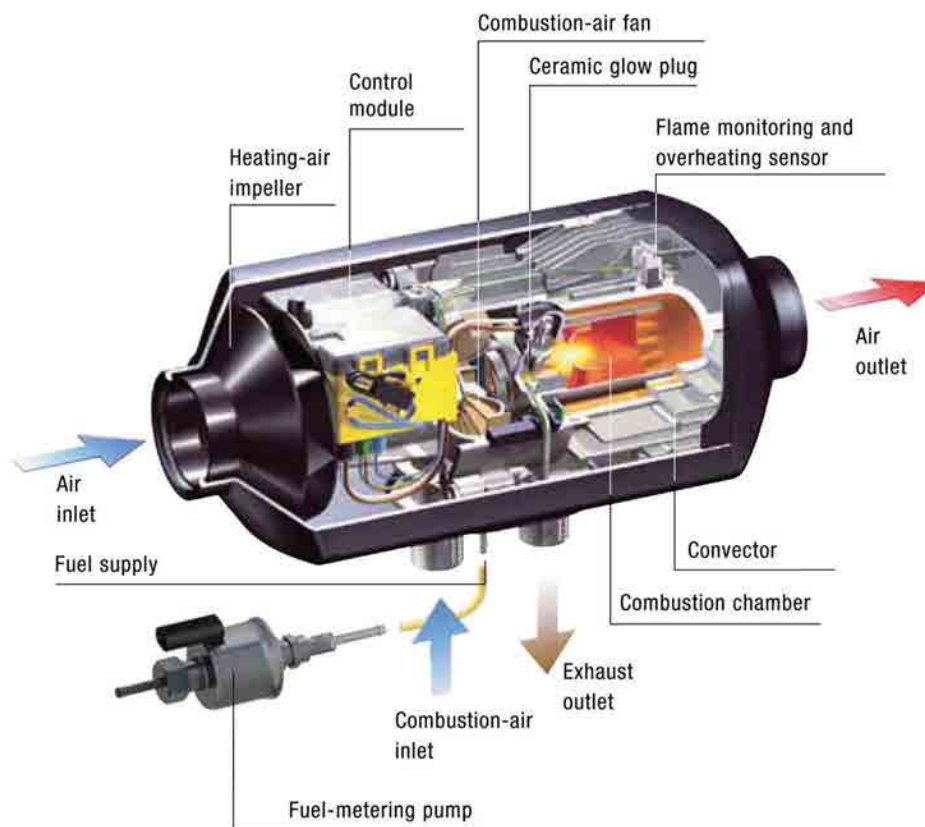
5

# TABLE OF CONTENTS

<b>I</b>	<b>INTRODUCTION TO THE HEATING SYSTEMS</b>	
	Quick Reference Guide	3 – 8
	Table of Contents	9
<b>1</b>	<b>AIR HEATERS</b>	
	Product Information	10
	AIRTRONIC S2 / M2 / B4	14
	AIRTRONIC L1 / B5 / D5	15
	D8LC	16
	ECHO 5 / ECHO 8 Cargo Kits	17
<b>2</b>	<b>COOLANT HEATERS</b>	
	Product Information	18
	HYDRONIC 3 D / B	24
	Pick-Up Truck Kits <i>(After Market)</i>	25
	HYDRONIC M-II, Spare parts	26
	HYDRONIC M-II, Basic Kits	27
	E-Guardian	28
	HYDRONIC L-II / 16 / 24 / 30 / 35	29
	HYDRONIC M-II L-II Boxed Off Highways Kits	30
<b>3</b>	<b>ACCESSORIES PARTS GUIDE</b>	
	Accessories Parts Guide Index	31
	Timers and Controllers Table	31 – 33
	Control Options and Timers	34
	Hydronic Heaters Control Options and Timers	35 – 36
	Testers, Adapters and Special Tools	37 – 39
	Fuel System	40 – 45
	Mounting Parts	46 – 51
	Fuse Holders, Fuses and Breakers	52
	Terminals and Connectors	53 – 55
	Power Converters 12V to 24V	56
	Exhaust	57 – 60
	Ducting	61 – 70
	Intake (Combustion Air)	71
	Coolant Pumps	72 – 73
	Plumbing	74 – 78
	Fuel System Guide	80
	Ducting Rating Guide	81 – 91
<b>4</b>	<b>ELECTRIC HEATERS</b>	
	Electric Heaters	92
<b>5</b>	<b>KALORI PRODUCTS</b>	
	Air conditioning	94 – 138
	Pressurization	139 – 141
	Electric Heaters	142 – 151
	Water Heaters	152 – 181
	Accessories	182 – 184

## PRODUCT INFORMATION

### AIRTRONIC: TECHNOLOGY



#### AIRTRONIC FUNCTIONS:

- 1
  - Combustion air is conveyed to the combustion chamber by the fan motor and impeller.
  - Fuel is drawn from the vehicle's tank.
- 1
  - Fuel is conveyed to the combustion chamber by the metering pump.
  - The glow element (filament glow plug from 5 kW) vaporizes this fuel as it enters the combustion chamber and creates a combustible fuel-air mix with the combustion air.
- 2
  - The resulting flame formation switches off the glow element (or filament glow plug), transfers the heat to the heating air via the convector, and diverts exhaust gas via the exhaust silencer.
- 3
  - The fan motor and heating-air impeller convey cool air to the heater, where it is warmed by the convector and then blown into the vehicle interior.

4

5

## PRODUCT INFORMATION

The heating output information provided refers to heating the interior of a cold vehicle to around 20 °C in cold outside temperatures. If the heater only needs to maintain the existing temperature of the interior, less heating power is required. The heating outputs are only guide values. The exact heating requirement also depends on other environmental conditions (e.g. wind, materials, cabin walls, heating-air ducting, etc.).

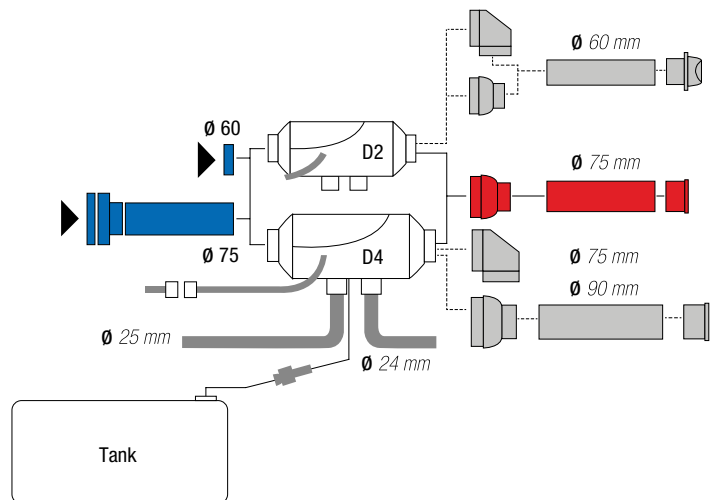
### GUIDE VALUES FOR REQUIRED HEATING OUTPUT

Example	Volume of interior	Outside temperature		
		< -15 °C	-15 °C to 0 °C	> 0 °C
Truck cabin	< 8 m <sup>3</sup>	4 kW	3 kW (2 kW)*	2 kW
Small bus	8 – 12 m <sup>3</sup>	5 kW (4 kW)*	4 kW (3 kW)*	2 kW
Motor home / van	12 – 20 m <sup>3</sup>	8 kW	6 kW (5 kW)*	4 kW
Yacht / boat	> 20 m <sup>3</sup>	see documentation: Marine catalog		



\* Values (referring to heat-insulated cabins / vehicles)



### AIRTRONIC FUNCTIONS:

- Airtronic D2: the smallest air heater on the market, advantageous in cramped installation spaces.
- Airtronic D4: output 4,000 W, air ducting 90 mm, for vans and suitably sized trucks; offers the advantage of high power within a reasonable installation space, wide range of applications, from 900 W (gasoline 1,300 W) to 4,000 W.
- Airtronic D3: in well insulated vehicles, 3,000 W, 90 mm air ducting, energy-saving benefits of 7 – 24 W which makes it quiet and fuel-efficient, wide-ranging application 900 – 3,000 W.
- Airtronic D4 Plus: generally for longer air ducting, with the advantage of a higher air flow volume with 90 and / or 75 mm ducting.



## PRODUCT INFORMATION

EBERSPÄCHER AIRTRONIC			
Heater		Airtronic S2 D2L	Airtronic S2 D2L
Order no.		25.2721.05.0000	25.2726.05.0000
Fuel		Diesel	Diesel
Voltage	V	12	24
Heating medium		Air	Air
Control / heat settings		Off/stepless: min.-max.	Off/stepless: min.-max.
Heat output	W	- / 850 / 2,200	- / 850 / 2,200
Fuel consumption	l/h	- / 0.1 / 0.28	- / 0.1 / 0.28
Elec. power consumption, operation	W	4 / 6 / 31	4 / 6 / 31
Elec. power consumption, start	W	≤ 100	≤ 100
Air flow volume w/hood 75 mm	kg/h	13 / 42 / 105	13 / 42 / 105
Lower voltage limit	V	10.5	21
Upper voltage limit	V	16	32
Interference suppression		Suppression class 5 to EN 55025	Suppression class 5 to EN 55025
Dimensions L x W x H	mm	310 x 115 x 122	310 x 115 x 122
Weight empty	kg	2.7	2.7
Ventilation mode		possible	possible

EBERSPÄCHER AIRTRONIC			
Heater		Airtronic M2 D4L	Airtronic M2 D4L
Order no.		25.2720.05.0000	25.2729.05.0000
Fuel		Diesel	
Voltage	V	12	24
Heating medium		Air	
Control / heat settings		Off/stepless: min.-max.	
Heat output	W	- / 900 / 4,000	- / 900 / 4,000
Fuel consumption	l / h	- / 0.11 / 0.51	- / 0.11 / 0.51
Elec. power consumption, operation	W	5 / 6 / 42	
Elec. power consumption, start	W	≤ 100	
Air flow volume w/hood 75 mm	kg/h	22 / 60 / 180	22 / 60 / 180
Lower voltage limit	V	10.5	21
Upper voltage limit	V	16	32
Interference suppression		Suppression class 5 to EN 55025	
Dimensions L x W x H	mm	376 x 140 x 150	376 x 140 x 150
Weight empty	kg	4.5	4.5
Ventilation mode		possible	

1

1

2

3

4

5

# PRODUCT INFORMATION



## EBERSPÄCHER AIRTRONIC

Heater	Airtronic B5	Airtronic D5	Airtronic D5
Product package	Heater	Heater	Heater
Techn. designation	Airtronic L (B5)	Airtronic L (D5)	Airtronic L (D5)
Order no. for heater	20.1859.05.0000	25.2361.05.0000	25.2362.05.0000
Fuel	Gasoline	Diesel	Diesel
Voltage V	12	12	24
Heating medium	Air	Air	Air
Control / heat settings	low / medium / high / power	low / medium / high / power	low / medium / high / power
Heat output W	2,000 / 2,700 / 4,800 / 5,500	1,600 / 2,700 / 4,800 / 5,500	1,600 / 2,700 / 4,800 / 5,500
Fuel consumption l / h	0.27 / 0.37 / 0.65 / 0.75	0.2 / 0.34 / 0.58 / 0.66	0.2 / 0.34 / 0.58 / 0.66
Elec. power consumption, operation W	15 / 30 / 80 / 85	25 / 35 / 80 / 85	25 / 35 / 80 / 85
Elec. power consumption, start W	250	250	250
Air flow volume w/o backpressure kg / h	125 / 180 / 275 / 280	155 / 190 / 275 / 280	155 / 190 / 275 / 280
Lower voltage limit V	10.5	10.5	21
Upper voltage limit V	16	16	32
Interference suppression	Disturbance class 5 (DIN EN 55025)	Disturbance class 5 (DIN EN 55025)	Disturbance class 5 (DIN EN 55025)
Dimensions L x W x H mm	530 x 170 x 185	530 x 170 x 185	530 x 170 x 185
Weight empty kg	9.3	9.3	9.3
Ventilation mode	available	available	available



## EBERSPÄCHER AIRTRONIC

Heater	D8 LC	D8 LC
Product package	Heater	Heater
Techn. designation	8 L (D8 LC)	8 L (D8 LC)
Order no. for heater	25.1890.00.0000	25.1891.00.0000
Fuel Diesel	Diesel	
Voltage V	12	24
Heating medium	Air	Air
Control / heat settings	low / high	low / high
Heat output W	3,500 / 8,000	3,500 / 8,000
Fuel consumption l / h	0.4 / 1.05	0.4 / 1.05
Elec. power consumption, operation W	115	115
Elec. power consumption, start W	330	380
Air flow volume w/o backpressure kg / h	310	310
Lower voltage limit V	10	20
Upper voltage limit V	14	28
Interference suppression	Long-distance (additional measures possible)	Long-distance (additional measures possible)
Dimensions L x W x H mm	653 x 260 x 250	653 x 260 x 250
Weight empty kg	14	14
Ventilation mode	available	available

1

1

2

3

4

5

## AIRTRONIC S2/M2 DIESEL AIR HEATER - 7,500 BTU / 13,600 BTU

### AIRTRONIC S2/M2

S2 D2L 12V Commercial with fuel pump - No installation parts	25.2721.05.0000
S2 D2L 24V Commercial with fuel pump - No installation parts	25.2726.05.0000
M2 D4L 12V Commercial with fuel pump - No installation parts	25.2720.05.0000
M2 D4L 24V Commercial with fuel pump - No installation parts	25.2729.05.0000
M2 D4R 12V with fuel pump - No installation parts*	25.2746.05.0000

### AIRTRONIC S2/M2 HEATER WITH INSTALLATION KIT

S2 D2L Install Kit 12V	20.2827.21.0200
S2 D2L Install Kit 12V w/ EasyStart Pro and Universal pick up pipe <b>RECOMMENDED</b>	20.2827.21.0201
S2 D2L Install Kit 24V	20.2827.26.0200
M2 D4L Install Kit 12V	20.2827.20.0400
M2 D4L Install Kit 24V	20.2827.29.0400

\* M2 D4R heater is intended for use on installations with high duct ratings. Installation parts need to be selected from Heater's manual. This high duct rating heater has higher power consumption than the standard D4L heater.

Heater	Harness	Fuel System	Ducting	Mounting Bracket	Control Options / Timers	Fuel Pickup Pipe	Hardware Kit	Exhaust Pipe	Intake Pipe	Manuals
■										■
■										■
■										■
■										■
■										■
■	■	■	■	■	■	■	■	■	■	■
■	■	■	■	■	■	■	■	■	■	■
■	■	■	■	■	■	■	■	■	■	■
■	■	■	■	■	■	■	■	■	■	■

## AIRTRONIC M2 B4 GASOLINE AIR HEATER - 13,600 BTU

### AIRTRONIC M2 B4 - GASOLINE

Gasoline M2 B4L 12V Commercial with fuel pump	20.1987.05.0000
---	-----------------

### AIRTRONIC M2 B4 - GASOLINE HEATER WITH INSTALLATION KIT

M2 B4L 12V Install Kit	20.2819.87.0400
------------------------	-----------------

### RETURN AIR KIT

60mm D2 Airtronic	20.2800.50.0202
75mm B/D4 Airtronic	20.2800.50.0400

Heater	Harness	Fuel System	Ducting	Mounting Bracket	Control Options / Timers	Fuel Pickup Pipe	Hardware Kit	Exhaust Pipe	Intake Pipe	Manuals
■										■
■										■
■										■
■										■
■										■
■	■	■	■	■	■	■	■	■	■	■
■	■	■	■	■	■	■	■	■	■	■
■	■	■	■	■	■	■	■	■	■	■

■ Item in the Kit



#### HARDWARE KIT INCLUDES:

- |                |                  |
|----------------|------------------|
| Fuel Clamps    | Mounting Screws  |
| Nuts           | Ducting Clamps   |
| Cable Ties     | Washers          |
| Grommets       | Routing Clamps   |
| Exhaust Clamps | End Caps         |
|                | Exhaust Brackets |

#### FUEL SYSTEM INCLUDES:

- Clamps
- 5 mm Fuel Line
- Plastic Fuel Line
- 3.5 mm Fuel Line

Refer to the Accessories Section for ducting components and additional accessories.  
Refer to heater manual for individual installation parts.

# AIRTRONIC L1/B5 GASOLINE AIR HEATER - 18,800 BTU

# AIRTRONIC L1/D5 DIESEL AIR HEATER - 18,800 BTU

		Heater	Harness	Fuel System	Ducting	Mounting Bracket	Control Options / Timers	Fuel Pickup Pipe	Hardware Kit	Exhaust Pipe	Intake Pipe	Manuals
<b>AIRTRONIC L1/B5 - GASOLINE</b>												
Basic Heater 12V with fuel pump with outlet hood	20.1859.05.0000	■										■
<b>AIRTRONIC L1/D5 - DIESEL</b>												
Basic Heater 12V with fuel pump with outlet hood	25.2361.05.0000	■										■
Basic Heater 24V with fuel pump with outlet hood	25.2362.05.0000	■										■
<b>UNIVERSAL INSTALL KITS</b>												
JE Universal Installation Kit 12V and 24V	25.2361.80.0000		■	■	■				■	■	■	
Universal Installation Kit 12V and 24V (D5 Heater w/90 mm duct)	20.2823.61.0580		■	■	■			■	■	■	■	
<b>AIRTRONIC D5 TRUCK KITS - DIESEL</b>												
D5 Heater Truck kit 12V	20.2823.61.0510	■	■	■		■		■	■	■	■	■
D5 Heater Truck kit 12V w/ Digi Max	20.2823.61.0511	■	■	■			■	■	■	■	■	■

■ Item in the kit



**HARDWARE KIT INCLUDES:**

- Fuel Clamps
- Exhaust Clamps
- Washers
- Exhaust Brackets
- Nuts
- Mounting Screws
- Routing Clamps
- End Caps
- Cable Ties
- Ducting Clamps

**FUEL SYSTEM INCLUDES:**

- Clamps
- 5 mm Fuel Line
- Plastic Fuel Line
- 3.5 mm Fuel Line

Refer to the Accessories Section for ducting components and additional accessories.  
Refer to heater manual for individual installation parts.



# D8LC

## DIESEL AIR HEATER - 27,300 BTU

**PLEASE NOTE:**

- No installation kits available for this heater.

D8LC		
Basic Heater 12 volt		25.1890.00.0000
INCLUDES:	Control Unit Fuel Pump Rheostat Switch External Temperature Sensor Combustion Air Tube Shock Mounts Mounting Bracket (large) Mounting Bracket (small)	
Basic Heater 24 volt		25.1891.00.0000
INCLUDES:	Control Unit Fuel Pump Rheostat Switch External Temperature Sensor Combustion Air Tube Shock Mounts Mounting Bracket (large) Mounting Bracket (small)	
Accessories		
Harness	External Harness 20 feet	20.2900.70.0802
Fuel	Fuel line 5.0mm black rubber, suction side Fuel line 2.0mm white plastic, pressure side Fuel line connector piece 3.5mm for 2mm fuel line Fuel pick-up pipe 4mm Clamp 9mm for 3.5mm hose Clamp 11mm for 5mm hose	360 75 350 890 31 055 360 75 300 20.2900.20.2050 10.2068.00.9098 10.2068.01.1098
Exhaust	Flexible stainless steel exhaust 42mm Exhaust clamp Flexible air intake 30mm SPECIAL ORDER Exhaust end cap for 42"	5530013 152 09 004 10.2114.25.0000 22.1000.40.0200
Controls	Thermostat 12 volt Thermostat 24 volt	5670097 5670096

1

1

2

3

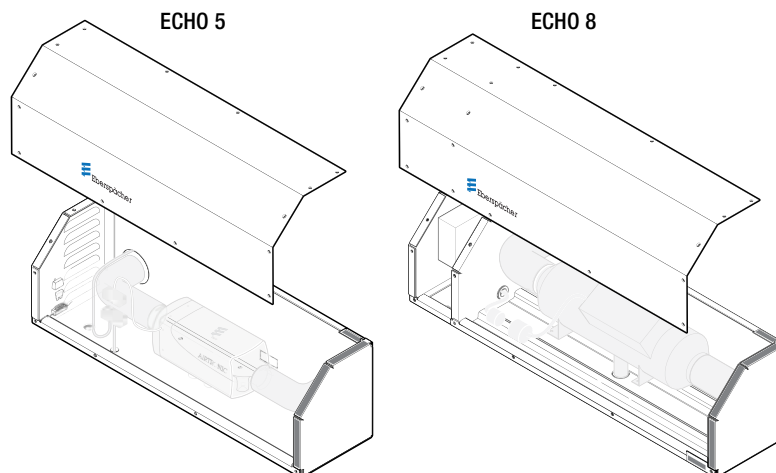
4

5

Refer to the Accessories Section for ducting components and additional accessories.

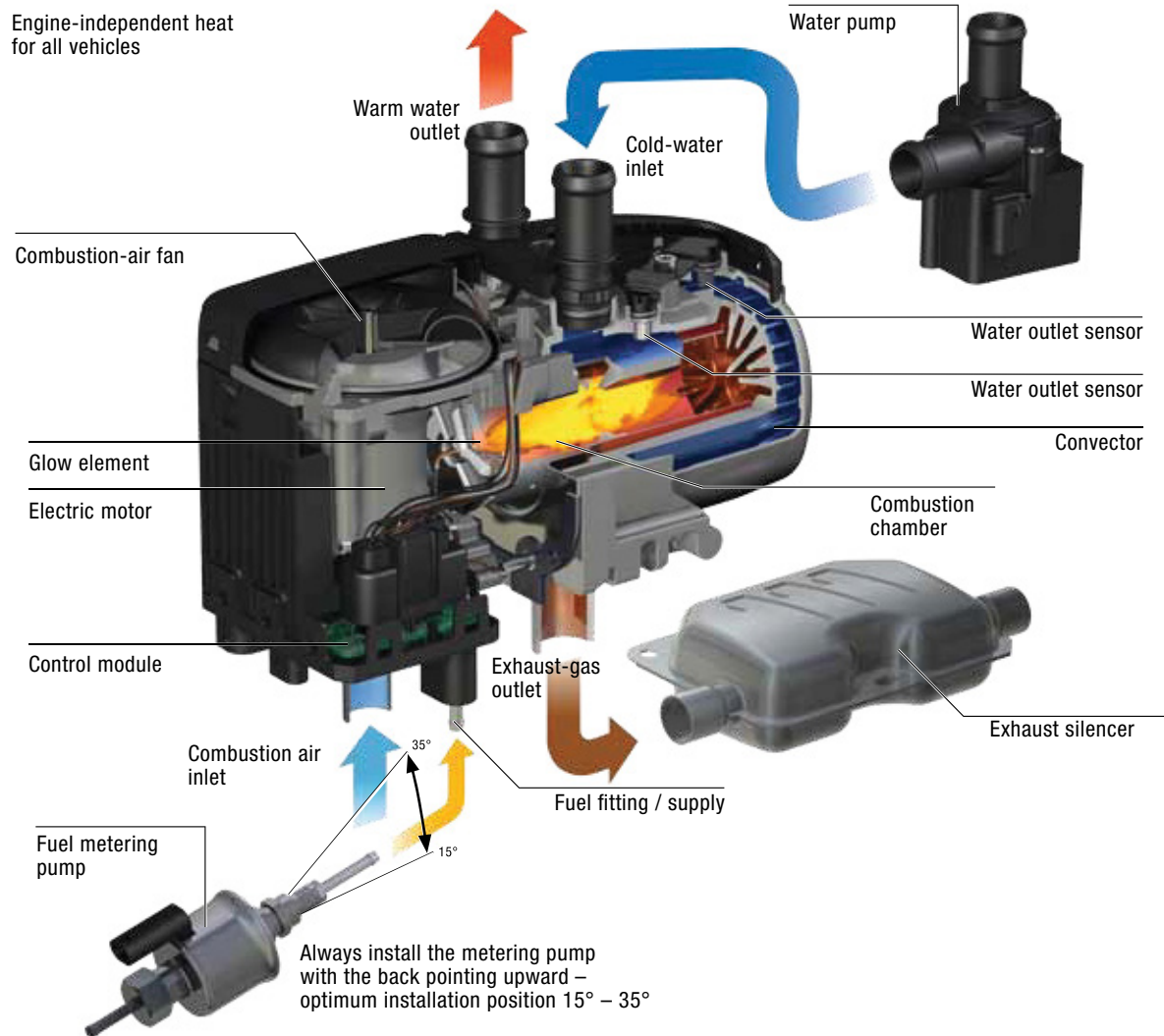
# CARGO KITS

<b>Airtronic 4 cargo installation kit:</b>		<b>20.2900.00.0401</b>	
<b>INCLUDES:</b>	Harness, Air duct, Fuel pick up pipe, Exhaust pipe with plate, hardware kit	Thermostat, Fuel system, Cargo mounting bracket, Intake pipe,	
<b>Airtronic 5 cargo installation kit:</b>		<b>20.2900.00.0550</b>	
<b>INCLUDES:</b>	Harness, Fuel system, Cargo mounting bracket, Intake pipe,	Digi-Max D1000, Fuel pick up pipe, Exhaust pipe with plate, hardware kit	
<b>ECHO 5 (AIRTRONIC B5/D5 HEATER Nose Mount)</b>		<b>20.2818.59.0520</b>	<b>ECHO B5 ASSEMBLY (12V)</b>
<b>INCLUDES:</b>	Mounting Bracket Exhaust shield Fuel metering pump and Mounting box DIGI MAX Controller with remote temp sensor	Harness Fuel lines Air Ducting Fuel Pickup pipe	20.2823.61.0519 ECHO 5 ASSEMBLY (12V) 20.2823.61.0520 ECHO 5 HYBRID (12V /110 V AC)
<b>ECHO 8 (D8LC Nose Mount)</b>			
<b>INCLUDES:</b>	Mounting Box Mounting Bracket Exhaust shield Fuel metering pump and Mounting box DIGI MAX Controller with remote temp sensor	Heater Harness Fuel lines Air Ducting Fuel Pickup pipe	20.2818.90.0832 ECHO 8 ASSEMBLY (12V/110 V AC)
<b>REPLACEMENT PARTS</b>			
	ECHO 8/5H Mounting Box - Lid	20.2900.40.8002	
	Exhaust Shield - L Bracket - ECHO 8/5H	20.2900.40.8003	
	ECHO 8/5H Mounting Bracket	20.2900.40.8004	
	Power Receptable Box ASSY ECHO 8/5H	20.2900.40.8005	
	ECHO 8/5H Mounting Box - Base	20.2900.40.8006	
	Lid ECHO 5 Box White	20.2900.40.0502	
	Exhaust Shield - L Bracket - ECHO 5	20.2900.40.0503	
	ECHO 5 Mounting Bracket	20.2900.40.0504	
	ECHO 5 Mounting Box - Base	20.2900.40.0506	



## PRODUCT INFORMATION

### HYDRONIC S3 ECONOMY: TECHNOLOGY

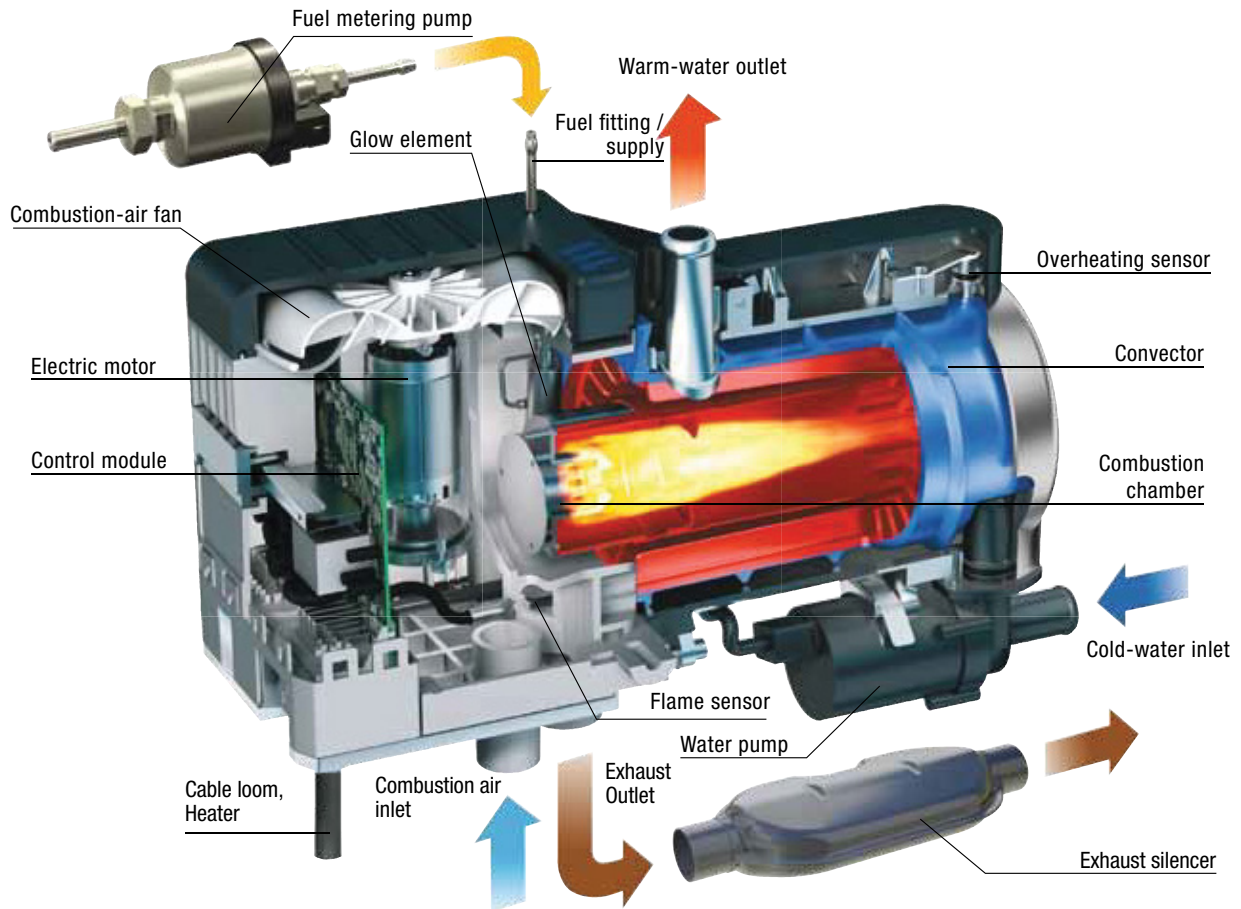


### HYDRONIC S3 ECONOMY\* FUNCTIONS:

- 1
- 1
- 2
  - Combustion air is conveyed to the combustion chamber by the fan motor and impeller.
- 3
  - Fuel is drawn from the vehicle's tank.
  - Fuel is conveyed to the combustion chamber by the metering pump (reciprocating pump).
- 4
  - The glow element vaporizes this fuel as it enters the combustion chamber and creates a combustible fuel-air mix with the combustion air.
  - The resulting flame formation switches off the glow element, transfers the heat to the cooling water via the convector, and diverts exhaust gas via the exhaust silencer.
- 5
  - The cooling water circulation pump conveys cool water to the heater, where it is warmed by the convector and then routed to the vehicle's convector and combustion engine.

## PRODUCT INFORMATION

### HYDRONIC M: TECHNOLOGY



#### HYDRONIC M FUNCTIONS:

- Combustion air is conveyed to the combustion chamber by the fan motor and impeller.
- Fuel is drawn from the vehicle's tank.
- Fuel is conveyed to the combustion chamber by the metering pump (reciprocating pump).
- The glow element vaporises this fuel as it enters the combustion chamber and creates a combustible fuel-air mix with the combustion air.
- The resulting flame formation switches off the glow element, transfers the heat to the cooling water via the convector, and diverts exhaust gas via the exhaust silencer.
- The cooling water circulation pump conveys cool water to the heater, where it is warmed by the convector and then routed to the vehicle's own convector and combustion engine.

1

1

2

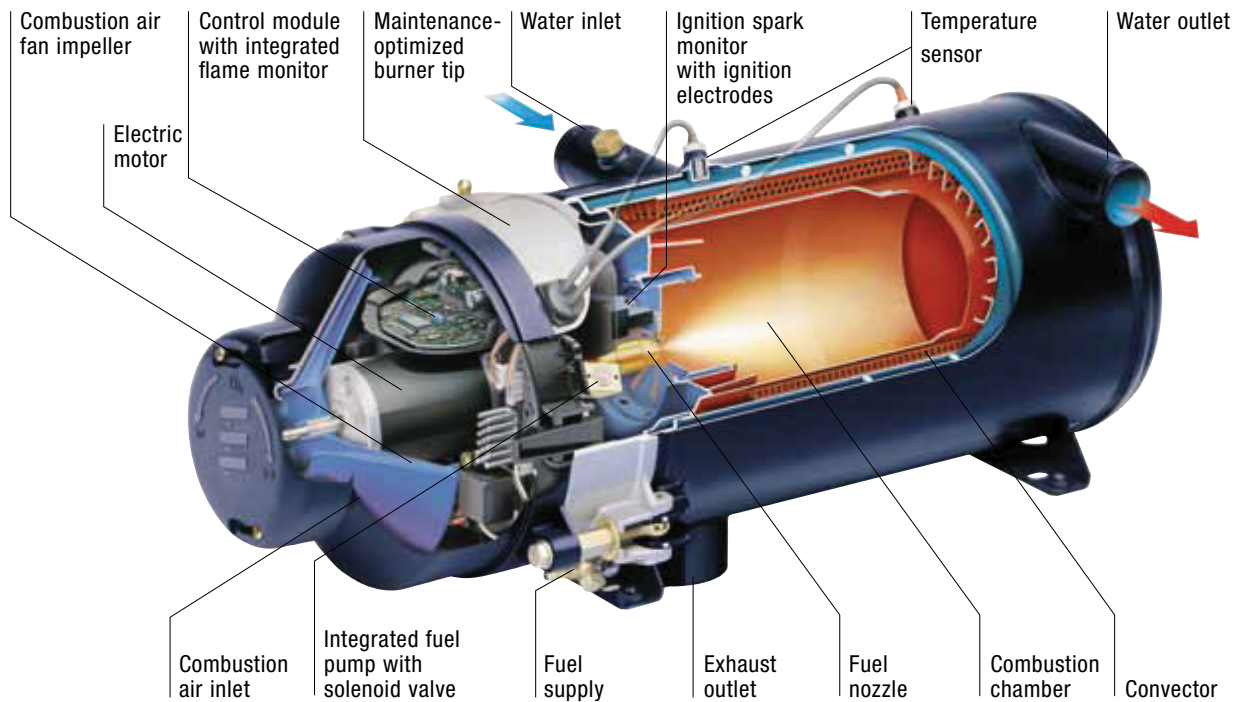
3

4

5

## PRODUCT INFORMATION

### HYDRONIC L: TECHNOLOGY



#### HYDRONIC L FUNCTIONS:

- Combustion air is conveyed to the combustion chamber by the fan motor and impeller.
- A gear pump conveys fuel from the vehicle's tank and builds up pressure against the closed solenoid valve.
- The solenoid valve opens and the fuel is atomized by the fuel nozzle in the combustion chamber / flame tube.
- The ignition spark monitor ignites the fuel-air mix.
- The resulting flame detection by an optical flame sensor switches off the ignition spark monitor, transfers the heat to the cooling water via the convector, and diverts exhaust gas via the exhaust silencer.
- The cooling water circulation pump conveys cool water to the heater, where it is warmed by the convector and then routed to the vehicle's own convector and combustion engine.

1

1

2

3

4

5

# PRODUCT INFORMATION



## EBERSPÄCHER HYDRONIC

Heater	Hydronic S3 Economy	Hydronic S3 Economy	Hydronic S3 Economy	Hydronic S3 Economy
Product package	Heater	Heater	Heater	Heater
Techn. designation	Hydronic HS3 CS Economy B5E	Hydronic HS3 CL Economy B5E	Hydronic HS3 CS Economy D5E	Hydronic HS3 CL Economy D5E
Order no. for heater	20.2051.05.0000	20.2048.05.0000	25.2993.05.0000	25.2971.05.0000
Order no. for heater with PRMP*	–	–	25.2994.05.0000	25.2990.05.0000
Fuel	Gasoline	Gasoline	Diesel	Diesel
Voltage V	12	12	12	12
Heating medium	Mixture of water and anti-freeze (Proportion of antifreeze at least 10 % up to 50 % maximum)			
Control / heat settings	Infinitely variable	Infinitely variable	Infinitely variable	Infinitely variable
Heat output W	1,800 to 5,000	1,800 to 5,000	1,300 to 5,000	1,300 to 5,000
Fuel consumption l / h	0.23 / 0.67	0.23 / 0.67	0.15 / 0.59	0.15 / 0.59
Power consumption, heater W	7 / 32	7 / 32	5 / 32	5 / 32
Power consumption, water pump W	17	17	17	17
Elec. power consumption, start W	135	135	135	135
Minimum water throughput l / h	300	300	300	300
Lower voltage limit V	10.5	10.5	10.5	10.5
Upper voltage limit V	16	16	16	16
Protection rating	Heater: IP5K6K, IP5K9K, Control module: IP6K6K, IP6K9K		Heater: IP5K6K, IP5K9K, Control module: IP6K6K, IP6K9K	
Dimensions L x W x H mm	215 x 91 x 124	215 x 91 x 124	215 x 91 x 124	215 x 91 x 124
Weight empty kg	2.0	2.0	2.0	2.0



## EBERSPÄCHER HYDRONIC

Heater	HS3 CS D6L Commercial			
Product package	Heater			
Order no. for heater	25.2972.05.0000			
Fuel	Diesel – standard commercially available (EN 590) Blending with max. 30 % FAME according to EN 14214 is permitted.			
Voltage V	24			
Heating medium	Mixture of water and anti-freeze (Proportion of antifreeze at least 10 % up to 50 % maximum)			
Control / heat settings	Minimum / Maximum			
Heat output W	1,300 / 5,600			
Fuel consumption l / h	0.15 / 0.65			
Power consumption, heater W	5 / 37			
Power consumption, water pump W	11			
Elec. power consumption, start W	135			
Minimum water throughput l / h	300			
Lower voltage limit V	20.4			
Upper voltage limit V	32			
Interference suppression	5 (DIN EN 55025)			
Dimensions L x W x H mm	215 x 91 x 124			
Weight empty kg	2.0			

\*PRMP: Pressure resistant metering pump

## PRODUCT INFORMATION



### EBERSPÄCHER HYDRONIC

Heater	Hydronic M8 Biodiesel	Hydronic M8 Biodiesel	Hydronic M10	Hydronic M10
Product package	Heater	Heater	Heater	Heater
Techn. designation	Hydronic M-II (D8W)	Hydronic M-II (D8W)	Hydronic M-II (D10W)	Hydronic M-II (D10W)
Order no. for heater	25.2470.05.0000	25.2471.05.0000	25.2434.05.0000	25.2435.05.0000
Fuel	Diesel and FAME (biodiesel)	Diesel and FAME (biodiesel)	Diesel	Diesel
Voltage V	12	24	12	24
Heating medium	Mixture of water and anti-freeze (Proportion of antifreeze at least 10 % up to 50 % maximum)			
Control / heat settings	low / medium / high / power	low / medium / high / power	low / medium / high / power	low / medium / high / power
Heat output W	1,500 / 3,500 / 5,000 / 8,000	1,500 / 3,500 / 5,000 / 8,000	1,500 / 3,500 / 8,000 / 9,500	1,500 / 3,500 / 8,000 / 9,500
Fuel consumption l / h	0.18 / 0.4 / 0.65 / 0.9	0.18 / 0.4 / 0.65 / 0.9	0.18 / 0.4 / 0.9 / 1.2	0.18 / 0.4 / 0.9 / 1.2
Power consumption, heater W	6 / 10 / 17 / 26	6 / 10 / 17 / 26	6 / 10 / 31 / 57	6 / 10 / 31 / 57
Power consumption, water pump W	29	29	29	29
Elec. power consumption, start W	200	200	120	120
Minimum water throughput l / h	500	500	500	500
Lower voltage limit V	10	20	10	20
Upper voltage limit V	15	30	15	30
Interference suppression	5 (DIN EN 55025)	5 (DIN EN 55025)	5 (DIN EN 55025)	5 (DIN EN 55025)
Dimensions L x W x H mm	331 x 138 x 221	331 x 138 x 221	331 x 138 x 221	331 x 138 x 221
Weight empty kg	6.2	6.2	6.2	6.2







### EBERSPÄCHER HYDRONIC

Heater	Hydronic M12	Hydronic M12
Product package	Heater	Heater
Techn. designation	Hydronic M-II (D12W)	Hydronic M-II (D12W)
Order no. for heater	25.2472.05.0000	25.2473.05.0000
Fuel	Diesel	Diesel
Voltage V	12	24
Heating medium	Mixture of water and anti-freeze (Proportion of antifreeze at least 10 % up to 50 % maximum)	
Control / heat settings	low / medium 1 / medium 2 / medium 3 / high / power	low / medium 1 / medium 2 / medium 3 / high / power
Heat output W	1,200 / 1,500 / 3,500 / 5,000 / 9,500 / 12,000	1,200 / 1,500 / 3,500 / 5,000 / 9,500 / 12,000
Fuel consumption l / h	0.15 / 0.18 / 0.4 / 0.65 / 1.2 / 1.5	0.15 / 0.18 / 0.4 / 0.65 / 1.2 / 1.5
Power consumption, heater W	5 / 6 / 10 / 17 / 57 / 103	5 / 6 / 10 / 17 / 57 / 103
Power consumption, water pump W	29	29
Elec. power consumption, start W	120	120
Minimum water throughput l / h	500	500
Lower voltage limit V	10	20
Upper voltage limit V	15	30
Interference suppression	5 (DIN EN 55025)	5 (DIN EN 55025)
Dimensions L x W x H mm	331 x 138 x 221	331 x 138 x 221
Weight empty kg	6.2	6.2

## PRODUCT INFORMATION

### EBERSPÄCHER HYDRONIC

				
Heater	Hydronic L16 Heater	Hydronic L24 Heater	Hydronic L30 Heater	Hydronic L35 Heater
Product package	Hydronic L-II (HL2-16)	Hydronic L-II (HL2-24)	Hydronic L-II (HL2-30)	Hydronic L-II (HL2-35)
Order no. for heater	25.2486.02.0000	25.2487.02.0000	25.2599.02.0000	25.2600.02.0000
Order no. for compact heater	–	–	25.2599.05.0000	25.2600.05.0000
Fuel	Diesel and fuel oil	Diesel and fuel oil	Diesel and fuel oil	Diesel and fuel oil
Voltage V	24	24	24	24
Heating medium	Mixture of water and anti-freeze (Proportion of antifreeze at least 10 % up to 50 % maximum)			
Heat output W	16,000	24,000	30,000	35,000
Fuel consumption l / h	2	2.9	3.65	4.2
Power consumption, heater W	60	80	105	120
Power consumption, water pump W	104 – 210*	104 – 210*	104 – 210*	104 – 210*
Minimum water throughput l / h	1,400	2,000	2,600	3,000
Lower voltage limit V	20	20	20	20
Upper voltage limit V	30	30	30	30
Dimensions L x W x H mm	600 x 230 x 222	600 x 230 x 222	600 x 230 x 222	600 x 230 x 222
Weight empty** kg	18	18	18	18

\* depending on the water pump model

### EBERSPÄCHER WATER PUMPS FOR HYDRONIC L

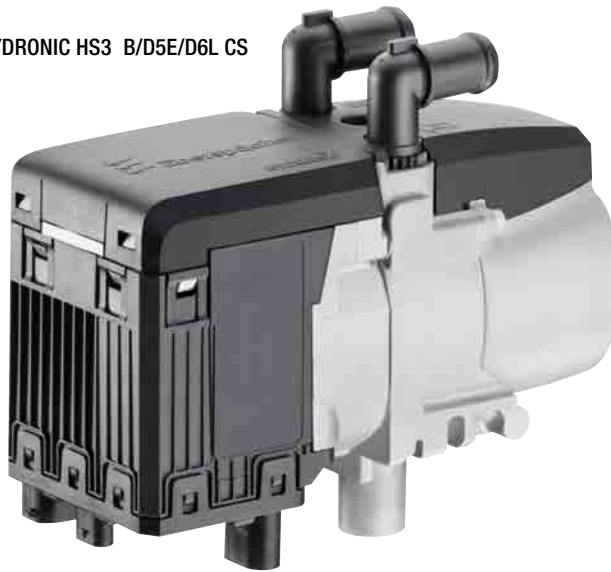
		
Water pumps	Flowtronic 5000	Flowtronic 6000 SC
Order no. for water pump	25.2488.26.0000	25.2488.25.0000
Coolant	Water-glycol mix with up to max 50 % glycol	Water-glycol mix with up to max 50 % glycol
Delivery rate l / h	5,200 at 0.2 bar	6,000 at 0.4 bar
Operating pressure bar	max. 2	max. 2
Nominal voltage V	24	24
Elec. power consumption W	104	210
Protection class	IP5K4	IP25 (potted electronics)
Dry running	No	Yes – motor switches itself off after 45 minutes
Shaft-impeller connector	Mechanical seal	Magnetic coupling
Weight empty* kg	2.04	2.5

# HYDRONIC HS3 CS COOLANT HEATER - 17,100 BTU

		Heater	Harness	Fuel System	Coolant Hose	Mounting Bracket	Control Options / Timers	Fuel Pickup Pipe	Hardware Kit	Exhaust Pipe	Intake Pipe	Boxed	Manuals
<b>HYDRONIC HS3 D5E/D6L CS - DIESEL</b>													
D5E 12V Economy with FMP and water pump - No installation parts	25.2993.05.0000	■											■
D6L 24V Commercial with FMP and water pump - No installation parts	25.2972.05.0000	■											■
<b>HYDRONIC HS3 D5E/D6L CS - DIESEL HEATER WITH INSTALLATION KIT</b>													
Install Kit HS3 CS D5E 12 V	25.2829.34.0500	■	■	■	■	■			■	■	■	■	■
Install Kit HS3 CS D5E Boxed 12 V Right	25.2829.34.0501	■	■	■	■	■	■		■	■	■	■	■
Install Kit HS3 CS D6L 24 V	25.2827.45.0600	■	■	■	■	■			■	■	■	■	■
Install Kit HS3 CS D6L Boxed 24 V Right	25.2827.45.0601	■	■	■	■	■	■		■	■	■	■	■
<b>HYDRONIC HS3 B5E CS - GASOLINE</b>													
B5E 12V Economy with FMP and water pump - No installation parts	20.2051.05.0000	■											■
<b>HYDRONIC HS3 B5E CS - GASOLINE HEATER WITH INSTALLATION KIT</b>													
Install Kit HS3 CS B5E 12 V	25.2820.51.0500	■	■	■	■	■			■	■	■	■	■

■ Item in the kit

HYDRONIC HS3 B/D5E/D6L CS



- 1
- 1
- 2
- 3
- 4
- 5

**HARDWARE KIT INCLUDES:**

- |             |                 |                |                  |
|-------------|-----------------|----------------|------------------|
| Fuel Clamps | Grommets        | Ducting Clamps | End Caps         |
| Nuts        | Exhaust Clamps  | Washers        | Exhaust Brackets |
| Cable Ties  | Mounting Screws | Routing Clamps |                  |

**FUEL SYSTEM INCLUDES:**

- Clamps
- 5 mm Fuel Line
- Plastic Fuel Line
- 3.5 mm Fuel Line

Refer to the Accessories Section for ducting components and additional accessories.

# PICK-UP TRUCK KITS HYDRONIC HS3 - 17,100 BTU

GAS KITS						Heater	Harness	Fuel System	Mounting Bracket	Control Device	Fuel Pickup Pipe	Hardware Kit	Exhaust Pipe	Intake Pipe	Blower Control Option	Manuals
Make	Model	Engine	M/Y													
<b>Heater HS3 B5E 12V CL</b>																
Installation kit ES Dodge	Dodge	RAM	5.7L V8	2017 and up	24.2048.05.0000											
<b>HS3 B5E 12V CS</b>																
Installation kit ES Dodge	Dodge	RAM	5.7L V8	2018 and up	24.2051.05.0000											
Installation kit ES Dodge	Dodge	RAM	6.4L V8	2019 and up	24.8000.35.0019											
<b>DIESEL KITS</b>																
<b>Heater HS3 D5E 12V CL w. prepr. MP</b>																
<b>Heater HS3 D5E 12V CL w. PRMP*</b>																
Installation Dodge	Dodge	RAM	6.7L L6	2017 and up	25.2921.05.0000											
<b>Heater HS3 D5E 12V CS w. prepr.MP</b>																
<b>Heater HS3 D5E 12V CS w. PRMP*</b>																
Installation kit	Dodge	RAM	6.7L L6	2019 and up	25.2942.05.0000											
<b>RELATED PARTS</b>																
<b>EasyStart Timer (For HS3 CL heaters)</b>																
<b>Control Kit Wi-Fi Remote</b>																
<b>EasyStart PRO Controller (for HS3 CS heaters)</b>																

\*PRMP: Pressure resistant metering pump

■ Item in the kit



**HARDWARE KIT INCLUDES:**

- Fuel Clamps
- Grommets
- Ducting Clamps
- End Caps
- Nuts
- Exhaust Clamps
- Washers
- Exhaust Brackets
- Cable Ties
- Mounting Screws
- Routing Clamps

**FUEL SYSTEM INCLUDES:**

- Clamps
- 5 mm Fuel Line
- Plastic Fuel Line
- 3.5 mm Fuel Line

Refer to the Accessories Section for ducting components and additional accessories.

1  
1  
2  
3  
4  
5

# HYDRONIC M-II

SERIES: 27,300, 32,450, 42,000 BTU

		Heater	Harness	Fuel System	Coolant Hose	Mounting Bracket	Control Options / Timers	Fuel Pickup Pipe	Hardware Kit	Exhaust Pipe	Intake Pipe	Boxed	Manuals
<b>HYDRONIC 10 / M</b>													
HYDRONIC M8 biodiesel 12 volt	25.2470.05.0000	■											■
HYDRONIC M8 biodiesel 24 volt	25.2471.05.0000	■											■
HYDRONIC M10 12 volt	25.2434.05.0000	■											■
HYDRONIC M10 24 volt	25.2435.05.0000	■											■
HYDRONIC M12 12 volt	25.2472.05.0000	■											■
HYDRONIC M12 24 volt	25.2473.05.0000	■											■
HYDRONIC M12 24 volt w/Hella	25.2725.05.0000	■											■
HYDRONIC M12 12 volt Boxed Kit	25.2824.72.1210	■	■	■		■		■	■	■	■	■	■
HYDRONIC M12 24 volt Boxed Kit	25.2824.73.1210	■	■	■		■		■	■	■	■	■	■
HYDRONIC M12 12 volt Boxed Kit w/high Capacity Pump	25.2824.72.0012	■	■	■		■		■	■	■	■	■	■
HYDRONIC M12 24 volt Boxed Kit w/high Capacity Pump	25.2824.73.0024	■	■	■		■		■	■	■	■	■	■
<b>UNIVERSAL INSTALLATION KITS</b>													
Eberspaecher Universal Install 12V with diagnostic connection	25.2800.90.1012		■	■		■			■	■	■		
Eberspaecher Universal Install 24V with diagnostic connection	25.2800.90.1024		■	■		■			■	■	■		
Air Int Muffler w/end Cap	25.1786.80.0200										■		

■ Item in the kit



- 1
- 1
- 2
- 3
- 4
- 5

# HYDRONIC M-II — BUILD YOUR OWN KIT

## SERIES: 42,000 BTU - CARB APPROVED

		Heater	Harness	Fuel System	Coolant Hose	Mounting Bracket	Control Options / Timers	Fuel Pickup Pipe	Hardware Kit	Exhaust Pipe	Intake Pipe	Boxed	Manuals
<b>HYDRONIC M II</b>													
<b>STEP 1 - SELECT BASIC KITS:</b>													
HYDRONIC M12 12 volt, Basic assembly	25.2824.72.1203	■	■	■		■			■	■	■	■	■
HYDRONIC M12 24 volt, Basic assembly	25.2824.73.1201	■	■	■		■			■	■	■	■	■
<b>STEP 2 - SELECT ONE OF THE FOLLOWING CONTROL OPTIONS</b>													
EasyStart Timer	22.1000.34.1500												
Multi Max F-1000 Controller	20.2800.70.1600												
Programmable Timer With LVD	25.2800.70.1010												
Programmable Timer With LVD Dual Input	25.2800.70.2020												
Pro. Timer w/LVD Dual Output Switch	25.2800.70.3030												
<b>STEP 3 - SELECT FUEL PICKUP PIPE OPTIONS</b>													
Fuel Pick Up Pipe 4mm with 1/2 NPT	20.2900.20.2050												
Pick Up Pipe 4mm ID X 16IN	5520001												
Fuel Pipe with Vent 4mm ID - 19.5 IN	20.2900.20.4006												

■ Item in the kit



# HYDRONIC L-II

## SERIES: 55,000, 82,000, 102,000, 120,000 BTU

<b>HYDRONIC L 16</b>		
Basic Heater 24V		25.2486.02.0000
<b>HYDRONIC L 24</b>		
Basic Heater 24 volt		25.2487.02.0000
<b>HYDRONIC L 30</b>		
Basic Heater 24 volt		25.2599.02.0000
<b>HYDRONIC L 30 Compact</b>		
Water pump Flowtronic 5000 and fuel filter pre-assembled		25.2599.05.0000
<b>HYDRONIC L 35</b>		
Basic Heater 24 volt		25.2600.02.0000
<b>HYDRONIC L 35 Compact</b>		
Water pump Flowtronic 5000 and fuel filter pre-assembled		25.2600.05.0000

### ACCESORIES

<b>HARNES</b>	Universal Harness	20.2900.70.0510
<b>FUEL</b>	Nipple and Nut Connectors for compact version (1 required)	20.2900.20.2071
	Fuel Line 5.0mm black rubber	360 75 350
	Clamps 11mm	10.2068.01.1098
	Fuel Pick-up with Return	20.2900.20.2059
<b>EXHAUST</b>	L-II Filter Base and Bracket	25.2488.05.0100
	Flexible Stainless Steel Exhaust Tube 70mm	5530015
	Muffler Clamp 3"	5530004
<b>PUMPS</b>	Exhaust Elbow (70mm exhaust) D30 / D35	22.1000.40.0300
	Coolant Pump 24volt (5,000 L/hr)	25.2488.26.0000
	Flowtronic Coolant Pump 24 volt (6,000 L/hr)	25.2488.25.0000
<b>CONTROLS</b>	Multi Max F-1000 Controller	20.2800.70.1600
	Programmable Timer With LVD	25.2800.70.1010
	Programmable Timer With LVD Dual Input	25.2800.70.2020
	Pro. Timer w/LVD Dual Output Switch	25.2800.70.3030

When using Artic Fox Systems, be sure and specify heaters with high capacity pumps.

1

1

2

3

4

5

# HYDRONIC L-II OFF HIGHWAY KITS

## HYDRONIC L-II OFF HIGHWAY

HYDRONIC 30 L-II Boxed Off-Highway Assembly 12V w/6000 L pump	25.2800.10.3612
HYDRONIC 30 L-II Boxed Off-Highway Assembly 24V w/6000 L pump	25.2800.10.3600
HYDRONIC 35 L-II Boxed Off-Highway Assembly 24V w/6000 L pump	25.2800.10.5624

Heater	Harness	Fuel System	Coolant Hose	Mounting Bracket	Control Options / Timers	Fuel Pickup Pipe	Hardware Kit	Exhaust Pipe	Intake Pipe	Boxed	Manuals
■	■			*			■	■		■	■
■	■			*			■	■		■	■
■	■			*			■	■		■	■

■ Item in the kit

\* Mounting holes on base. No mounting hardware included

### Fuel

Hose Fuel 5 x 3mm black rubber	360 75 350
Single Pick-up Pipe 4.0 mm with Return (61 cm or 24")	20.2900.20.2059
Clamp 11mm, 4 qty.	10.2068.01.1098

### Controls

Multi Max F-1000 Controller	20.2800.70.1600
Programmable Timer With LVD	25.2800.70.1010
Programmable Timer With LVD Dual Input	25.2800.70.2020
Pro. Timer w/LVD Dual Output Switch	25.2800.70.3030

- Packaged for Off-Highway and oilfield applications
- 12 and 24 volt options
- Eliminate cold starts
- Minimize diesel exhaust emissions
- Rugged, compact
- Versatile fluid pre-heating
- Standard with pre-heated nozzle










- 1
- 1
- 2
- 3
- 4
- 5

# ACCESSORIES PARTS GUIDE










CHAPTER	TITLE	CONTENT	PAGE
3	ACCESSORIES PARTS GUIDE		31
		Timers and Controllers Table	32 – 33
		Control Options and Timers	34 – 36
		Testers, Adapters and Special Tools	37 – 39
		Fuel System	40 – 45
		Mounting Parts	46 – 51
		Fuse Holders, Fuses and Breakers	52
		Terminals and Connectors	53 – 55
		Power Converters 12V to 24V	56
		Exhaust	57 – 60
		Ducting	61 – 70
		Intake (Combustion Air)	71
		Coolant Pumps	72 – 73
		Plumbing	74 – 78
		Fuel System Guide	80
		Ducting Rating Guide	81 – 91

## TIMERS AND CONTROLLERS

							
AVAILABLE FUNCTIONS	DIGI-MAX CONTROLLER	EASYSTART TIMER	EASYSTART PRO CONTROLLER	WI-FI REMOTE CONTROL	MULTI-MAX F-1000	PROGRAMMABLE TIMER	MULTI-FUNCTION
Order number	20.2800.70.1500	22.1000.34.1500	20.2800.70.2200	20.2800.70.2300	20.2800.70.1600	5670433 12V 5670434 24V	25.2800.70.1010
Heater On/OFF with status indicator	<input checked="" type="checkbox"/>	<input checked="" type="checkbox"/>	<input checked="" type="checkbox"/>	<input checked="" type="checkbox"/>	<input checked="" type="checkbox"/>	<input checked="" type="checkbox"/>	<input checked="" type="checkbox"/>
Run Time limiter with selectable presets	<input checked="" type="checkbox"/>	<input checked="" type="checkbox"/>	<input checked="" type="checkbox"/>	<input checked="" type="checkbox"/>	<input checked="" type="checkbox"/>	<input checked="" type="checkbox"/>	<input checked="" type="checkbox"/>
Built in diagnostic with fault code display (numerical, verbal or both)	<input checked="" type="checkbox"/>	<input checked="" type="checkbox"/>	<input checked="" type="checkbox"/>	<input checked="" type="checkbox"/>	<input checked="" type="checkbox"/> Blinking Diagnostic		
Clearing codes and unlocking capability	<input checked="" type="checkbox"/>	<input checked="" type="checkbox"/>	<input checked="" type="checkbox"/>	<input checked="" type="checkbox"/>	<input checked="" type="checkbox"/>		
Illuminated turn and push control dial			<input checked="" type="checkbox"/>				
Programmable Timer		<input checked="" type="checkbox"/>	<input checked="" type="checkbox"/>	<input checked="" type="checkbox"/>	<input checked="" type="checkbox"/>	<input checked="" type="checkbox"/>	
Multiple Starts-Day/Week		<input checked="" type="checkbox"/>	<input checked="" type="checkbox"/>		<input checked="" type="checkbox"/>	<input checked="" type="checkbox"/>	
Use of residual heat			<input checked="" type="checkbox"/>				
Synchronization and independency of two parallel controllers (heater switched on one controller may be switched off from the other one, both controllers display same information)			<input checked="" type="checkbox"/>				
Switching heater into the High Altitude Mode (for supported heaters)			<input checked="" type="checkbox"/>				
Grouping heaters			<input checked="" type="checkbox"/>				
Standard Fan Mode		<input checked="" type="checkbox"/>	<input checked="" type="checkbox"/>				
Programmable LVD	<input checked="" type="checkbox"/>	<input checked="" type="checkbox"/>	<input checked="" type="checkbox"/>		<input checked="" type="checkbox"/>		<input checked="" type="checkbox"/>
Low voltage shutdown	<input checked="" type="checkbox"/>	<input checked="" type="checkbox"/>	<input checked="" type="checkbox"/>		<input checked="" type="checkbox"/>		<input checked="" type="checkbox"/>
Onboard temperature sensor	<input checked="" type="checkbox"/>		<input checked="" type="checkbox"/>				
Setpoint switchable between F and C	<input checked="" type="checkbox"/>	<input checked="" type="checkbox"/>	<input checked="" type="checkbox"/>				

\* Refer to controllers manuals for the list of diagnostic-compatible heaters

# TIMERS AND CONTROLLERS

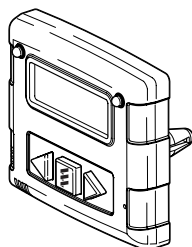
							
AVAILABLE FUNCTIONS	DIGI-MAX CONTROLLER	EASYSTART TIMER	EASYSTART PRO CONTROLLER	WI-FI REMOTE CONTROL	MULTI-MAX F-1000	PROGRAMABLE TIMER	MULTI-FUNCTION
Order number	20.2800.70.1500	22.1000.34.1500	20.2800.70.2200	20.2800.70.2300	20.2800.70.1600	5670433 12V 5670434 24V	25.2800.70.1010
Hours meter or reader	<input checked="" type="checkbox"/>			<input checked="" type="checkbox"/>	<input checked="" type="checkbox"/>		<input checked="" type="checkbox"/>
“Maintenance required” warning	<input checked="" type="checkbox"/>		<input checked="" type="checkbox"/>		<input checked="" type="checkbox"/>		
External control wire or port for use with external devices		<input checked="" type="checkbox"/>	<input checked="" type="checkbox"/>		<input checked="" type="checkbox"/>		
Low temperature display	<input checked="" type="checkbox"/>						
Computer programming via SD card	<input checked="" type="checkbox"/>						
Computer setup via Easy Scan			<input checked="" type="checkbox"/>				
Multilingual interface		<input checked="" type="checkbox"/>	<input checked="" type="checkbox"/>				
“Check heater” warning	<input checked="" type="checkbox"/>		<input checked="" type="checkbox"/>		<input checked="" type="checkbox"/>		
Ambient Air Temp Sensor	<input checked="" type="checkbox"/>		<input checked="" type="checkbox"/>			<input checked="" type="checkbox"/> Cabin temp sensor	
Diagnostic Code Retrieval	<input checked="" type="checkbox"/> 1 <sup>st</sup>	<input checked="" type="checkbox"/>	<input checked="" type="checkbox"/>	<input checked="" type="checkbox"/>	<input checked="" type="checkbox"/> 1 <sup>st</sup>		
Standard Fan Mode	<input checked="" type="checkbox"/>	<input checked="" type="checkbox"/>	<input checked="" type="checkbox"/>		<input checked="" type="checkbox"/>		
10-Hour Automatic Shutoff	<input checked="" type="checkbox"/>			<input checked="" type="checkbox"/>	<input checked="" type="checkbox"/>		
Manual Start Mode	<input checked="" type="checkbox"/>	<input checked="" type="checkbox"/>	<input checked="" type="checkbox"/>	<input checked="" type="checkbox"/>	<input checked="" type="checkbox"/>	<input checked="" type="checkbox"/>	<input checked="" type="checkbox"/>
Program Memory		<input checked="" type="checkbox"/>	<input checked="" type="checkbox"/>		<input checked="" type="checkbox"/>	<input checked="" type="checkbox"/>	
Accepts External Inputs		<input checked="" type="checkbox"/>	<input checked="" type="checkbox"/>		<input checked="" type="checkbox"/>		<input checked="" type="checkbox"/>
AIR HEATERS	<input checked="" type="checkbox"/>	<input checked="" type="checkbox"/>	<input checked="" type="checkbox"/>	<input checked="" type="checkbox"/>	<input checked="" type="checkbox"/>		
COOLANT HEATERS		<input checked="" type="checkbox"/>	<input checked="" type="checkbox"/>	<input checked="" type="checkbox"/>	<input checked="" type="checkbox"/>	<input checked="" type="checkbox"/>	<input checked="" type="checkbox"/>

1<sup>st</sup> only for 1st generation of AIRTRONIC AND HYDRONIC heaters

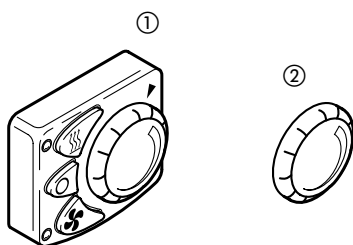
- 1
- 1
- 2
- 3
- 4
- 5

## CONTROL OPTIONS AND TIMERS

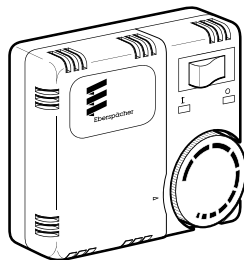
Digi-Max Controller with Diagnostic 12V & 24V



Mini Controller 12 and 24 volt  
Mini Controller Knob

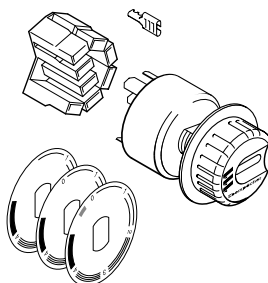


Thermostat



24 volt

Rheostat Switch



12 volt  
24 volt

Wi-Fi Remote Control



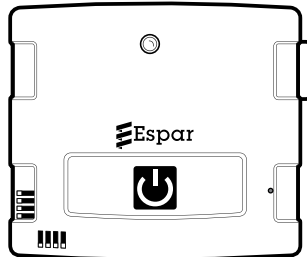
	Airtronic	Airtronic M	Airtronic L	Air heater D8LC	Hydronic HS3 CS	Hydronic 16 / 24 / 30 / 35	Hydronic M-II	Part number
Digi-Max Controller with Diagnostic 12V & 24V	~	~	■	■				20.2800.70.1500
Mini Controller 12 and 24 volt Mini Controller Knob	~	~	■	■				22.1000.32.0700 ① 5699849 ②
Thermostat	~	~	■					5670096
Rheostat Switch	~	~	■	■				25.1895.71.0000 25.1896.71.0000
Wi-Fi Remote Control	~	~	■					20.2800.70.2300

■ unrestricted use ~ restricted use no diagnostic

- 1
- 1
- 2
- 3
- 4
- 5

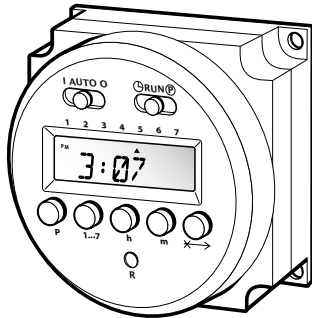
# HYDRONIC HEATERS CONTROL OPTIONS AND TIMERS

Multi-Max



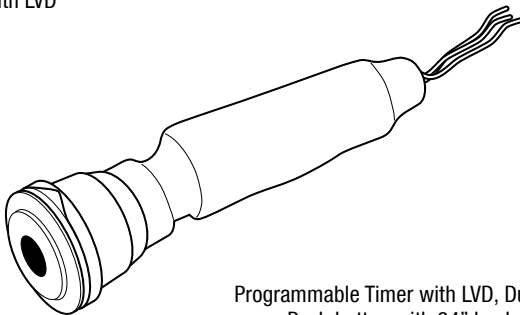
F1000 with PC Programmability & Diagnostic 12 & 24 V

Programmable Timer (No Diagnostic)



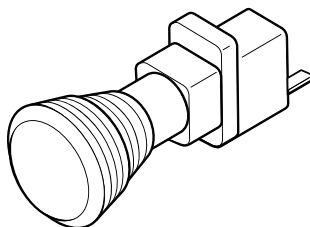
12 V  
24 V

Programmable Timer with LVD



Dual Input  
Programmable Timer with LVD, Dual Outputs-Detached  
Push button with 24" leads for 25.2800.70.3030

Push / Pull Switch



Push / Pull Switch 12 volt

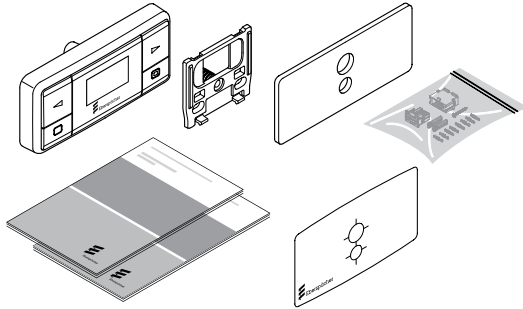
Airtronic	Airtronic M	Airtronic L	Air heater D8LC	Hydronic HS3 CS	Hydronic 16 / 24 / 30 / 35	Hydronic M-II	Part number
				~	■		20.2800.70.1600
					~	■	5670433
				~	■		5670434
				~	■		25.2800.70.1010
				~	■		25.2800.70.2020
				~	■		25.2800.70.3030
				~	■		25.2800.70.3035
				~	■		5670007

■ unrestricted use    ~ restricted use no diagnostic

- 1
- 1
- 2
- 3
- 4
- 5

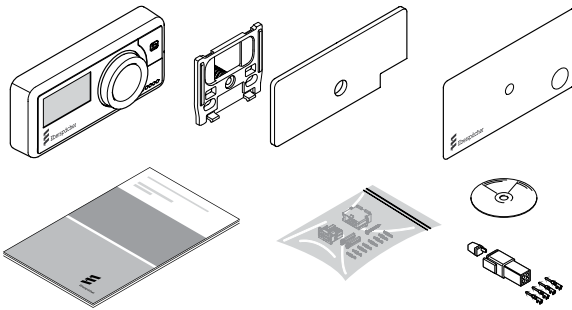
# HYDRONIC HEATERS CONTROL OPTIONS AND TIMERS

## EasyStart Timer



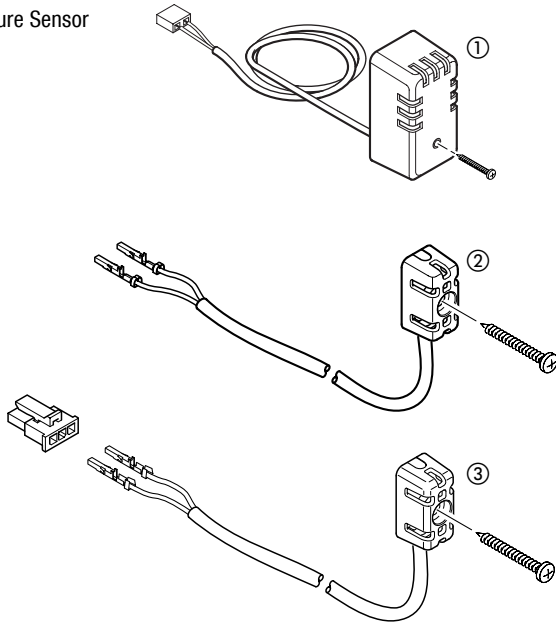
EasyStart Timer

## EasyStart Pro



Control Kit - EasyStart Pro with Adaptor

## Temperature Sensor



Remote Temperature Sensor (To be used as air heater's external temperature sensor ONLY)  
 Controller Temperature Sensor (To be used with EasyStart Timer)  
 Temperature Sensor (To be used with EasyStart Pro)

	Airtronic	Airtronic M	Airtronic L	Air heater D8LC	Hydronic HS3 CS	Hydronic 16 / 24 / 30 /35	Hydronic M-II	Part number
EasyStart Timer		■				~		22.1000.34.1500
EasyStart Pro		■			■			20.2800.70.2200
Remote Temperature Sensor								25.1774.89.0300 ①
Controller Temperature Sensor	*	*	■			■		22.1000.34.2200 ②
Temperature Sensor	■	■			■			22.1000.34.5400 ③

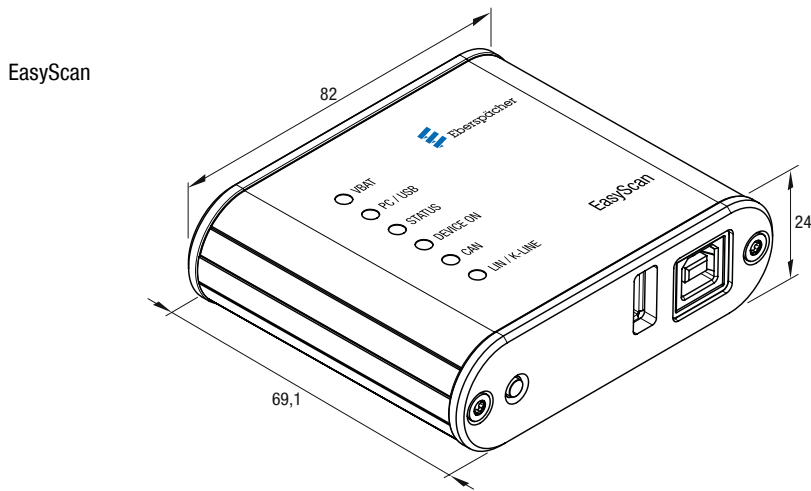
\* Use EasyScan to configure input as external temperature sensor

■ unrestricted use


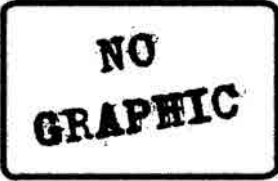

~ restricted use, no diagnostic

- 1
- 1
- 2
- 3
- 4
- 5

# TESTERS / ADAPTERS / SPECIAL TOOLS



EasyScan

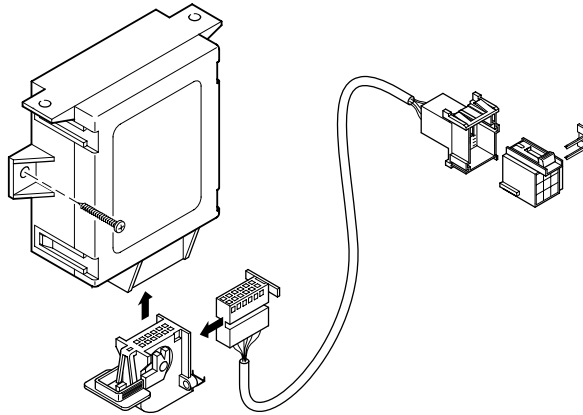
	Airtronic	Airtronic M	Airtronic L	Air heater D8LC	Hydronic HS3 CS	Hydronic 16 / 24 / 30 /35	Hydronic M-II	Part number
								22.1550.89.0000
Tester Adapter North America for EDITH and EasyScan								
 <p>Diagnostic Adaptor (Airtronic, Hydronic I, Hydronic II)                      Diagnostic Adaptor Hydronic M-II                      Diagnostic Adaptor Hydronic M-II E-Guardian</p>								20.2900.70.5057
								25.2800.70.1004
								E 25.2800.70.0024
Adapter cable For Diagnostic device, EDITH Basic and EasyScan								
 <p>Airtronic / Airtronic M                      Hydronic                      Hydronic 2 / Hydronic 2 C / Hydronic M2 (versions from June 2012)                      Hydronic L / Hydronic L2</p>								22.1000.31.8600
								22.1000.31.6300
								22.1000.33.7800
								22.1000.31.6600
Adapter cable for older models of heater For EDITH Basic only								
 <p>Hydronic M                      Hydronic M2 (versions pre-dating June 2012)                      B / D1 LC compact, B / D3 LC compact, B / D3 LP compact                      B / D1 LC, B / D3 LC, B / D3 LP, B / D5 LC                      D9 W, Hydronic 10</p>								22.1000.32.5200
								22.1000.33.4400
								22.1000.30.6900
								22.1000.30.2000
								22.1000.31.8300

\* Use EasyScan to configure input as external temperature sensor    ■ unrestricted use    ~ restricted use, no diagnostic

# TESTERS / ADAPTERS / SPECIAL TOOLS

## Altitude kit \*

Air pressure sensor for heating mode at altitudes up to 3,500 m above sea level

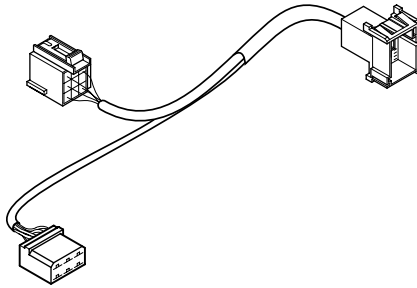


\* For use with the Airtronic / Airtronic M and Hydronic / Hydronic 2 labeled "H-Kit" on the factory plate on the side

**Ax2 and HS3 heaters do not require this kit.**

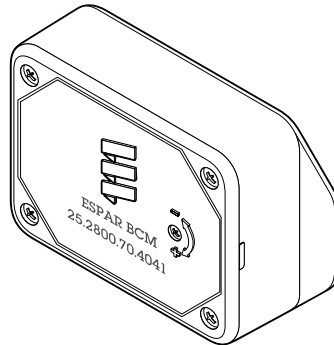
## Adapter cable

For air pressure sensor diagnostics



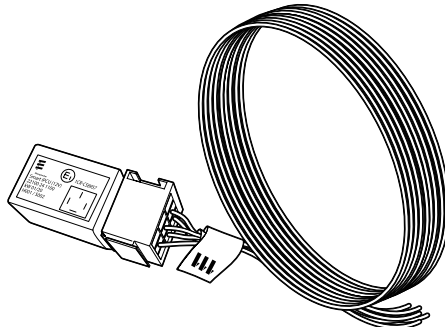
## Blower control module 12/24 V - Heavy Duty (BCM)

For coolant heaters



## Upgrade kit IPCU Smart 12 V (AD)

For coolant heaters



Airtronic	Airtronic M	Airtronic L	Air heater D8LC	Hydronic HS3 CS	Hydronic 16 / 24 / 30 / 35	Hydronic M-II	Part number
							22.1000.33.2200
							22.1000.33.3100
							25.2800.70.4041
							24.8800.00.0077

  unrestricted use    ~ restricted use

- 1
- 1
- 2
- 3
- 4
- 5

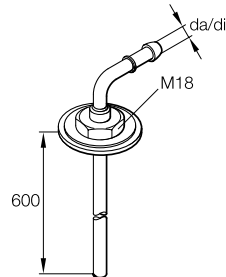




# FUEL SYSTEM

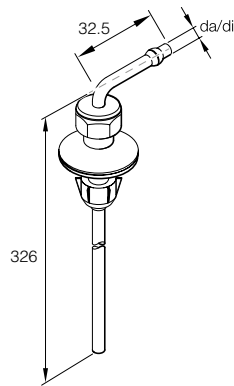
PLEASE NOTE: ■ Refer to Fuel System Guide on page 78, to help plan your fuel system.

Tank connection  
For commercial vehicles



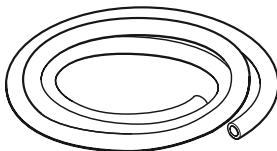
da = 6 mm, di = 2 mm

Tank connection EasyFix



da = 4 mm, di = 2 mm

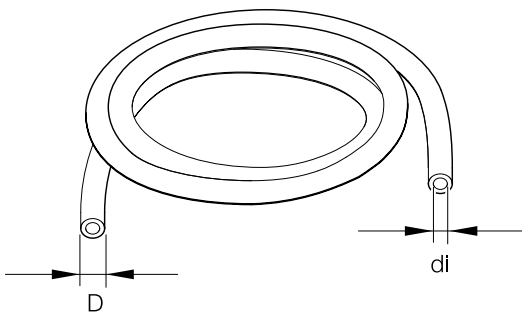
Fuel Lines



Black Rubber Fuel Line - ID = 3.5 mm per m  
Black Rubber Fuel Line - ID = 5.0 mm per m

Fuel pipe (linear m)

Plastic



natural-colored, di = 1.5 mm x10.0m , D = 4 mm  
 natural-colored, di = 1.5 mm x50.0m , D = 4 mm  
 natural-colored, di = 1.5 mm x100.0m , D = 4 mm  
 natural-colored, di = 1.5 mm x400.0m , D = 4 mm  
 natural-colored, 2 mm x 0.8m , D = 4 mm  
 natural-colored, 2 mm x 1.0m , D = 4 mm  
 natural-colored, 2 mm x 1.7m , D = 4 mm  
 natural-colored, 2 mm x 2.0m , D = 4 mm  
 natural-colored, 2 mm x 3.0m , D = 4 mm  
 natural-colored, 2 mm x 3.3m , D = 4 mm  
 natural-colored, 2 mm x 4.3m , D = 4 mm  
 natural-colored, 2 mm x 5.0m , D = 4 mm  
 natural-colored, 2 mm x 6.0m , D = 4 mm  
 natural-colored, 2 mm x 6.5m , D = 4 mm  
 natural-colored, 2 mm x 8.0m , D = 4 mm  
 natural-colored, 2 mm x 10.0m , D = 4 mm  
 natural-colored, 2 mm x 50.0m , D = 4 mm  
 natural-colored, 2 mm x 100.0m , D = 4 mm  
 blue, di = 2 mm , D = 4 mm  
 black, di = 2 mm , D = 6 mm  
 blue, di = 4 mm , D = 6 mm

	Airtronic	Airtronic M	Airtronic L	Air heater D8LC	Hydronic HS3 CS	Hydronic 16 / 24 / 30 /35	Hydronic M-II	Part number
Tank connection	■	■	■		■			25.1226.89.5000
Tank connection EasyFix	■	■	■		■			22.1000.20.4500
Fuel Lines	■	■	■	■	■	■		360 75 300 360 75 350
Fuel pipe (linear m)	■	■	■	■	■	■	■	20.2900.20.0067 20.2900.20.0068 20.2900.20.0069 20.2900.20.0070 20.2900.20.0057 20.2900.20.0030 20.2900.20.0058 20.2900.20.0050 20.2900.20.0014 20.2900.20.0023 20.2900.20.0024 20.2900.20.0013 20.2900.20.0015 20.2900.20.0046 20.2900.20.0053 20.2900.20.0060 20.2900.20.0061 20.2900.20.0062 890 31 054 890 31 125 890 31 101

■ unrestricted use ~ restricted use

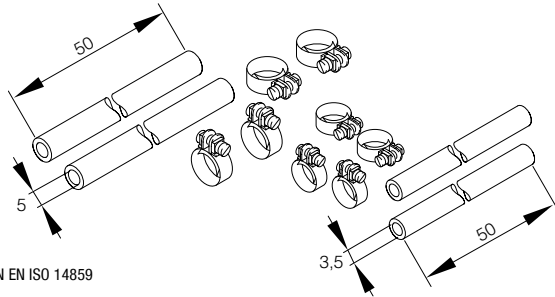
1  
1  
2  
3  
4  
5

# FUEL SYSTEM

**PLEASE NOTE:** ■ Refer to Fuel System Guide on page 78, to help plan your fuel system.

### Fuel supply kit

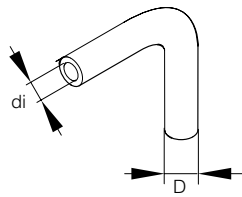
For installing fuel line  
in boat engine compartments



Fire-resistant hose according to DIN EN ISO 14859

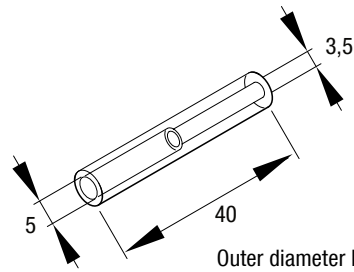
### Fuel hose 105° elbow

PME-compatible



di = 3.5 mm, D = 9.5 mm

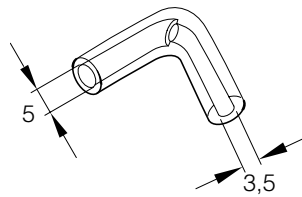
### Fuel Line Adapter



Outer diameter D = 10, 3.5mm to 5mm

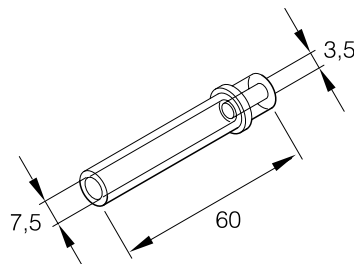
### Adapter 105° elbow

PME-compatible



Outer diameter D = 10

### Adapter for fuel pipes



Outer diameter D = 12

Airtronic	Airtronic M	Airtronic L	Air heater D8LC	Hydronic HS3 CS	Hydronic 16 / 24 / 30 / 35	Hydronic M-II	Part number
							22.1000.20.1000
							25.1888.80.0101
							25.1888.80.0102
							25.2110.05.0301
							22.1000.20.3000

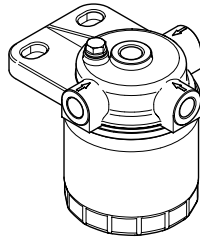
■ unrestricted use ~ restricted use

- 1
- 1
- 2
- 3
- 4
- 5

# FUEL SYSTEM

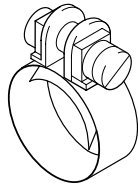
PLEASE NOTE: ■ Refer to Fuel System Guide on page 78, to help plan your fuel system.

## Fuel Filter



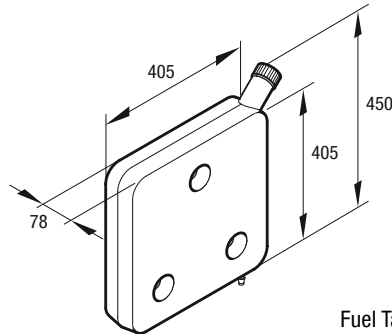
Fuel Filter

## Clamp



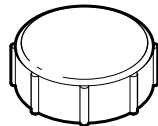
- 9 mm x 10 pc (used with 360 75 300)
- 9 mm x 50 pc (used with 360 75 300)
- 10 mm (used with 360 75 350)
- 11 mm x 10 pc (used with 360 75 350)
- 11 mm x 50 pc (used with 360 75 350)
- 12 mm
- 14 mm

## Plastic Fuel Tank

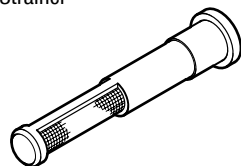


Fuel Tank (10L or 2.6 gal - Blue)

## Plastic Cap



## Complete fuel tank, 10 l - Single Part Fuel Strainer



## Complete fuel tank, 10 L - Single Part Seal



	Airtronic	Airtronic M	Airtronic L	Air heater D8LC	Hydronic HS3 CS	Hydronic 16 / 24 / 30 /35	Hydronic M-II	Part number
Fuel Filter						■		25.2488.05.0100
Clamp	■	■	■	■	■	■	■	20.2900.20.0063
	■	■	■	■	■	■	■	20.2900.20.0064
	■	■	■	■	■	■	■	10.2068.01.0098
	■	■	■	■	■	■	■	20.2900.20.0065
	■	■	■	■	■	■	■	20.2900.20.0066
	■	■	■	■	■	■	■	10.2068.01.2098
	■	■	■	■	■	■	■	10.2068.01.4098
Plastic Fuel Tank								
Fuel Tank (10L or 2.6 gal - Blue)	■	■	■	■	■	■	■	22.1000.20.2800
Plastic Cap								
Plastic Cap	■	■	■	■	■	■	■	22.1000.20.2200
Complete fuel tank, 10 l - Single Part Fuel Strainer								
Complete fuel tank, 10 l - Single Part Fuel Strainer	~	~	~	~	~	~	~	22.1000.20.2803
Complete fuel tank, 10 L - Single Part Seal								
Complete fuel tank, 10 L - Single Part Seal	~	~	~	~	~	~	~	22.1000.20.2804

■ unrestricted use ~ restricted use

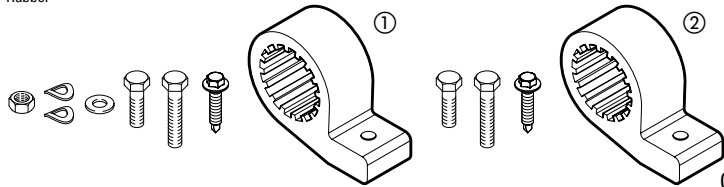
1  
1  
2  
3  
4  
5

# FUEL SYSTEM

**PLEASE NOTE:** ■ Refer to Fuel System Guide on page 78, to help plan your fuel system.

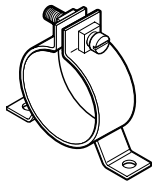
Mounting bracket for metering pump and Flowtronic Water Pump 800 S (see page 76)

Rubber

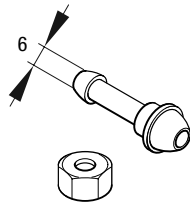


Clamp 34 mm for FMP  
Fuel, ø 34 mm  
(For HS3 D6L coolant pump) Water, ø 41 mm

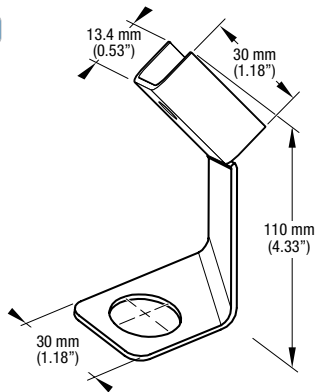
Fuel Metering Pump Holder



Fuel Connector Nipple and Nut

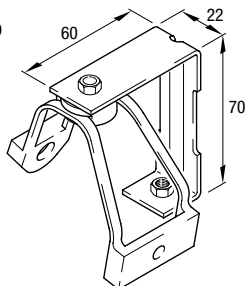


FMP Bracket **RECOMMENDED**



Mounting bracket for metering pump

For use with boats and camping vehicles  
Recommended for mobile homes



Airtronic	Airtronic M	Airtronic L	Air heater D8LC	Hydronic HS3 CS	Hydronic 16 / 24 / 30 / 35	Hydronic M-II	Part number
■	■	■		■			152 00 200
■	■	■		■			22.1000.50.0300 ①
			■	~			22.1000.50.0700 ②
						■	25.1156.20.0011
					■		20.2900.20.2071
■	■	■				■	20.2900.40.0104
					■		20.1634.80.0600

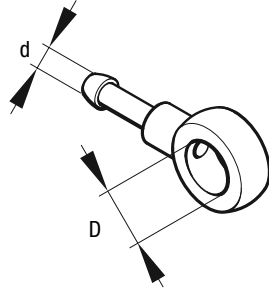
■ unrestricted use    ~ restricted use

- 1
- 1
- 2
- 3
- 4
- 5

# FUEL SYSTEM

PLEASE NOTE: ■ Refer to Fuel System Guide on page 78, to help plan your fuel system.

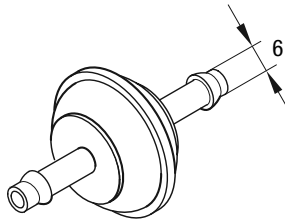
Banjo fitting



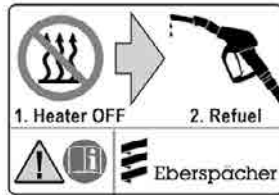
d = 5mm, D = 8mm

Plastic Fuel Filter with metal strainer

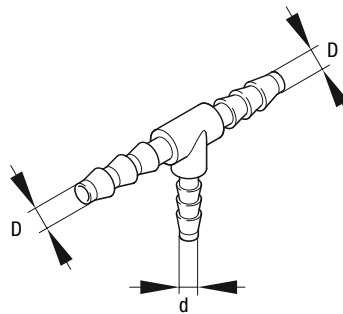
For metering pumps with cup strainer  
Fuel filter suitable for use with fuel circulation pump only



Information Sticker



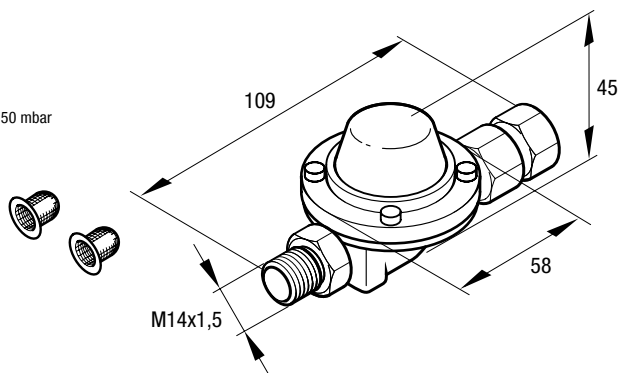
Fuel T-piece  
Plastic



d = 4mm, D = 8mm  
d = 6mm, D = 6mm

Pressure Reducer

with cup strainer and hose fitting  
Input pressure 0.2 – 4 bar  
Control pressure min. 50 mbar, max. 150 mbar



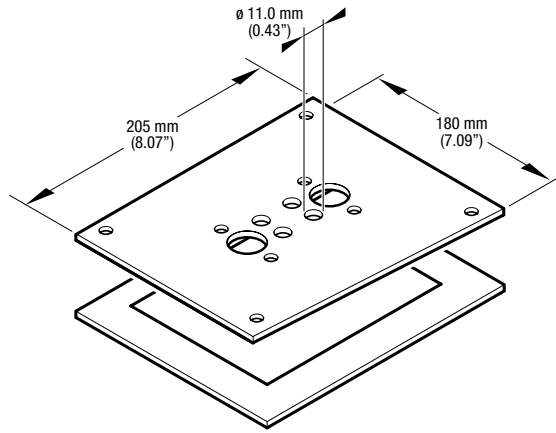
Airtronic	Airtronic M	Airtronic L	Air heater D8LC	Hydronic HS3 CS	Hydronic 16 / 24 / 30 / 35	Hydronic M-II	Part number
			■		■	■	25.1352.88.0005
						■	25.1226.89.0037
							25.2652.05.0001
~	~	~	~	~	~	~	262 31 155 262 31 150
							22.1000.20.0800

■ unrestricted use ~ restricted use

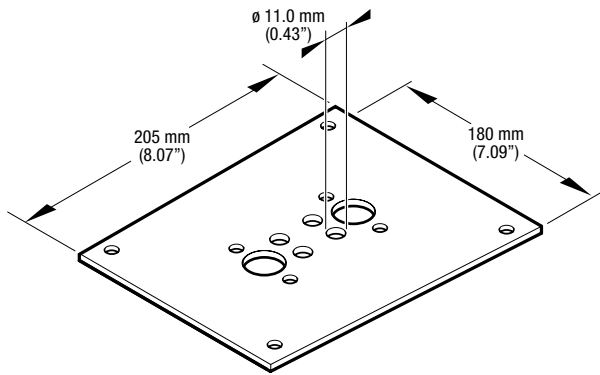
- 1
- 1
- 2
- 3
- 4
- 5

# MOUNTING PARTS

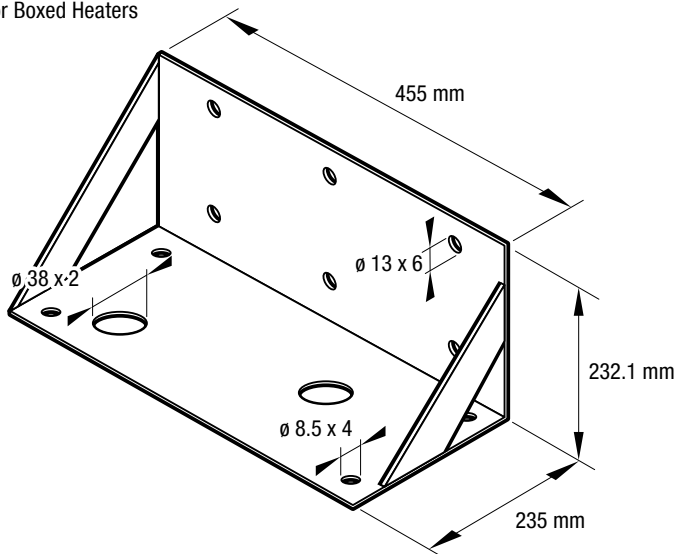
Mounting Plate with Seal



Mounting Plate



Side Frame Mounting Tray for Boxed Heaters

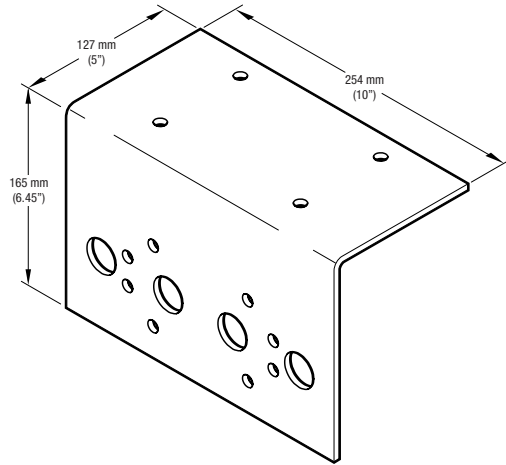


Airtronic	Airtronic M	Airtronic L	Air heater D8LC	Hydronic HS3 CS	Hydronic 16 / 24 / 30 / 35	Hydronic M-II	Part number
							5540001
							20.2900.40.0025
							<b>E</b> 20.2900.40.0075

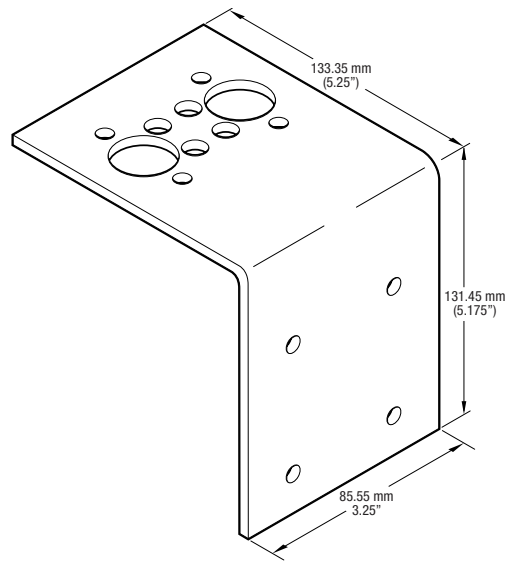
- 1
- 1
- 2
- 3
- 4
- 5

# MOUNTING PARTS

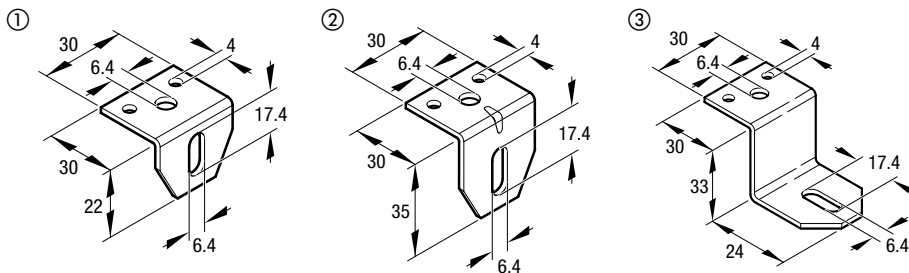
Angle Bracket for Airtronic D5



Mounting Bracket 90°



Metal Angle Bracket for Fuel Metering Pump



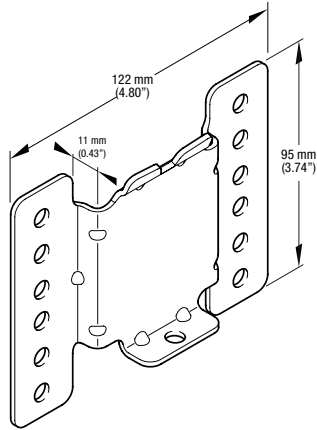
Airtronic	Airtronic M	Airtronic L	Air heater D8LC	Hydronic HS3 CS	Hydronic 16 / 24 / 30 / 35	Hydronic M-II	Part number
							20.2900.40.0023
							5540016
							20.1348.03.0002 ①
							20.1348.03.0004 ②
							20.1533.88.0007 ③

  unrestricted use    ~ restricted use

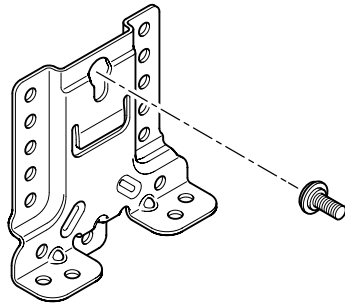
- 
- 
- 
- 
- 
-

# MOUNTING PARTS

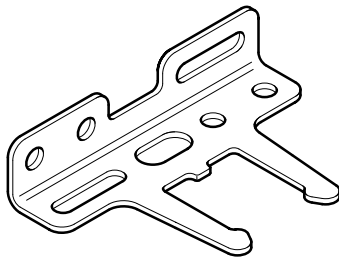
Mounting bracket for Hydronic S3 D5E



Mounting bracket for Hydronic II D5E



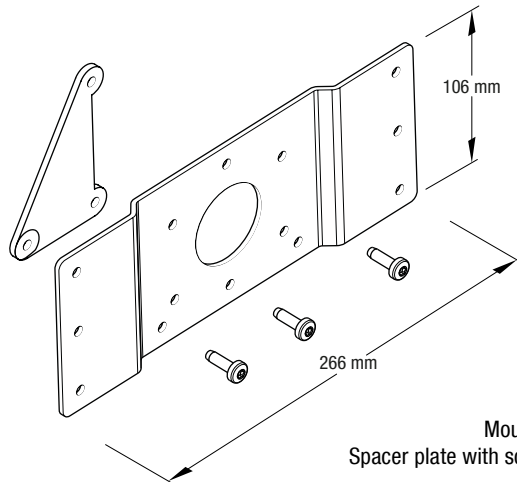
Water Pump Bracketed



① Special screw also required:  
for Economy / Comfort 25 2526 80 01 01

**NEW!**

Mounting bracket for  
Hydronic S3 Commercial (24 V)



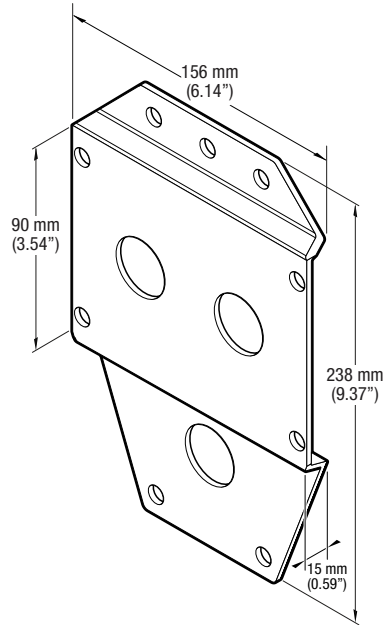
Mounting bracket  
Spacer plate with screws M6x20

Airtronic	Airtronic M	Airtronic L	Air heater D8LC	Hydronic HS3 CS	Hydronic 16 / 24 / 30 / 35	Hydronic M-II	Part number
							22.1000.51.4200
							22.1000.51.3700
							22.1000.51.3900
							22.1000.51.5000 22.9000.51.5100

- 1
- 1
- 2
- 3
- 4
- 5

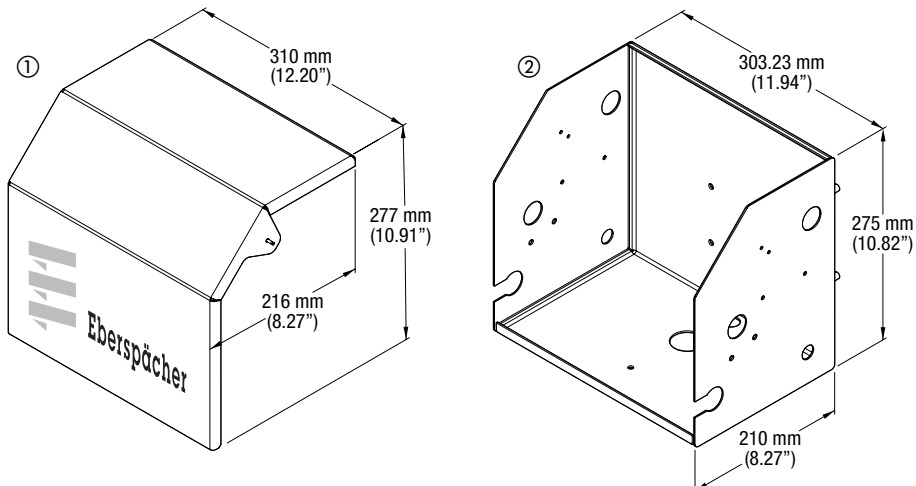
# MOUNTING PARTS

Mounting Bracket



Airtronic	Airtronic M	Airtronic L	Air heater D8LC	Hydronic HS3 CS	Hydronic 16 / 24 / 30 / 35	Hydronic M-II	Part number
							25.1816.80.0001

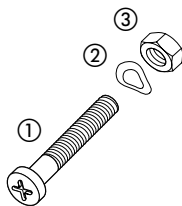
HS3 Box



HS3 Box Lid  
HS3 Enclosure Base

							25.2800.40.0529 ①
							25.2800.40.0528 ②

HS3 Box Screw, Nut & Washer



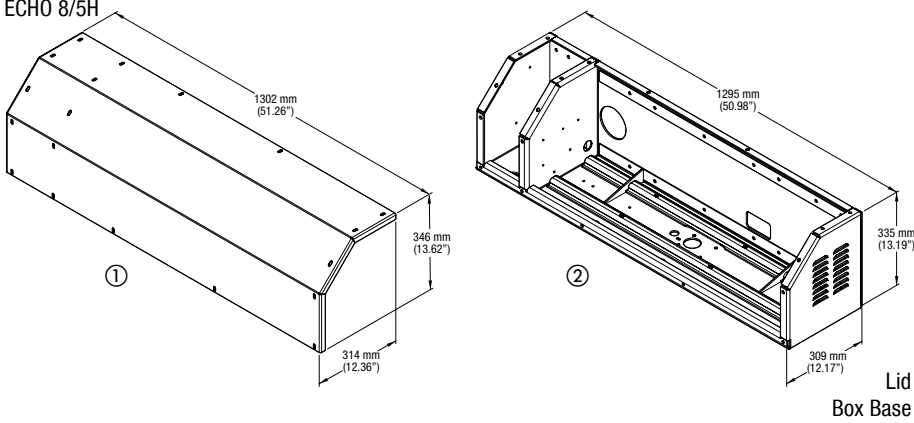
Screw, phil. head m3x10  
M3 wave washer din137  
Nut 3mm

							5590024 ①
							5590117 ②
							5590069 ③



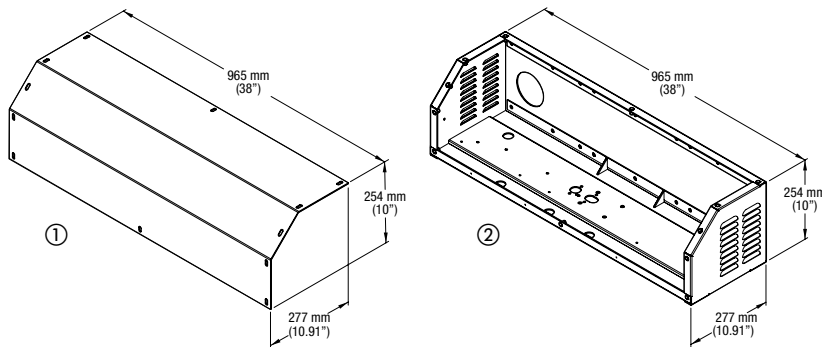
# MOUNTING PARTS

ECHO 8/5H



Lid  
Box Base

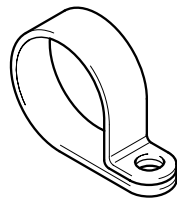
ECHO 5



Lid  
Box Base

“C” Clamp

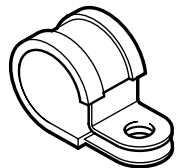
Galvanized



- ∅ 25 mm (for 22mm Exhaust/Air Intake)
- ∅ 28 mm x 10pc (for 24 mm Exhaust)
- ∅ 28 mm x 50pc (for 24 mm Exhaust)
- ∅ 34 mm (for 30 mm Exhaust)
- “C” Clamp 50 mm

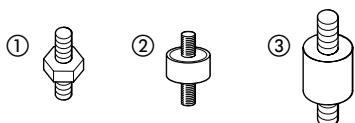
Do not use for flexible exhaust pipes!

Pipe clip with rubber inlay



∅ 10 mm)

Metal / Rubber Shock Mounts

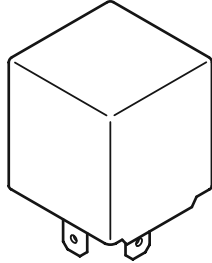


- 6mm H, Hex Body)
- 15mm H, Round Body, M8)
- 1inch H, Round Body, 5/16 x 18 NC

Airtronic	Airtronic M	Airtronic L	Air heater D8LC	Hydronic HS3 CS	Hydronic 16 / 24 / 30 / 35	Hydronic M-II	Part number
			■	■			20.2900.40.8002 ① 20.2900.40.8006 ②
			■	■			20.2900.40.0506 ① 20.2900.40.0502 ②
■	■	■	■	■	■	■	152 10 048 20.2900.90.0001 20.2900.90.0005 152 09 008 152 09 011
							152 00 139
■	■	■	■	■	■	■	20.1185.00.0001 ① 330 09 002 ② 5540014 ③

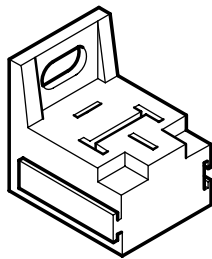
# FUSE HOLDERS, FUSES, BREAKERS

Relay



Changeover contact Max. current consumption 40 A - 12v  
24v Inc Diode

Base Relay 5 Pin

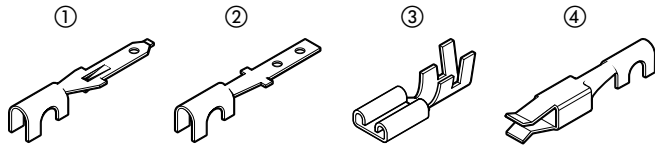


Airtronic	Airtronic M	Airtronic L	Air heater D8LC	Hydronic HS3 CS	Hydronic 16 / 24 / 30 /35	Hydronic M-II	Part number
~	~	~	~	~	~	~	203 00 097 203 00 066
							203 00 085

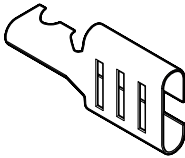

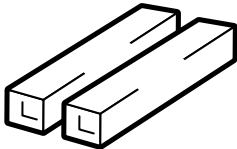
- 1
- 1
- 2
- 3
- 4
- 5

# TERMINALS AND CONNECTORS

## Terminals



- 10ga - 12ga Female, Tabs
- 14ga - 18ga Female, Tabs
- Mini Terminal, AWG 16-20
- 10ga - 12ga Male
- 14ga - 18ga Male
- Mini Terminal, AWG 16-20
- Mini Terminal, AWG 14-18
- Terminal 12033997L

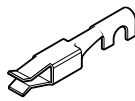
	Airtronic	Airtronic M	Airtronic L	Air heater D8LC	Hydronic HS3 CS	Hydronic 16 / 24 / 30 / 35	Hydronic M-II	Part number	
10ga - 12ga Female, Tabs	■	■	■	■	■	■		5670174	③
14ga - 18ga Female, Tabs	■	■	■	■	■	■		5670394	③
Mini Terminal, AWG 16-20	■	■						206 00 180	④
10ga - 12ga Male	■	■	■	■	■	■		5670176	①
14ga - 18ga Male	■	■	■	■	■	■		5670175	①
Mini Terminal, AWG 16-20	■	■						206 36 018	②
Mini Terminal, AWG 14-18	■	■						206 00 182	④
Terminal 12033997L	■	■	■	■	■	■		5670199	③
<hr/>									
Terminal FE Faston - 18/22 AWG									
	■	■	■	■	■	■		5670395	
<hr/>									
Ring Terminal									
									
(3/8") AWG 10-12	■	■	■	■	■	■		5670178	
<hr/>									
Plug and Socket Connector									
	■	■	■	■	■	■		206 00 040	

■ unrestricted use    ~ restricted use

- 1
- 1
- 2
- 3
- 4
- 5

# TERMINALS AND CONNECTORS

## Socket Housing, Male



4 Pin  
6 Pin  
8 Pin  
Terminal, Female AWG 16-20

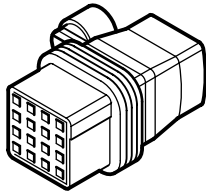
	Airtronic	Airtronic M	Airtronic L	Air heater D8LC	Hydronic HS3 CS	Hydronic 16 / 24 / 30 /35	Hydronic M-II	Part number	
	■	■	■	■	■	■	■	206 31 296	①
	■	■	■	■	■	■	■	206 31 297	②
	■	■	■	■	■	■	■	206 31 298	③
	■	■	■	■	■	■	■	206 00 180	④
<hr/>									
Socket Housing, Female	①	②	③	④					
	■	■	■	■	■	■	■	206 31 100	①
	■	■	■	■	■	■	■	206 31 106	②
	■	■	■	■	■	■	■	206 31 101	③
	■	■	■	■	■	■	■	206 36 018	④
<hr/>									
Socket Housing	①	②	③	④					
	■	■	■	■	■	■	■	206 00 099	①
	■	■	■	■	■	■	■	206 31 004	②
	~	~	~	~	~	~	~	5670176	③
	~	~	~	~	~	~	~	5670394	④
<hr/>									
Fuel Metering Pump Housing Kit for metering pump, with contacts and seals									
			■	■			■	22.1000.31.8700	
							■	206 31 290	
							■	206 00 180	
<hr/>									
Housing 2W REC MCON 1.2 Ax2/HS3 FMP									
							■	206 31 294	
<hr/>									
FMP Connector Kit for Hydronic S3 and Airtronic									
	■	■					■	25.2800.90.0054	

■ unrestricted use ~ restricted use

1  
1  
2  
3  
4  
5

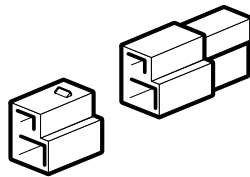
# TERMINALS AND CONNECTORS

Hydronic M Square Connector



Socket Housing M Stribel Ctrl  
Connector with pins

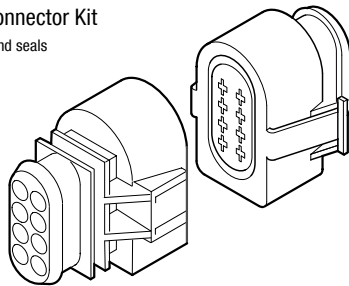
Socket Housing,



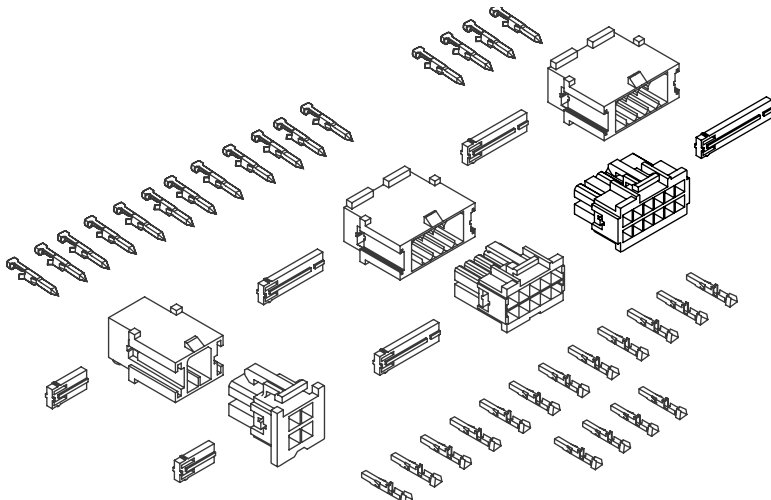
2 Pin with Spring (FMP Connection)  
Mini Terminal, Female AWG 16-20  
Socket Housing M Stribel Control  
Plug for 206 31 319 Stribel

Hydronic 4/5 Main harness connector Kit

For the Hydronic D5S/SC, with contacts and seals



EasyStart Timer - Single part electrical connection



Airtronic	Airtronic M	Airtronic L	Air heater D8LC	Hydronic HS3 CS	Hydronic 16 / 24 / 30 /35	Hydronic M-II	Part number
							206 31 319 22.1000.31.9300
							206 31 290 206 00 180 206 31 319 206 75 042
					*		22.1000.30.1021
							22.1000.34.2600

\* restricted use    unrestricted use    ~ restricted use



## POWER CONVERTERS 12V TO 24V

Power Converter 12 - 24 480 W

5673601



1

1

2

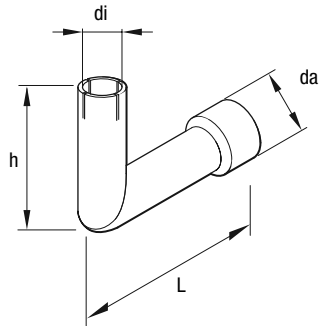
3

4

5

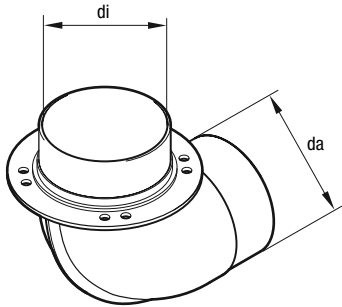
# EXHAUST

Elbow



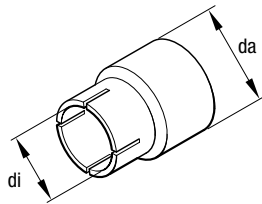
di = 24, da = 30 mm, h = 50 mm, L = 80 mm

Exhaust Elbow



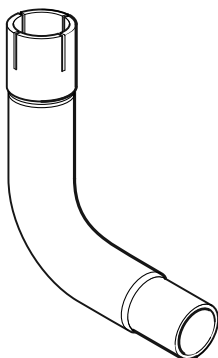
(with exhaust) di = 70 mm, da = 72 mm

Straight Exhaust Fitting



di = 24, da = 30 mm

Exhaust 90° adapter



di = 30 mm

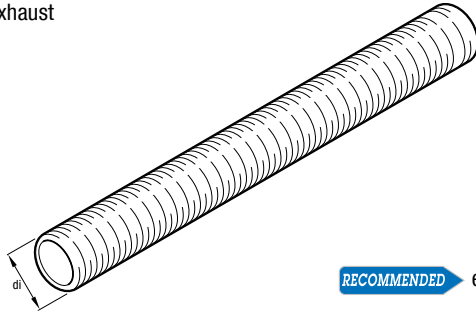
Airtronic	Airtronic M	Airtronic L	Air heater D8LC	Hydronic HS3 CS	Hydronic 16 / 24 / 30 / 35	Hydronic M-II	Part number
■	■	■		■			25.1226.89.5500
					■		22.1000.40.0300
■	■	■		■			25.1520.80.0101
						■	25.2800.30.1000

■ unrestricted use ~ restricted use

- 1
- 1
- 2
- 3
- 4
- 5

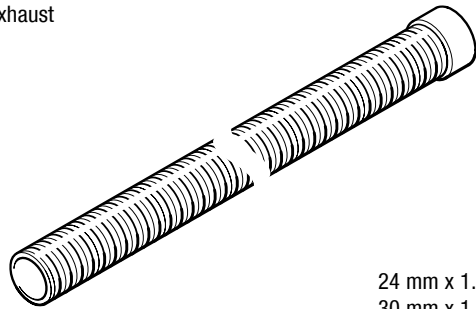
# EXHAUST

Flexible Stainless Steel Exhaust



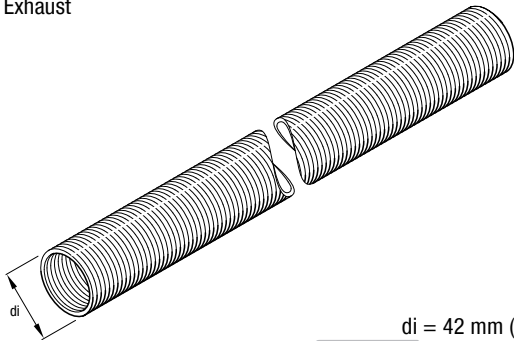
**RECOMMENDED** each - di = 24mm (1.3 mtr)

Flexible Stainless Steel Exhaust



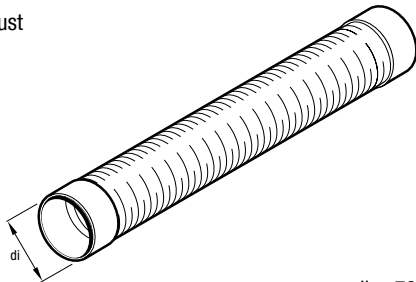
24 mm x 1.0 M with end cap - per mtr  
30 mm x 1.3 M with end cap - per mtr

Flexible Stainless Steel Exhaust



**RECOMMENDED** di = 42 mm (direct connect) - per mtr  
di = 24 mm (one layer) - per mtr  
di = 24 mm (two layer) - per mtr  
di = 30 mm (one layer) - per mtr  
di = 30 mm (two layers) - per mtr

Flexible Stainless Steel Exhaust



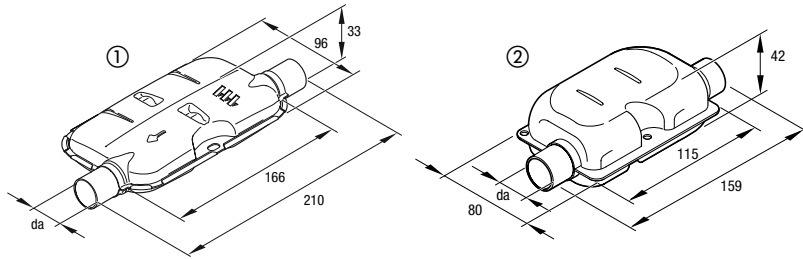
di = 70 mm (direct connect) - per mtr

Airtronic	Airtronic M	Airtronic L	Air heater D8LC	Hydronic HS3 CS	Hydronic 16 / 24 / 30 / 35	Hydronic M-II	Part number
							360 61 557
							25.1774.80.0200 25.1816.80.0800
							5530013 360 61 550 360 61 299 360 61 580 360 61 300
							5530015

- 1
- 1
- 2
- 3
- 4
- 5

# EXHAUST

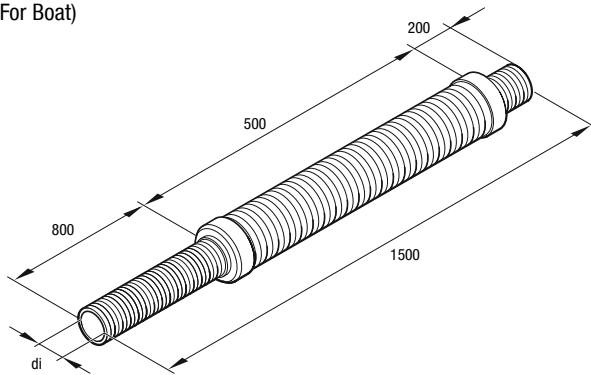
Exhaust Muffler



for 24mm (Slimmer-New)  
for 24mm (Wider-Old)

Airtronic	Airtronic M	Airtronic L	Air heater D8LC	Hydronic HS3 CS	Hydronic 16 / 24 / 30 / 35	Hydronic M-II	Part number
							22.1000.40.0900 ①
							25.1864.81.0100 ②

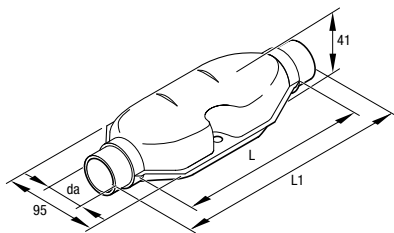
Exhaust Muffler (For Boat)



di = 30 mm

							25.1226.89.5800

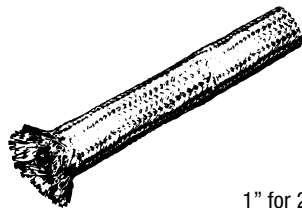
Exhaust Muffler



da = 30 mm

							25.1806.80.0100

Exhaust Insulation Sock

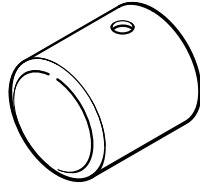


1" for 22 mm-24 mm, ID Exhaust - per mtr  
2" for 24 mm-42 mm, ID Exhaust - per mtr  
3" for 70 mm, ID Exhaust - per mtr

							5530001
							5530002
							5530003

# EXHAUST

Exhaust End Cap



ø 24 mm

Airtronic	Airtronic M	Airtronic L	Air heater D8LC	Hydronic HS3 CS	Hydronic 16 / 24 / 30 / 35	Hydronic M-II	Part number
■	■	■		■			25.1482.80.0001
Exhaust End Cap with Crossbar							
di = 24 mm di = 30 mm di = 42 mm							
■	■	■		■			20.2900.30.2400
			■			■	25.1785.80.0200
							22.1000.40.0200
Exhaust Clamp for							
ø 70 mm							
						■	5530004
Clamp for Exhaust Pipe							
ø 31 mm - ø 34 mm ø 26 mm							
■	■	■		■			22.1000.51.4500
							152 61 102
Clamp for Exhaust Pipe							
ø 42 mm - ø 45 mm							
			■				152 09 004

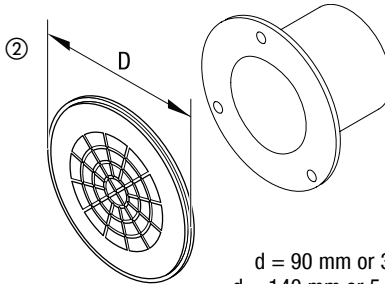
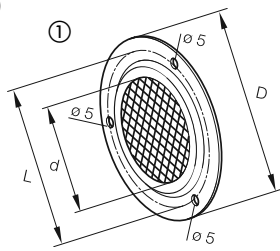
■ unrestricted use ~ restricted use

- 1
- 1
- 2
- 3
- 4
- 5

# DUCTING

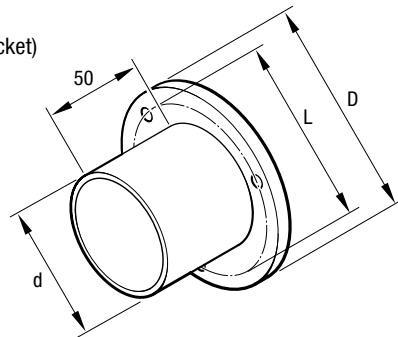
**PLEASE NOTE:** ■ Air ducting is critical to the performance of your heater - for information on how to layout a system and measure restriction values see the Rating Guide on page 79

## 1 Grill (Inlet & Outlet)



d = 90 mm or 3.5"  
 d = 140 mm or 5.25"  
 D = 93 mm (3.6"), L = 75 mm (3") d = 60 mm (2.4")  
 Nickel Plated Open Screen (d = 140 mm or 5.25")

## 2 Ducting Flange (Connecting Socket)

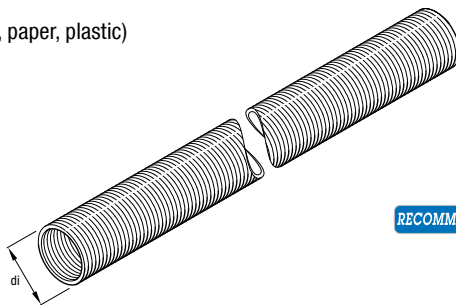


\* D = 93 mm

~ = Check connection diameter

for Duct Size 50 mm (2")  
 for Duct Size 60 mm (2.4")  
 for Duct Size 90 mm (3.5")  
 for Duct Size 100 mm (4")

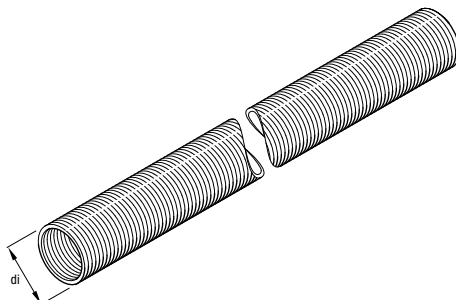
## 3 Flexible Air Hose (aluminum, paper, plastic)



**RECOMMENDED**

di = 50mm (2")  
 di = 60mm (2.4")  
 di = 75mm (3")  
 di = 90mm (3.5")  
 di = 100mm (4")

### 3.1 Flexible Hose



di = 75 mm (3")  
 di = 100 mm (4")

	Airtronic	Airtronic M	Airtronic L	Air heater D8LC	Hydronic HS3 CS	Hydronic 16 / 24 / 30 / 35	Hydronic M-II	Part number
1 Grill (Inlet & Outlet)	■	■	■	■				20.1465.89.0500 ① 25.1729.89.0005 ② 22.1000.01.0001 ② 25.1226.89.0500 ①
2 Ducting Flange (Connecting Socket)	■	~	~	~				20.1575.80.0801 20.1577.89.0601 20.1297.00.0001 25.1226.89.0040
3 Flexible Air Hose (aluminum, paper, plastic)	~	~	~	~				10.2114.29.0000 10.2114.31.0000 10.2114.34.0000 10.2114.37.0000 10.2114.38.0000
3.1 Flexible Hose	■	~	~	■				5550007 5550008

■ unrestricted use ~ restricted use

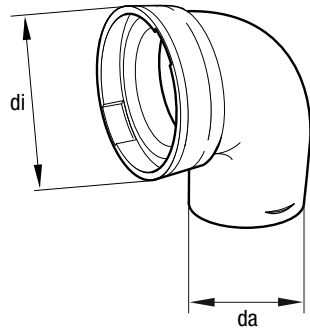
1  
2  
3  
4  
5



# DUCTING

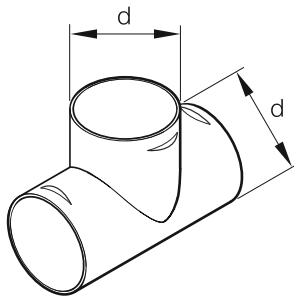
**PLEASE NOTE:** ■ Air ducting is critical to the performance of your heater - for information on how to layout a system and measure restriction values see the Rating Guide on page 79

7  
90° Bend,  
Plastic Elbow



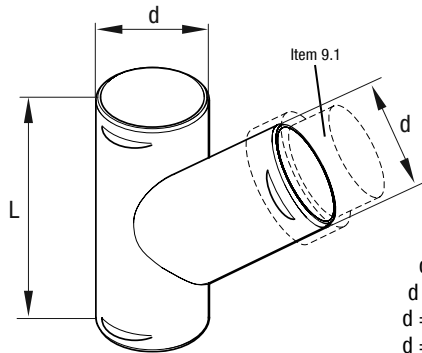
di = 60 mm (2.4"), da = 60 mm (2.4")  
di = 75 mm (3"), da = 75 mm (3")

8  
Plastic "T" Piece



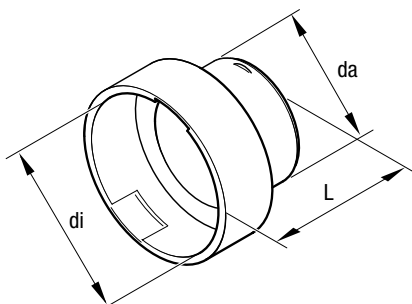
d = 60 mm (2.4")  
d = 75 mm (3")  
d = 90 mm (3.5")

9  
45° Plastic "Y" Connector



d = 75 mm (3"), L = 175 mm  
d = 100 mm (4"), L = 230 mm  
d = 60 mm (2.4"), L = 145 mm  
d = 90 mm (3.5"), L = 180 mm

9.1  
Plastic Reducer for "Y" or Ducting Union



di = 90 mm (3.5"), da = 75 mm (3"), L = 45 mm  
di = 75 mm (3"), da = 50 mm (2"), L = 50 mm  
di = 100 mm (4"), da = 75 mm (3"), L = 50 mm  
di = 100 mm (4"), da = 50 mm (2"), L = 62 mm  
di = 75 mm (3"), da = 60 mm (2.4"), L = 45 mm

Airtronic	Airtronic M	Airtronic L	Air heater D8LC	Hydronic HS3 CS	Hydronic 16 / 24 / 30 / 35	Hydronic M-II	Part number
■	■						25.1688.89.0001
■	■						25.1482.89.0005
■	■						25.1688.89.0002
■	■						22.1000.01.0027
■	■						22.1000.01.0026
■	■	~	~	~			25.1226.89.0044
■	~	~	■				25.1226.89.0045
■	~	~	~				25.1774.89.0005
~	■	~	~				22.1000.01.0021
~	■	■	~				22.1000.01.0012
~	■	~	~				25.1226.89.0046
~	~	~	■				25.1226.89.0047
~	~	~	■				25.1226.89.0048
~	■	~	~				25.1226.89.0050

■ unrestricted use ~ restricted use

1  
1  
2  
3  
4  
5

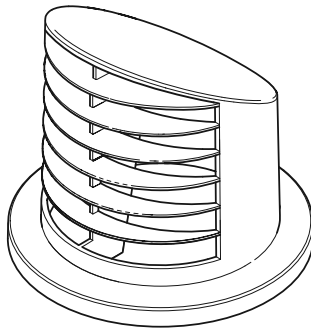




# DUCTING

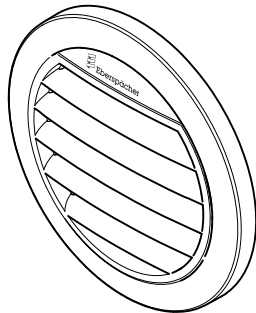
**PLEASE NOTE:** ■ *Air ducting is critical to the performance of your heater - for information on how to layout a system and measure restriction values see the Rating Guide on page 79*

**13**  
**90° Upright Vent**  
 (Rotatable)



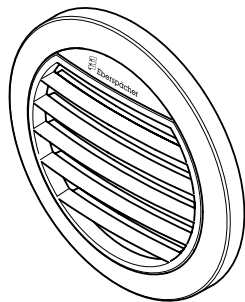
Suitable for ø 50/60 mm fitting, black  
 Suitable for ø 75/90 mm fitting, black

**14**  
**30° Outlet Screen (Flat)**  
 Rotatable, see Item 4 for fitting



Suitable for ø 50/60 mm fitting, black)  
 Suitable for ø 75/90 mm fitting, black)

**14.1**  
**0° Outlet Screen (Flat)**  
 (For 75/90mm flange)



Suitable for 75/90 mm fitting, black)

Airtronic	Airtronic M	Airtronic L	Air heater D8LC	Hydronic HS3 CS	Hydronic 16 / 24 / 30 /35	Hydronic M-II	Part number
■	~	~					22.1000.01.0064 22.1000.01.0068
■	■	~					22.1000.01.0044 22.1000.01.0052
■	■	■					22.1000.01.0048

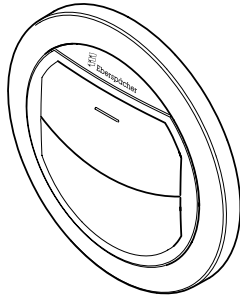
■ unrestricted use ~ restricted use

- 1
- 1
- 2
- 3
- 4
- 5

# DUCTING

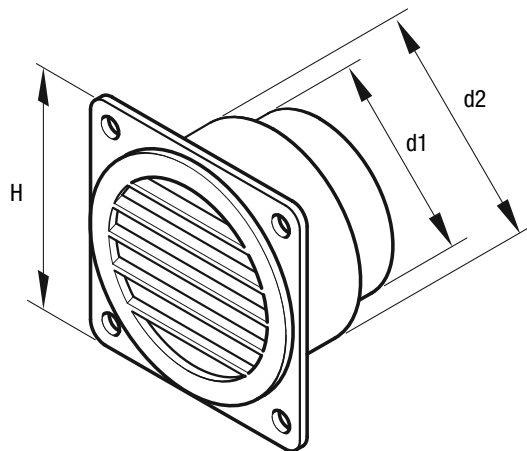
**PLEASE NOTE:** ■ *Air ducting is critical to the performance of your heater - for information on how to layout a system and measure restriction values see the Rating Guide on page 79*

**15**  
**Outlet Screen Closable**  
 Rotatable, see Ducting Flange  
 (Plastic) for fitting



Suitable for  $\varnothing$  50/60 mm fitting, black  
 Suitable for  $\varnothing$  75/90 mm fitting, black

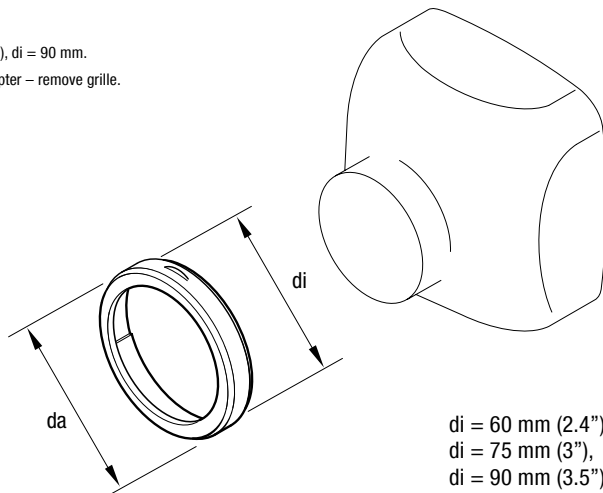
**16**  
**Outlet Vent with Flange**  
 (Rotatable)



$d1 = 90 \text{ mm (3.5")}$ ,  $d2 = 100 \text{ mm (4")}$ ,  $H = 110 \text{ mm}$   
 $d1 = 75 \text{ mm (3")}$ ,  $d2 = 100 \text{ mm (4")}$ ,  $H = 110 \text{ mm}$

**17**  
**Adapter Ring**

Protective grille (Item 4),  $d_i = 90 \text{ mm}$ .  
 Can be used as an adapter – remove grille.



$d_i = 60 \text{ mm (2.4")}$ ,  $d_a = 75 \text{ mm (3")}$   
 $d_i = 75 \text{ mm (3")}$ ,  $d_a = 90 \text{ mm (3.5")}$   
 $d_i = 90 \text{ mm (3.5")}$ ,  $d_a = 100 \text{ mm (4")}$

Airtronic	Airtronic M	Airtronic L	Air heater D8LC	Hydronic HS3 CS	Hydronic 16 / 24 / 30 / 35	Hydronic M-II	Part number
■	■	■	~				22.1000.01.0072 22.1000.01.0076
	■	■	~				20.1609.80.0900 22.1050.89.2100
■	■	■					22.1000.01.0008 25.1822.89.0001 20.1607.80.0001

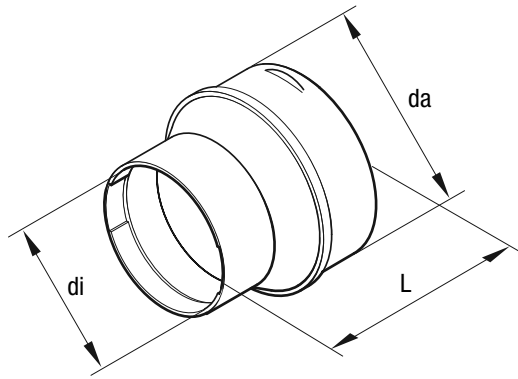
■ unrestricted use ~ restricted use

- 1
- 1
- 2
- 3
- 4
- 5

# DUCTING

**PLEASE NOTE:** ■ *Air ducting is critical to the performance of your heater - for information on how to layout a system and measure restriction values see the Rating Guide on page 79*

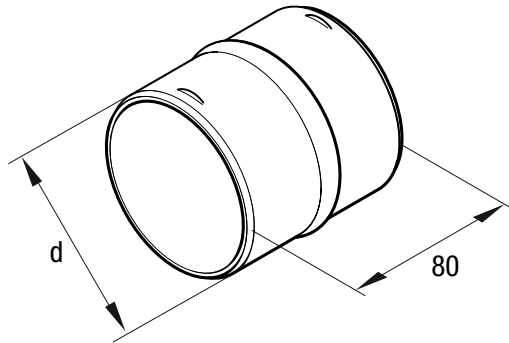
17  
Plastic Reducer



~ = Check connection diameter

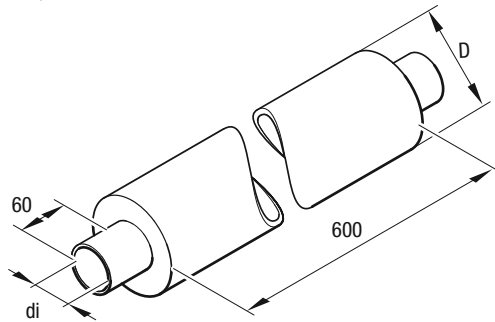
di = 60 mm (2.4"), da = 75 mm (3"), L = 40.5 mm

18  
Ducting Union, straight



d = 60 mm (2.4")  
d = 75 mm (3")  
d = 90 mm (3.5")  
d = 100 mm (4")

19  
Air Silencer (Inlet & Outlet Duct)  
Hot air, aluminum



~ = Check connection diameter

di = 75 mm, D = 120 mm  
di = 100 mm, D = 150 mm

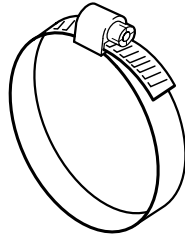
Airtronic	Airtronic M	Airtronic L	Air heater D8LC	Hydronic HS3 CS	Hydronic 16 / 24 / 30 / 35	Hydronic M-II	Part number
■	~						25.1688.89.0010
■	~	~	~				22.1000.01.0005
~	~	~	~				22.1000.01.0006
~	~	~	~				22.1000.01.0024
~	~	~	~				22.1000.01.0007
■	■						25.1226.89.1500
~	~	~	~				25.1226.89.5600



# DUCTING

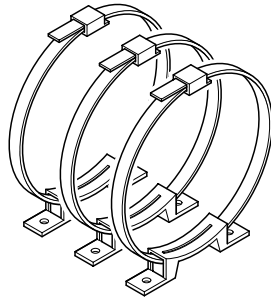
**PLEASE NOTE:** ■ *Air ducting is critical to the performance of your heater - for information on how to layout a system and measure restriction values see the Rating Guide on page 79*

20  
Stainless Steel Hose Clamp



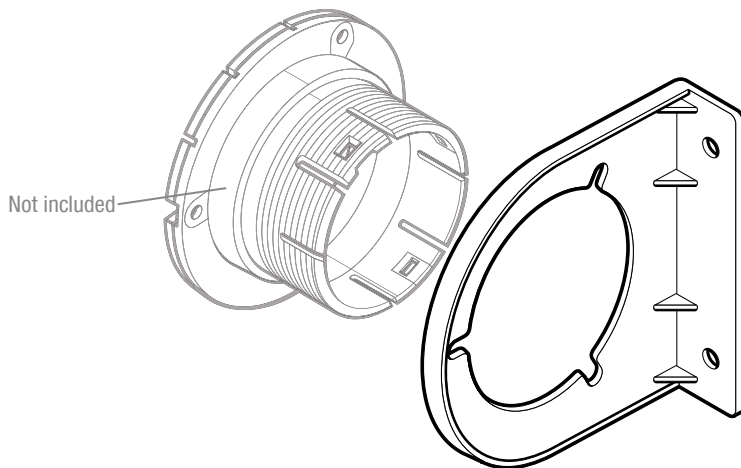
46-70 mm (60 mm or 2.4" Ducting)  
59-83 mm (75 mm or 3" Ducting)  
84-108 mm (100 mm or 4" Ducting)

Air hose fastening kit  
Plastic, 3 per pack



ø 60 – ø 100 mm

Holder Connection Piece 60 HL



Suitable for ø 50/60 mm fitting, black)

	Airtronic	Airtronic M	Airtronic L	Air heater D8LC	Hydronic HS3 CS	Hydronic 16 / 24 / 30 / 35	Hydronic M-II	Part number
46-70 mm (60 mm or 2.4" Ducting)	■							5550004
59-83 mm (75 mm or 3" Ducting)	~	~	■					5550002
84-108 mm (100 mm or 4" Ducting)				■				5550003
ø 60 – ø 100 mm					■	■		22.1000.50.0200
Suitable for ø 50/60 mm fitting, black)	■	■						22.1000.01.1400

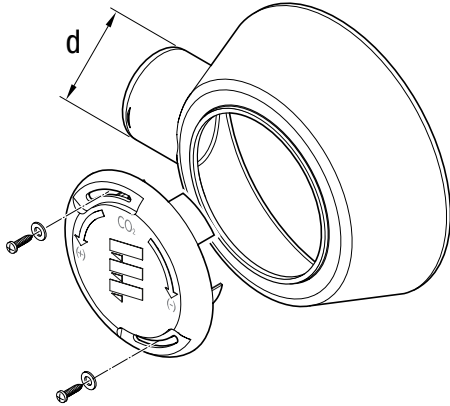
■ unrestricted use ~ restricted use

- 1
- 1
- 2
- 3
- 4
- 5

# DUCTING

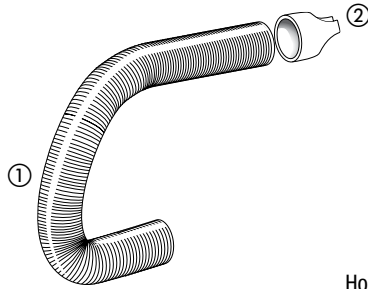
**PLEASE NOTE:** ■ Air ducting is critical to the performance of your heater - for information on how to layout a system and measure restriction values see the Rating Guide on page 81

## Air Intake Hood



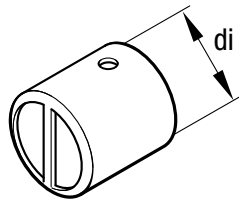
d = 60, mm (2.4")

## Combustion Air Intake Flex Hose



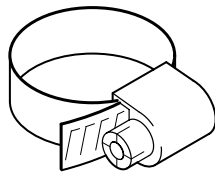
per mtr, ID = 25 mm  
 per mtr, ID = 30 mm  
 End Cap  
 Hose Comb. Air - 25mm (1m)  
 Hose - 20mm APK Comb Air (1m)

## Plastic Air Intake End Cap with Crossbar



di = 20 mm  
 di = 25 mm

## Ducting Clamp



32-50 mm  
 33-57 mm

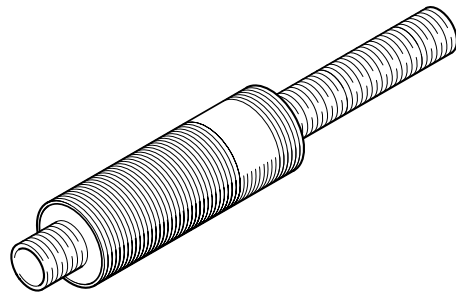
Airtronic	Airtronic M	Airtronic L	Air heater D8LC	Hydronic HS3 CS	Hydronic 16 / 24 / 30 /35	Hydronic M-II	Part number
							22.1000.40.0600
							10.2114.21.0000 ①
							10.2114.25.0000
							25.1480.89.0400 ②
							360 00 006
							360 00 099
							25.1688.80.1201
							25.1729.89.0002
							10.2067.03.2050
							5550001

■ unrestricted use ~ restricted use

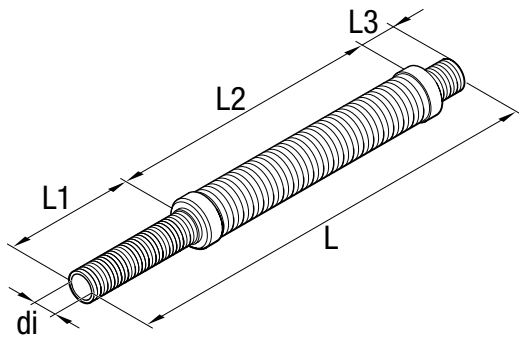
- 1
- 1
- 2
- 3
- 4
- 5

# INTAKE (COMBUSTION AIR)

Intake Silencer

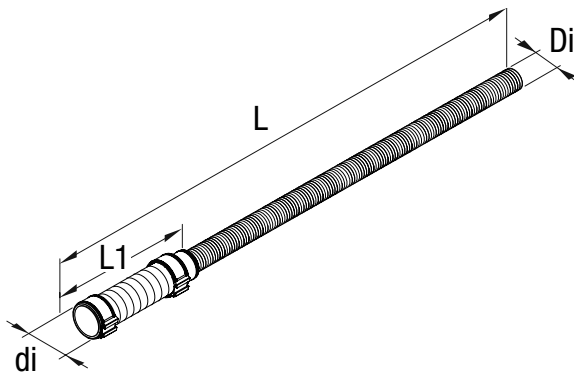


Air Int Muffler w/End Cap



di = 25 mm, L1 = 90 mm, L2 = 300 mm, L3 = 40 mm, L = 430 mm

Combustion Airt Intake 410mm



Di = 20 mm, di = 38 mm, L1 = 160 mm, L = 760 mm

Airtronic	Airtronic M	Airtronic L	Air heater D8LC	Hydronic HS3 CS	Hydronic 16 / 24 / 30 / 35	Hydronic M-II	Part number
							20.1609.80.0400
							25.1786.80.0200
							22.1000.40.0010

  unrestricted use ~ restricted use

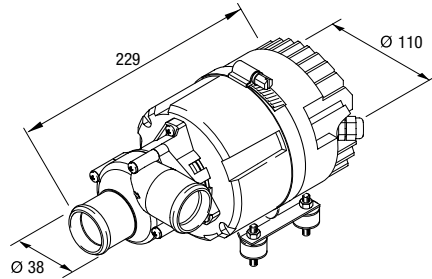
- 1
- 1
- 2
- 3
- 4
- 5



# COOLANT PUMPS

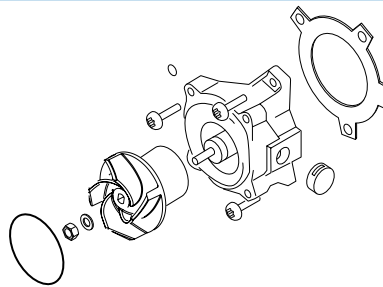
## Flowtronic 6000 SC water pump

With magnetic coupling and mounting bracket  
Water flow rate 6,000 l / h at 0.4 bar



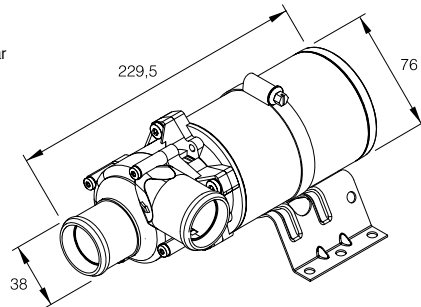
24 V

## Flowtronic 6000 SC spares kit



## Flowtronic 5000 water pump

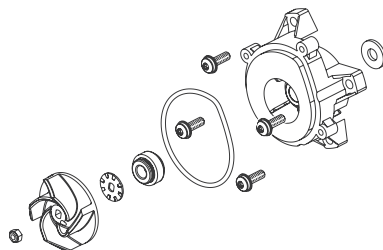
With mounting bracket, water flow rate 5,200 l / h at 0.2 bar



24 V

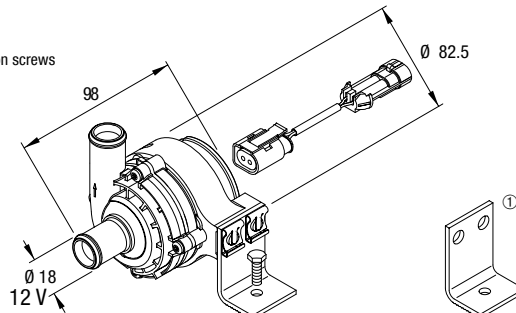
## Flowtronic 5000 spares kit

For water pump 25.2488.26.0000



## Water pump

with mounting bracket installed, adapter cable, M6x12 hexagon screws  
Water flow rate 850 l / h at 0.1 ba



① Mounting bracket for water pump 25.2217.27.0000

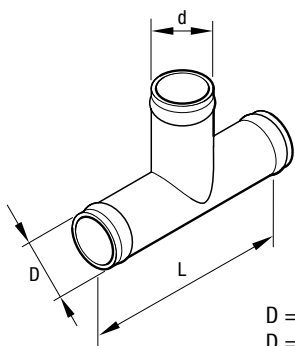
Airtronic	Airtronic M	Airtronic L	Air heater D8LC	Hydronic HS3 CS	Hydronic 16 / 24 / 30 / 35	Hydronic M-II	Part number
							25.2488.25.0000
							25.2488.99.2510
							25 2488 26 00 00
							25.2488.99.2610
							25.2217.27.0000





# PLUMBING

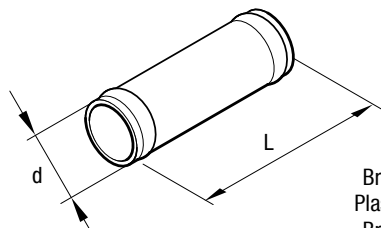
T-piece  
Brass



D = 18 mm, d = 15 mm, L = 60 mm  
D = 20 mm, d = 20 mm, L = 75 mm

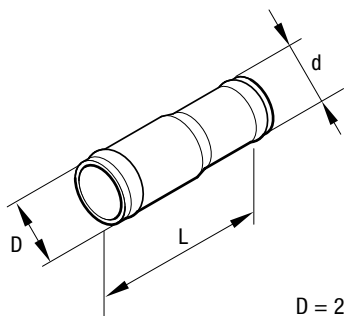
~ = Check connection diameter

Connection Pipe



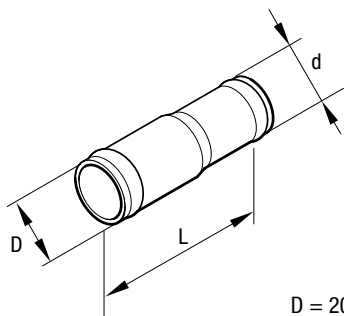
Brass, d = 18 mm, L = 55 mm  
Plastic, d = 20 mm, L = 60 mm  
Brass, d = 22 mm, L = 55 mm

Brass Reducer



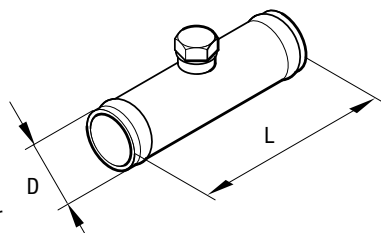
D = 20 mm, d = 18 mm L = 60 mm

Plastic Reducer



D = 20 mm, d = 18 mm, L = 60 mm

Ventilation Pipe  
Brass



D = 18 mm, L = 65 mm

~ = Check connection diameter

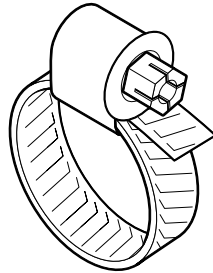
Airtronic	Airtronic M	Airtronic L	Air heater D8LC	Hydronic HS3 CS	Hydronic 16 / 24 / 30 /35	Hydronic M-II	Part number
				■	~		25.1214.89.1600
				~	■		20.1673.80.1100
				■	~		20.1528.88.0003
				~	■		22.1000.10.0103
				~	~		20.1645.89.0007
				■		■	20.1645.89.0006
				■		■	22.1000.10.0104
				■		■	20.1645.89.0006

■ unrestricted use ~ Restricted use

- 1
- 1
- 2
- 3
- 4
- 5

# PLUMBING

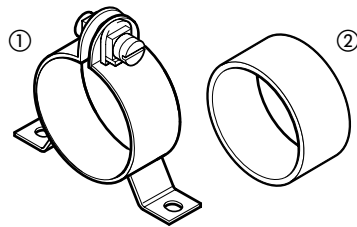
## Clamp



ID = 16-25 mm  
ID = 20-32 mm

Airtronic	Airtronic M	Airtronic L	Air heater D8LC	Hydronic HS3 CS	Hydronic 16 / 24 / 30 / 35	Hydronic M-II	Part number
				■			10.2067.01.6025
■	■	■		■	■		10.2066.02.0032

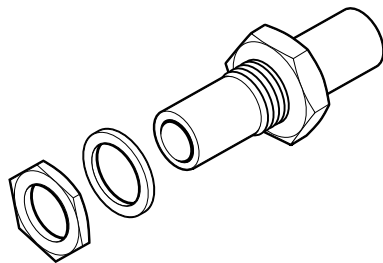
## Pump Clamp and Rubber Ring



Pump Clamp 48 mm 22  
Rubber Ring for Large FMP

							22.1000.50.1000 ①
			■	■			20.1449.00.1001 ②

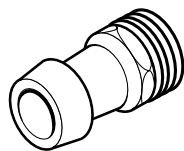
## Bulk Head Fitting



3/4" - 2 pieces required  
1/2 - 3/4 Straight Barb Connection

					■	■	20.2900.60.1010 5520068
--	--	--	--	--	---	---	----------------------------

## Brass Pump Fittings



3/4" NPT x 3/4" Barb

						■	20.2900.60.1002
--	--	--	--	--	--	---	-----------------

■ unrestricted use ~ Restricted use

1

1

2

3

4

5



## NOTES:

1

1

2

**3**

4

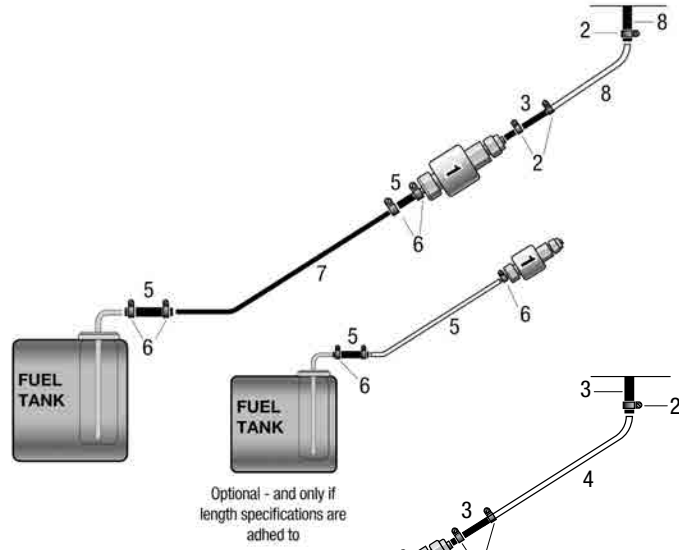
5



# FUEL SYSTEM GUIDE

This guide is to help in selecting which size fuel line, rubber hose and clamps are required for a specific heating system. Refer to the Fuel System section of this manual for specific part numbers. Cross-reference this information with the corresponding heater manual for maximum height and length specifications.

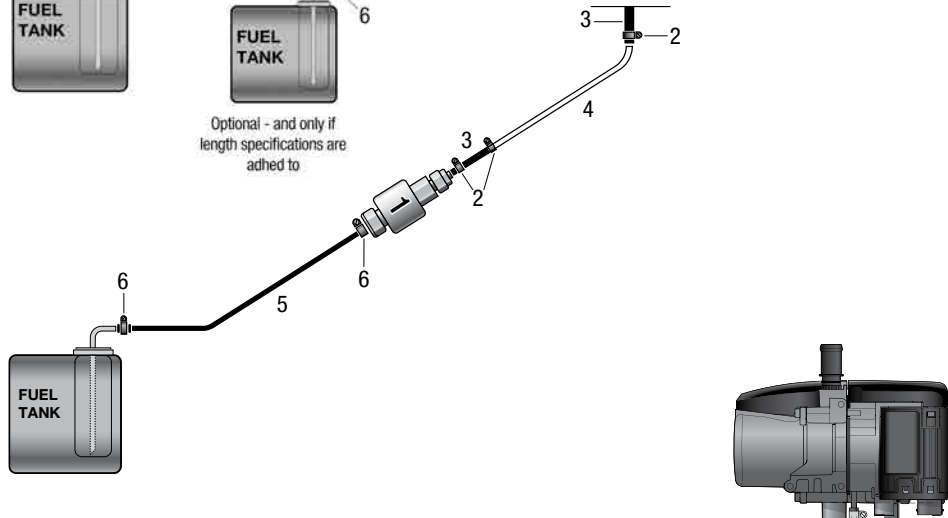
## AIRTRONIC S2/M4



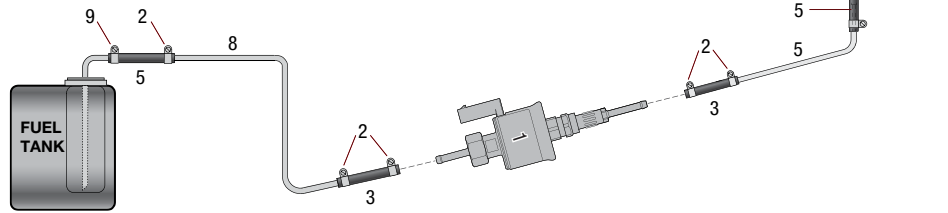
### LEGEND

1. Fuel Metering Pump
2. Clamp 9mm
3. Rubber Connector 3.5mm
4. White Plastic Fuel Line 2.0mm
5. Rubber Connector / Fuel Line 5.0mm
6. Clamp 11mm
7. Black Plastic Fuel Line 2.0mm
8. White Plastic Fuel Line 1.5mm
9. Adapter: d=4.5 / 3.5mm
10. Clamp 10mm

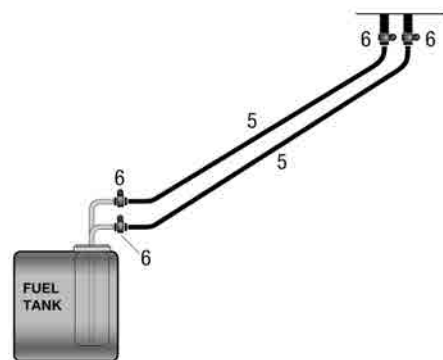
## D8LC HYDRONIC 10



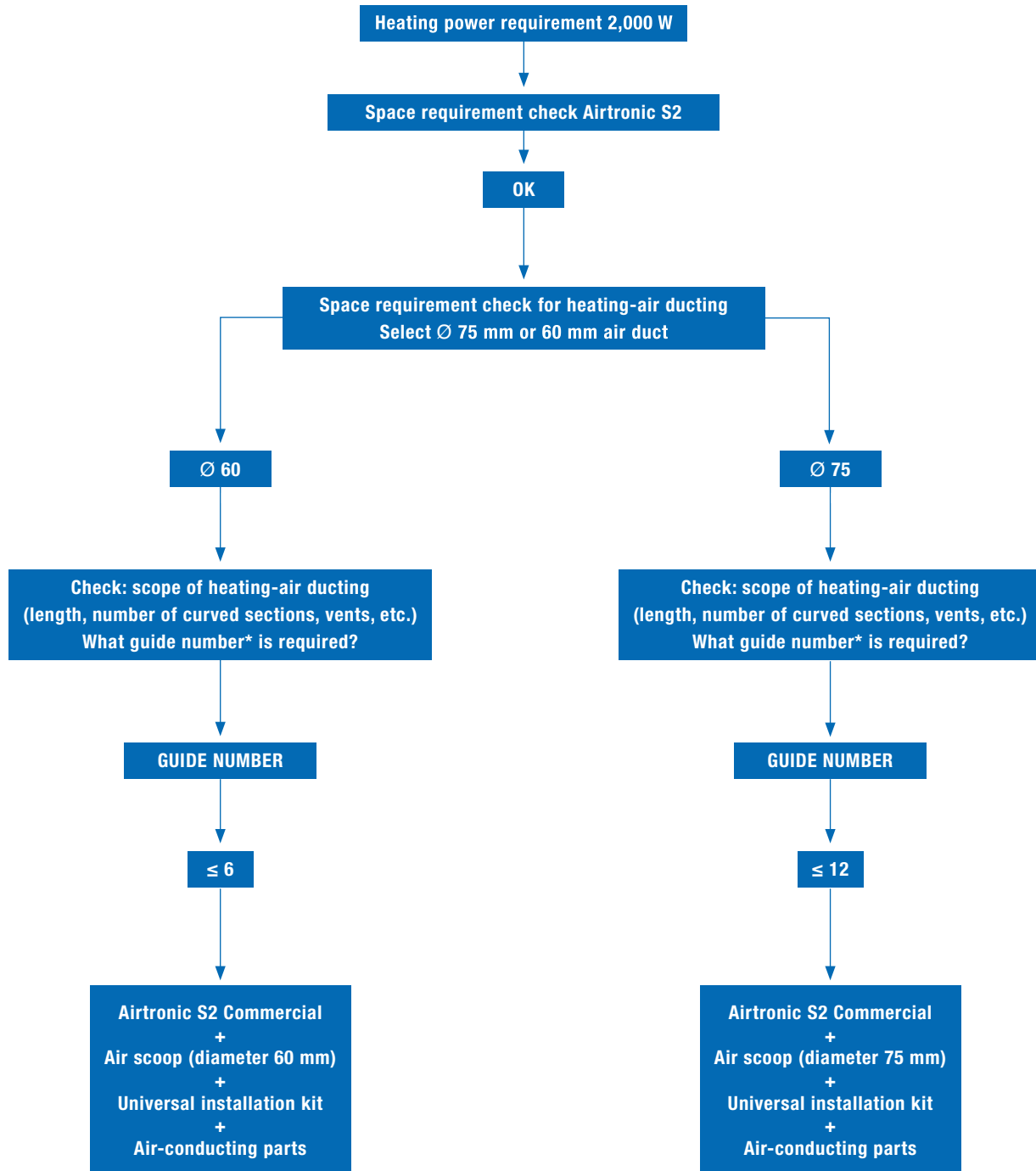
## HYDRONIC 5 HS3 CS



## HYDRONIC 16 HYDRONIC 24 HYDRONIC 30 HYDRONIC 35



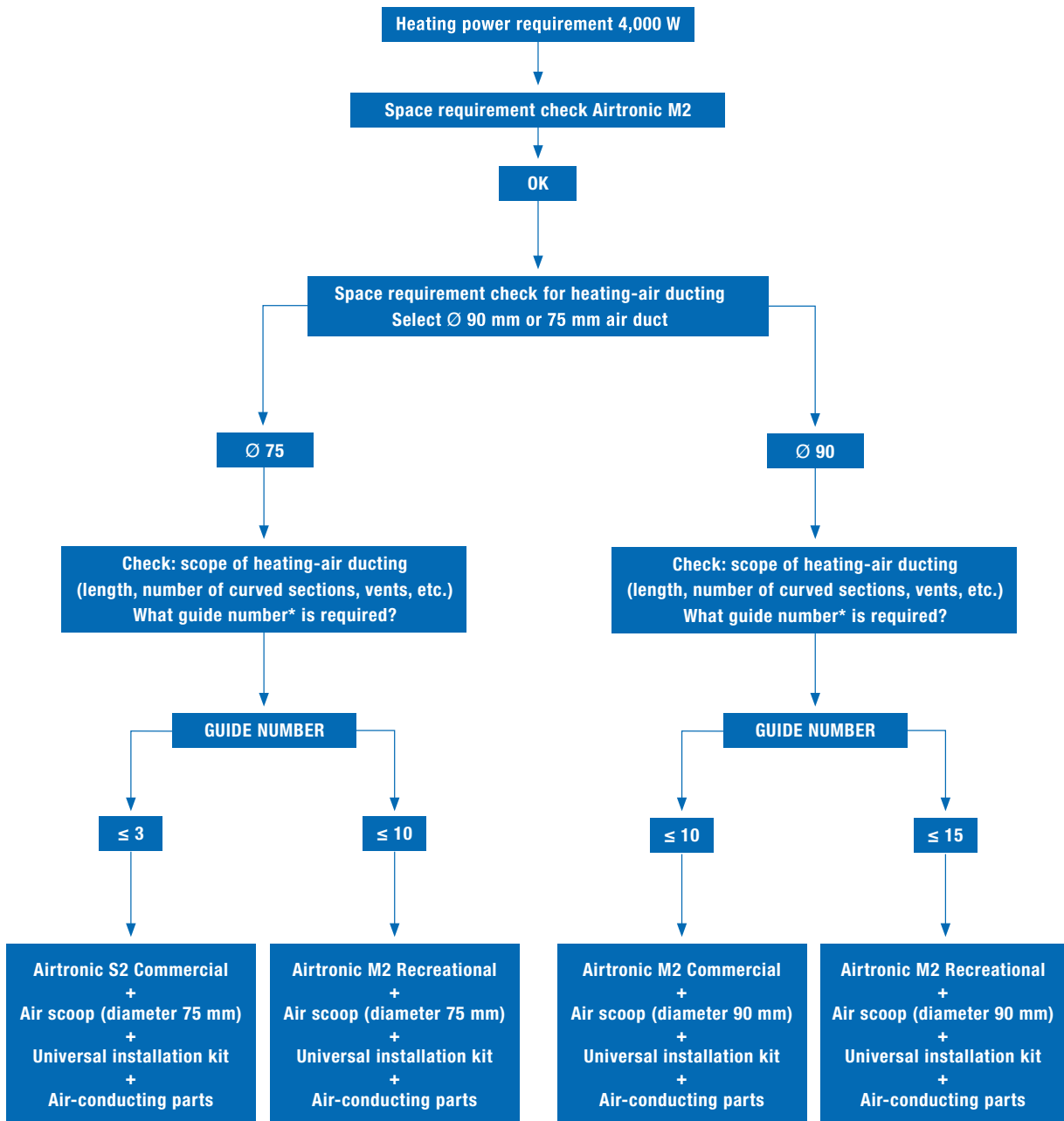
# DUCTING RATING GUIDE



\* Guide number: each component of the heating-air ducting (air hose, curved sections, vents, etc.) has a line guide number. The sum of these line guide numbers must not be greater than the guide number for the heater, otherwise the heater could malfunction – e.g. overheating. The higher the guide number for the heater, the more heating-air ducting components may be connected. Please refer to Eberspächer's Accessories catalog for a detailed explanation of guide numbers.

- 1
- 1
- 2
- 3
- 4
- 5

# DUCTING RATING GUIDE



1

1

2

3

4

5

# DUCTING RATING GUIDE

## GENERAL TIPS ON HEATING AIR DUCTING AND COMPONENT RATINGS

A heater has the biggest heating air throughput when it can operate with the air blowing freely. Heating air ducting components reduce the throughput. To enable you to check whether or not the installation you plan reduces the air throughput to an inadmissible degree, we have calculated a heater rating for each heater and a component rating for each heating air ducting component:

- 0 = no temperature increase
- = no component rating

The sum of component ratings for the heating air ducting components must not exceed the heater rating, otherwise the outlet temperature will become too high and trigger the safety cutout switch. If the sum of the component ratings exceeds the heater rating, it can be reduced by selecting a larger diameter for the air ducting parts.

### RULE OF THUMB:

Double the cross-section or two identical components running parallel = 1/4 of the rating.

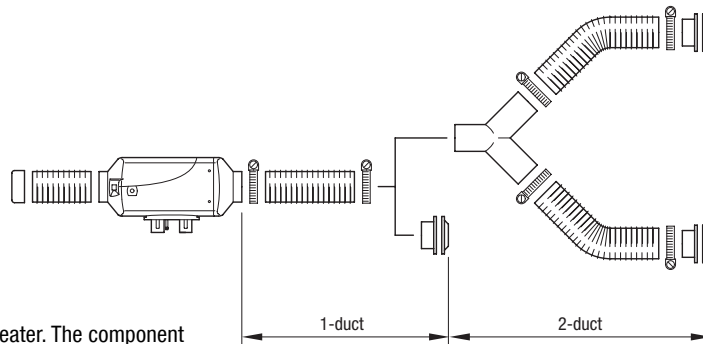
Example:

50 diameter hose  
A = 19.6 cm<sup>2</sup>, R rating 1.0

75 diameter hose  
A = 44.2 cm<sup>2</sup>, R rating 0.25

The component rating of smooth welded pipes is only half that of flexible pipe of equal diameter (e.g. double the pipe length).

## MAIN-LINE DRAWING FOR 1-DUCT AND 2-DUCT HEATING AIR SYSTEM



### 1-DUCT MEANS:

A heating duct leads to or from heater. The component ratings under "1-duct" are valid.

### 2-duct means:

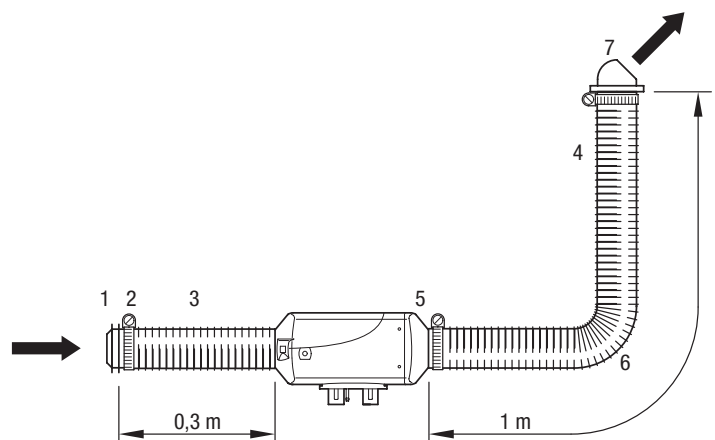
The heating air line branches into two ducts after the heater. Up to the branch the component ratings under "1-duct" are valid, after the branch they fall under "2-duct". If an adjustable outlet is used in the 2-duct heating system, one duct must be unclosable.

Note: When determining the sum of the component ratings, do not take the closable duct into consideration.

## EXAMPLE OF HEATING AIR DUCTING FOR AIRTRONIC D2

Heater Rating = 6

ITEM	DESIGNATION	COMPONENT RATING
1	Protective grille	0.5
2	Connection piece 60mm dia.	0
3	Flex. pipe, 60mm dia. 0.3m long	0.3
4	Flex. pipe, 60mm dia, 1.0m long	1.0
5	Reduction hood 60mm straight	0
6	1 x 90° bends of flex. pipe	0.2
7	Swivel outlet	3.2
<b>Total Component Rating</b>		<b>5.2</b>



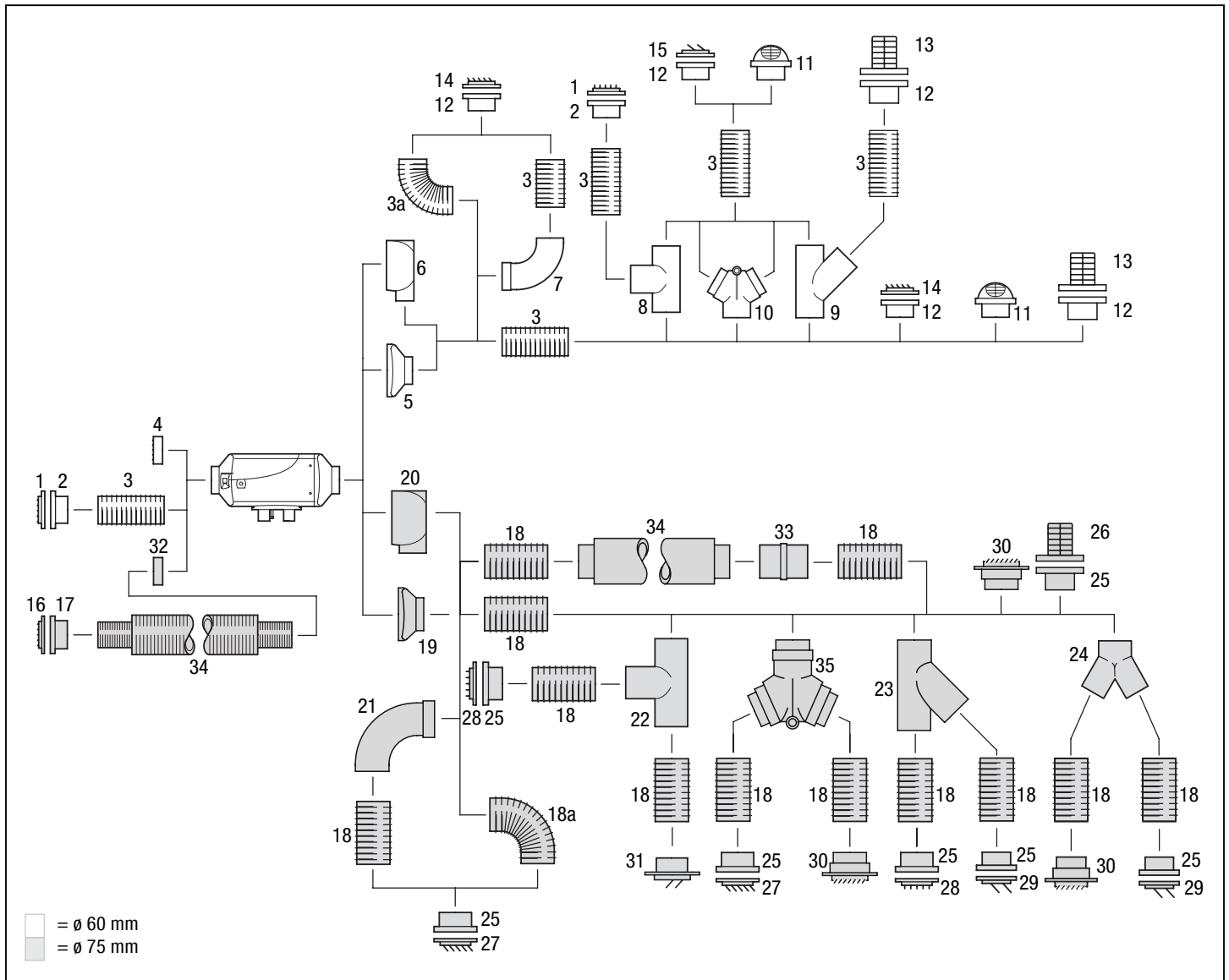
Rating sum = 5.2 and does not exceed the heater rating of 6. The installation is permissible.

- 1
- 1
- 2
- 3
- 4
- 5

# DUCTING RATING GUIDE FOR AIRTRONIC S2 COMMERCIAL

Heater Rating 6 - applies with a 60mm dia. outlet hood.  
 Heater Rating 12 - applies with a 75mm dia. outlet hood.

The sketch shows how the most important air ducting parts that can be used. They are not intended as examples of installation.



- 1
- 1
- 2
- 3
- 4
- 5

## DUCTING RATING GUIDE FOR AIRTRONIC S2 COMMERCIAL

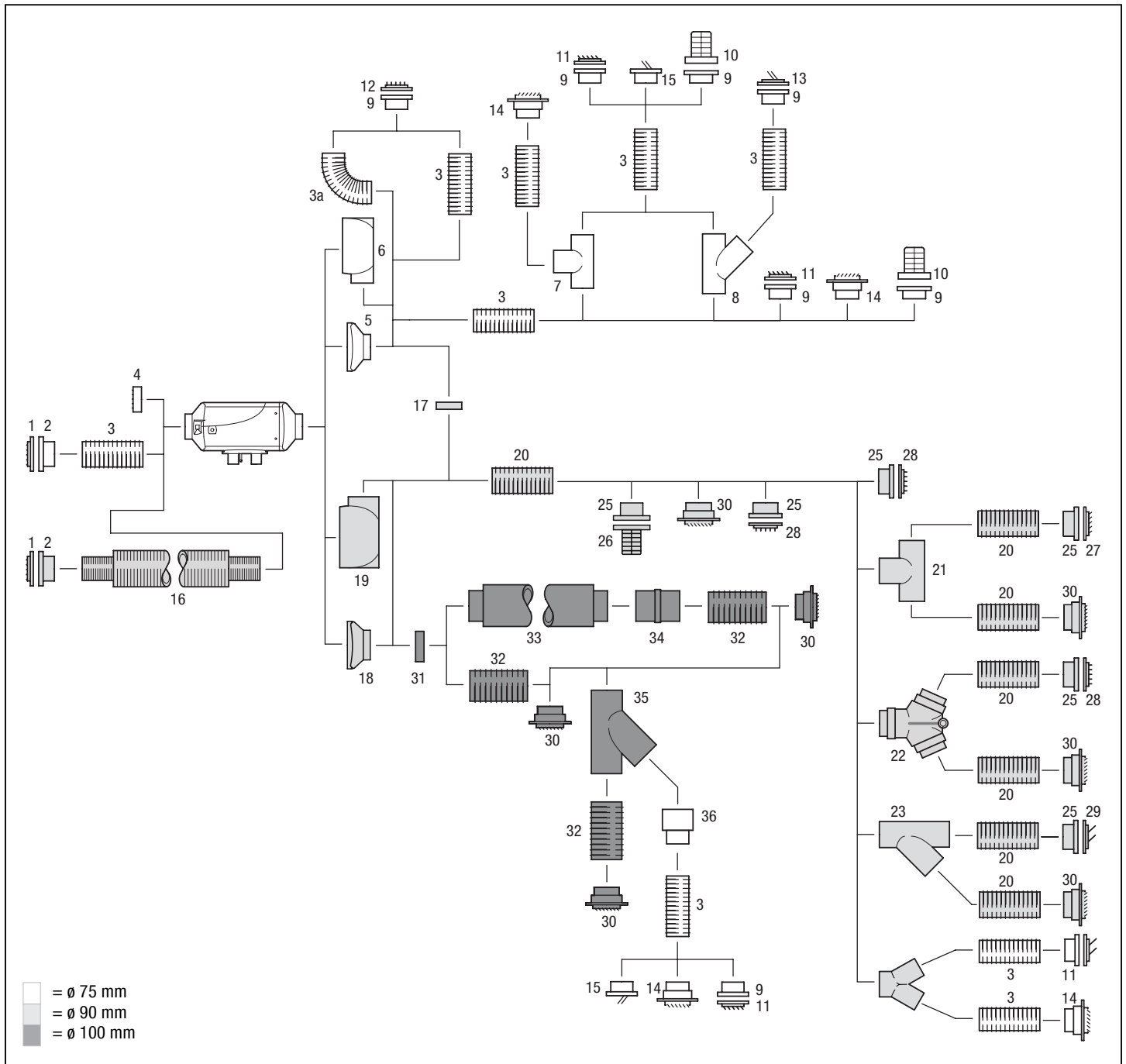
DESIGNATION (measurements in millimeters)	COMPONENT / DUCT RATING		PARTS LIST NUMBER	
	Single duct	Multi duct		
<b>AIRTRONIC D2 WITH REDUCTION HOOD 60 DIA. (HEATER RATING 6)</b>				
1	Grille (Inlet & Outlet) $\varnothing$ 60	0.4	0.1	1
2	Connecting socket, $\varnothing$ 60	0	0	2
3	Flexible pipe, $\varnothing$ 60 (per metre)	1	0.25	3
3a	90° Bend, flexible pipe, $\varnothing$ 60	0.2	-	3
4	Protective grille - Heater $\varnothing$ 60	0	-	4.1
5	Reduction hood, (Straight) $\varnothing$ 60	0	0	5
6	Reduction hood, (Spherical, 90°) $\varnothing$ 60	4.8	-	6
7	90° Bend, plastic elbow, $\varnothing$ 60	4	-	7
8	T-piece, $\varnothing$ 60 x $\varnothing$ 60 x $\varnothing$ 60	1.4	0.25	8
9	Y-piece, 45°, $\varnothing$ 60 x $\varnothing$ 60 x $\varnothing$ 60	-	1	9
10	Butterfly valve with regulating flap, $\varnothing$ 60 x $\varnothing$ 60 x $\varnothing$ 60 (Position "right/left")	-	0.6	10
11	Outlet grill with connecting piece (rotatable) $\varnothing$ 60	3.2	0.8	11
12	Ducting flange (plastic connecting piece) $\varnothing$ 60	0	0	12
13	Up right vent 90° (rotatable) $\varnothing$ 60	0.8	0.15	13
14	Outlet screen (flat) 30° (rotatable) $\varnothing$ 60	0.5	0.15	14
15	Outlet screen (closeable, rotatable) $\varnothing$ 60	-	-	15
<b>AIRTRONIC D2 HEATING AIR DUCTING WITH REDUCTION HOOD, <math>\varnothing</math> 75 (HEATER RATING 12)</b>				
16	Grille (Inlet & Outlet) $\varnothing$ 75	0.4	0.1	1
17	Connecting socket, $\varnothing$ 75	0	0	2
18	Flexible pipe, $\varnothing$ 75 (per metre)	1	0.25	3
18a	90° Bend, flexible pipe, $\varnothing$ 75	1.2	-	3a
19	Reduction hood, (Straight) $\varnothing$ 75	0	0	5
20	Reduction hood, (Spherical 90°) $\varnothing$ 75	6	-	6
21	90° Bend, plastic elbow, $\varnothing$ 75	4.5	-	7
22	T-piece, $\varnothing$ 75 x $\varnothing$ 75 x $\varnothing$ 75	-	0.8	8
23	Y-piece, 45°, $\varnothing$ 75 x $\varnothing$ 75 x $\varnothing$ 75	-	0.6	9
24	Y-piece, Symmetrical, $\varnothing$ 75 x $\varnothing$ 60 x $\varnothing$ 60	-	0.8	9.2
25	Ducting flange (plastic connecting piece) $\varnothing$ 75	0	0	12
26	Up right vent 90° (rotatable) $\varnothing$ 75	0.8	0.15	13
27	Outlet screen (flat) 30° (rotatable) $\varnothing$ 75	0.5	0.15	14
28	Outlet screen (flat) 0° (rotatable) $\varnothing$ 75	0.5	0.15	14.1
29	Outlet screen (closeable, rotatable) $\varnothing$ 75	-	-	15
30	Outlet vent with flange (rotatable) $\varnothing$ 75 - $\varnothing$ 100	0.6	0.2	16
31	French vent with flange (closeable) $\varnothing$ 75	-	-	-
32	Adaptor ring ( $\varnothing$ 60 to $\varnothing$ 75)	-	-	17
33	Ducting union (straight connector) $\varnothing$ 75	0.5	0.1	18
34	Air silencer (inlet and outlet) $\varnothing$ 75	0.7	-	19
35	Butterfly valve with regulating flap, $\varnothing$ 75 x $\varnothing$ 75 x $\varnothing$ 75 (Position "middle / right, left")	-	1.2 / 0.6	10

1  
1  
2  
3  
4  
5

# DUCTING RATING GUIDE FOR AIRTRONIC M2 COMMERCIAL

Heater Rating 3 - applies with a 75mm dia. outlet hood.  
 Heater Rating 10 - applies with a 90mm dia. outlet hood.

The sketch shows how the most important air ducting parts that can be used. They are not intended as examples of installation.



## DUCTING RATING GUIDE FOR AIRTRONIC M2 COMMERCIAL

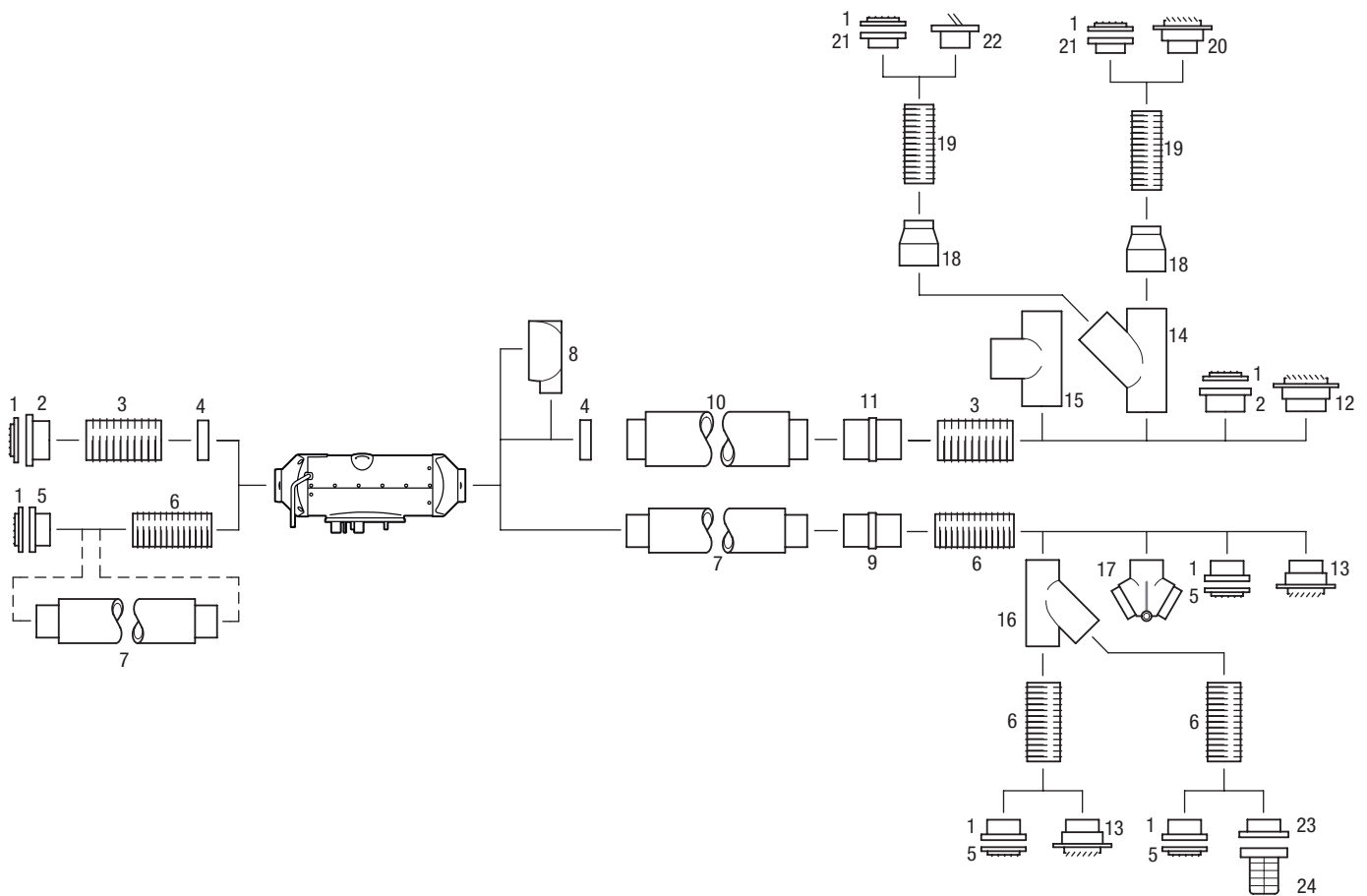
DESIGNATION (measurements in millimeters)		COMPONENT / DUCT RATING				PARTS LIST NUMBER
		Single duct ø 75	ø 90	Multi duct ø 75	ø 90	
<b>AIRTRONIC D4 HEATING AIR DUCTING WITH REDUCTION HOOD 75 DIA. (HEATER RATING 3)</b>						(See page 59)
1	Grille, (inlet & outlet), ø 75	0.4		0.1		1
2	Connecting socket, ø 75	0	-	0	-	2
3	Flexible pipe, ø 75 (per metre)	1	-	0.25	-	3
3a	90° Bend, flexible pipe, ø 75	0.2	-	0	-	3
4	Protective grille - heater, ø 75	2.0	-	-	-	4.1
5	Reduction hood, (Straight) ø 75	0	-	-	-	5
6	Reduction hood, (Spherical, 90°) ø 75	2.0	-	-	-	6
7	T-piece, ø 75 x ø 75 x ø 75	-	-	0.5	-	8
8	Y-piece, 45°, ø 75 x ø 75 x ø 75	-	-	0.6	-	9
9	Ducting flange (connecting piece) ø 75	0	-	0	-	12
10	Up right vent 90° (rotatable) ø 75	1.1	-	0.3	-	13
11	Outlet screen (flat, 30°, rotatable) ø 75	0.3	-	0.1	-	14
12	Outlet screen (flat, 0°, rotatable) ø 75	0.3	-	0.1	-	14.1
13	Outlet screen (closable, rotatable) ø 75	-	-	-	-	15
14	Outlet vent with flange (rotatable) ø 75 - ø 100	0.8	-	-	-	16
15	French vent with flange (closable) ø 75	-	-	-	-	-
16	Air silencer ø 75	0.8	-	-	-	19
17	Adapter ring (ø 75 x ø 90)	0.5	-	-	-	17
<b>AIRTRONIC D4 WITH REDUCTION HOOD, ø 90 (HEATER RATING 10)</b>						
18	Reduction hood (straight) ø 90	0	-	-	-	5
19	Reduction hood (spherical 90°) ø 90	-	5.0	-	-	6
20	Flexible pipe, ø 90 (per metre)	-	1	-	2.5	3
21	T-piece, ø 90 x ø 90 x ø 90	-	0	-	-	8
22	Butterfly valve with regulating flap, ø 90 x ø 90 x ø 90 (Position "middle / right, left")	-	1.2 / 1.4	-	-	10
23	Y-piece, 45°, ø 90 x ø 90 x ø 90	-	-	-	-	9
24	Y-piece, Symmetrical, ø 90 x ø 75 x ø 75	-	-	-	0.9	9.1
25	Ducting flange (plastic connecting piece) ø 90	-	2.2	-	0.5	12
26	Up right vent 90° (rotatable) ø 90	-	2.4	-	0.6	13
27	Outlet screen (flat) 30° (rotatable) ø 90	-	2.0	-	0.4	14
28	Outlet screen (flat) 0° (rotatable) ø 90	-	1.1	-	0.3	14.1
29	Outlet screen (closable and rotatable) ø 90	-	-	-	-	15
30	Outlet vent with flange (rotatable) ø 90 - ø 100	-	2.2	-	0.5	16
31	Adapter ring (ø 90 to ø 100)	-	0	-	-	17
32	Flexible pipe, ø 100 (per metre)	-	0.4	-	-	3
33	Air silencer (inlet and outlet) ø 100	-	0.5	-	-	19
34	Ducting union (connector) ø 100	-	0.1	-	0.3	18
35	Y-piece, 45° (ø 100 x ø 100 x ø 100)	-	-	-	0.5	9
36	Plastic reducer (for 4-piece & ducting union) (ø 100 to ø 75)	-	3.2	-	0.8	17

1  
1  
2  
3  
4  
5

# DUCTING RATING GUIDE FOR AIRTRONIC 5

## Heater Rating 10

The sketch shows how the most important air ducting parts that can be used. They are not intended as examples of installation.



- 1
- 1
- 2
- 3
- 4
- 5

## DUCTING RATING GUIDE FOR AIRTRONIC 5

DESIGNATION (measurements in millimeters)		COMPONENT RATING		PARTS LIST NUMBER
		1-duct	2-duct	
Heating air ducting with reduction hood 90 dia. (heater rating 10)		Single duct	Multi duct	(See page 59)
1	Grille	0.6	0.2	1
2	Connecting socket, metal, 100 dia.	0	0	2
3	Flexible pipe, 100 dia. per m	0.6	0.2	3.1
	Bend, 90° of flexible pipe, 100 dia.	0.6	-	3
4	Grille, 90x100 dia.*	0	-	4
5	Connector piece, 90 dia.	0	0	2
6	Flexible pipe, 90 dia. per m	1.0	0.25	3
	Bend, 90° of flexible pipe, 90 dia.	0.2	-	3
7	Silencer, 90 dia.	0.8	-	19
8	Spherical reduction hood, 90 dia.	8	-	6
9	Connector, 90 dia.	0.5	0.1	18
10	Silencer, 100 dia.	0.5	-	19
11	Connector, 100 dia.	0.4	0.1	18
12	Outlet grill (rotatable) 100 dia.	2	0.5	16
13	Outlet grill (rotatable) 90 dia.	2	0.5	16
14	Y-piece 100x100x100 dia.	-	0.5	
15	T-piece 100x100x100 dia.	-	0.5	
16	Y-piece 90x90x90 dia.	-	0.6	9
	Regulating valve 90x90x90 dia.			10
17	Position "middle"	-	1.1	
	Position "right/left"	1	-	
18	Reduction piece, 100 dia. - 75 dia.	3.2	-	17
19	Flexible pipe, 75 dia. per m	4	1	3
	Bend, 90°- of flexible pipe, 75 dia.	-	0.5	3
20	Outlet grill (rotatable) 75 dia.	-	1.25	16
21	Connecting socket, metal, 75 dia.	0	0	12
22	Round outlet, 75 dia., closing	-	-	14
23	Connector, 90 dia.	0	0	12
24	Outlet grill	3	0.8	13

\* Pos. 4 - if used as adapter 90 x 100 dia., cut out the mesh.

1

1

2

3

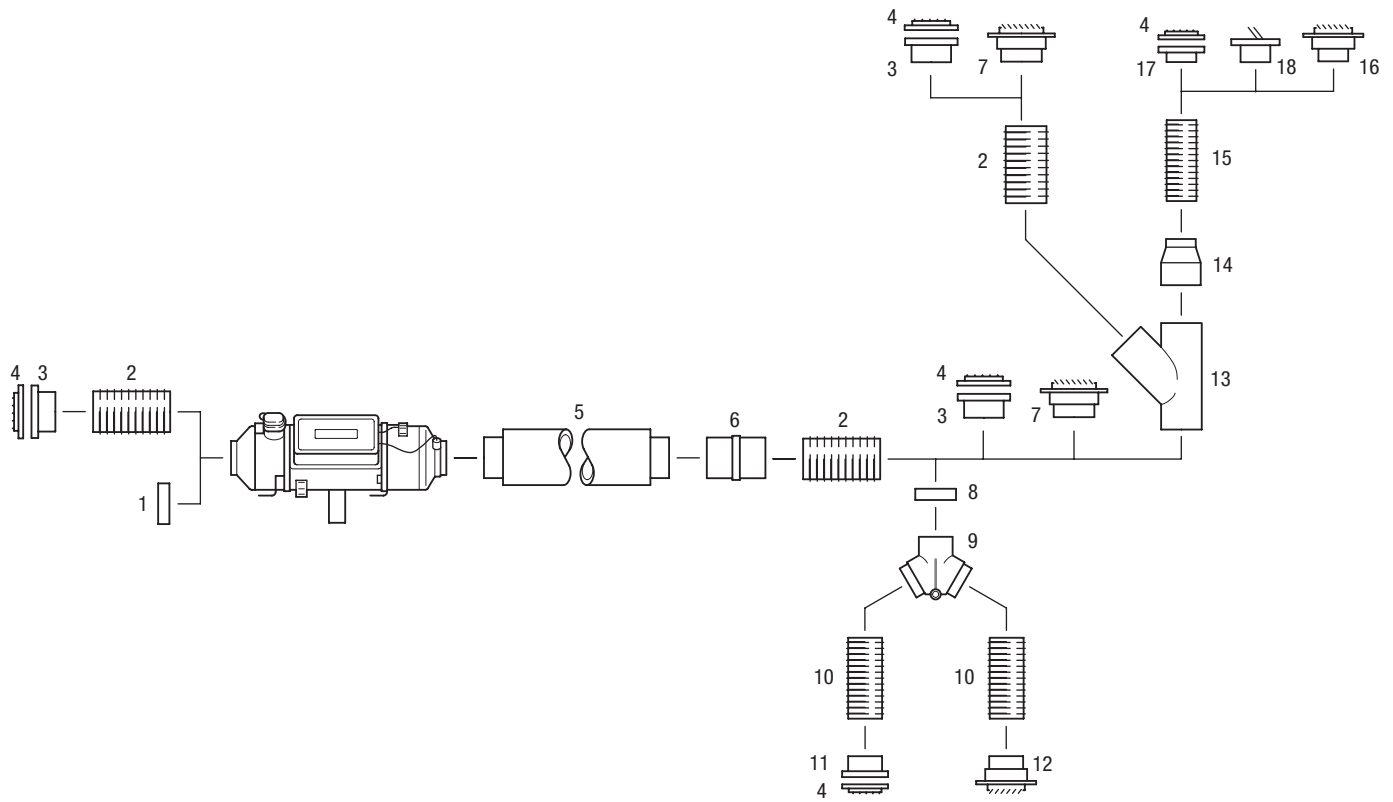
4

5

# DUCTING RATING GUIDE FOR D8LC

## Heater Rating 8

The sketch shows how the most important air ducting parts that can be used. They are not intended as examples of installation.



- 1
- 1
- 2
- 3
- 4
- 5

## DUCTING RATING GUIDE FOR D8LC

	DESIGNATION (measurements in millimeters)	COMPONENT RATING		PARTS LIST NUMBER
		1-duct	2-duct	
	Heating air ducting with reduction hood 90 dia. (heater rating 10)	Single duct	Multi Duct	(See page 59)
1	Grille, 100 dia.	0.1	-	1
2	Flexible pipe, 100 dia., per m	1.0	0.251	3.1
-	Pipe bend, 90°, of flex. pipe, 100 dia.	0.5	0.15	3
3	Connecting socket, metal, 100 dia.	0	0	2
4	Grille, painted, 100 dia.	1.8	0.1	1
-	Grille, nickel-plated, 100 dia.	1.8	0.1	
5	Silencer, 100 dia.	1.1	0.25	19
6	Connector socket, 100 dia.	0.5	0.1	18
7	Outlet grill (rotatable), 100 dia.	5.5	1.2	16
8	Grille, 90x100 dia.*	0	-	1
9	Regulating valve 100x100x100 dia.	-	2.6	10
10	Flexible pipe, 90 dia., per m	3	0.8	3
11	Connecting socket, metal, 90 dia.	0	0	12
12	Outlet grill (rotatable) 90 dia.	-	1.4	13
13	Y-pipe 100x100x100 dia.	-	0.4	9
14	Reduction piece, 100 dia. - 74 dia.	6.1	-	9.1
15	Flexible pipe 75 dia. per m	-	2	3
-	Pipe bend, 90° of flex. pipe, 75 dia.	-	1.1	3
16	Outlet grill (rotatable) 75 dia.	-	-	13
17	Connector socket, 75 dia.	0	0	12
18	Connecting socket, metal, 75 dia.	-	-	2

\*Pos. 8 - if used as adapter 90x100 dia., cut out the mesh.

1

1

2

3

4

5