



PARTS CATALOG

United States of America

OMC Parts & Accessories
3225 N. Prairie Avenue
Beloit, Wisconsin 53511 U.S.A.

Canada

Outboard Marine Corporation of Canada, Ltd.
910 Monaghan Road
Peterborough, Ontario, Canada
K9J7B6 (postal code)

Caribbean, Mexico, Central America, South America

Outboard Marine International, Inc.
403 Sawgrass Corporate Parkway
Sunrise, Florida 33325 U.S.A.

Europe, Middle East, Africa

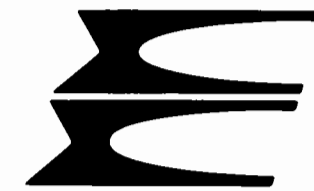
Outboard Marine Belgium, N.V.
Pathoekeweg 120
8000 Brugge, Belgium

Australia, New Zealand, Southwest Pacific

Outboard Marine Australia Pty. Ltd.
84 Canterbury Road
Bankstown, New South Wales
Australia, Sydney 70-0701

Bangladesh, Brunei, Burma, Guam, Hong Kong, India, Indonesia, Japan, Korea, Macau, Malaysia, Maldives, Micronesia, Pakistan, People's Republic of China, Philippines, Singapore, Sri Lanka, Taiwan, Thailand

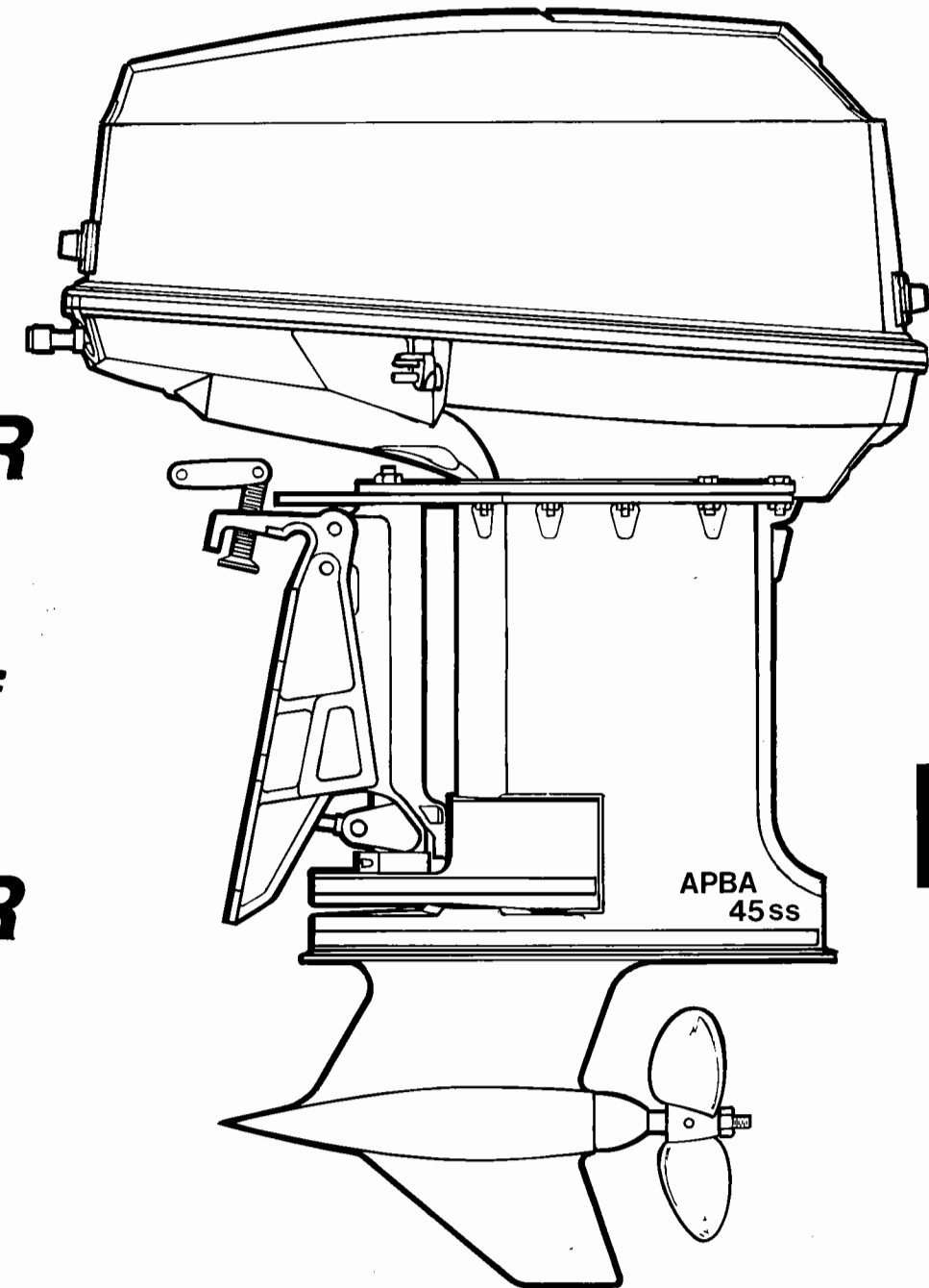
Outboard Marine Asia, Ltd.
No. 35-47
Tsing Yi Road
Tsing Yi Island, N.T.
Hong Kong



ERTE-12R
ERT-12R



JRTE-12R
JRT-12R



45SS

FINAL EDITION



Note

WHEN REPLACEMENT PARTS ARE REQUIRED, USE GENUINE OMC PARTS OR PARTS WITH EQUIVALENT CHARACTERISTICS INCLUDING TYPE, STRENGTH, AND MATERIAL. FAILURE TO DO SO MAY RESULT IN PRODUCT MALFUNCTION AND POSSIBLE INJURY TO THE OPERATOR.

OUTBOARD MARINE CORPORATION, MANUFACTURER OF THIS 45SS RACING OUTBOARD, RESERVES THE RIGHT TO MAKE CHANGES AT ANY TIME, WITHOUT NOTICE, IN SPECIFICATIONS AND MODELS AND ALSO TO DISCONTINUE MODELS. THE RIGHT IS ALSO RESERVED TO CHANGE ANY SPECIFICATIONS OR PARTS AT ANY TIME WITHOUT INCURRING ANY OBLIGATION TO EQUIP SAME ON MODELS MANUFACTURED PRIOR TO DATE OF SUCH CHANGE.

WHILE THE INFORMATION CONTAINED IN THIS PARTS CATALOG IS BASED ON THE LATEST PRODUCT INFORMATION AVAILABLE AT THE TIME OF PUBLICATION, THE CONTINUING ACCURACY OF THIS PARTS CATALOG CANNOT BE GUARANTEED.

ALL ILLUSTRATIONS USED IN THIS PARTS CATALOG MAY NOT DEPICT ACTUAL MODELS OR EQUIPMENT AND ARE INTENDED AS REPRESENTATIVE VIEWS FOR REFERENCE ONLY.

REF. NO. PRECEDED BY A ★ ARE AVAILABLE ONLY FROM:

**SECOND EFFORT PERFORMANCE PRODUCTS, INC.
P.O. BOX 69
HIGHWAY 27
LAKE HAMILTON, FLORIDA 33851
(813) 439-3651**

ALL OTHER PART NUMBERS ARE AVAILABLE THROUGH EVINRUDE® AND JOHNSON® DEALERS FROM OMC PARTS AND ACCESSORIES DISTRIBUTORS.

USE SAFETY WIRE PART NUMBER 333003 AS REQUIRED FOR REPLACEMENT.

PART NUMBERS NEW FOR THIS MODEL YEAR CAN BE IDENTIFIED BY THE BOX SYMBOL ■ IN NAME OF PART COLUMN.

INDENTED PART NAMES INDICATE THAT THESE PARTS ARE INCLUDED IN PRECEDING ASSEMBLY

REWIND STARTER

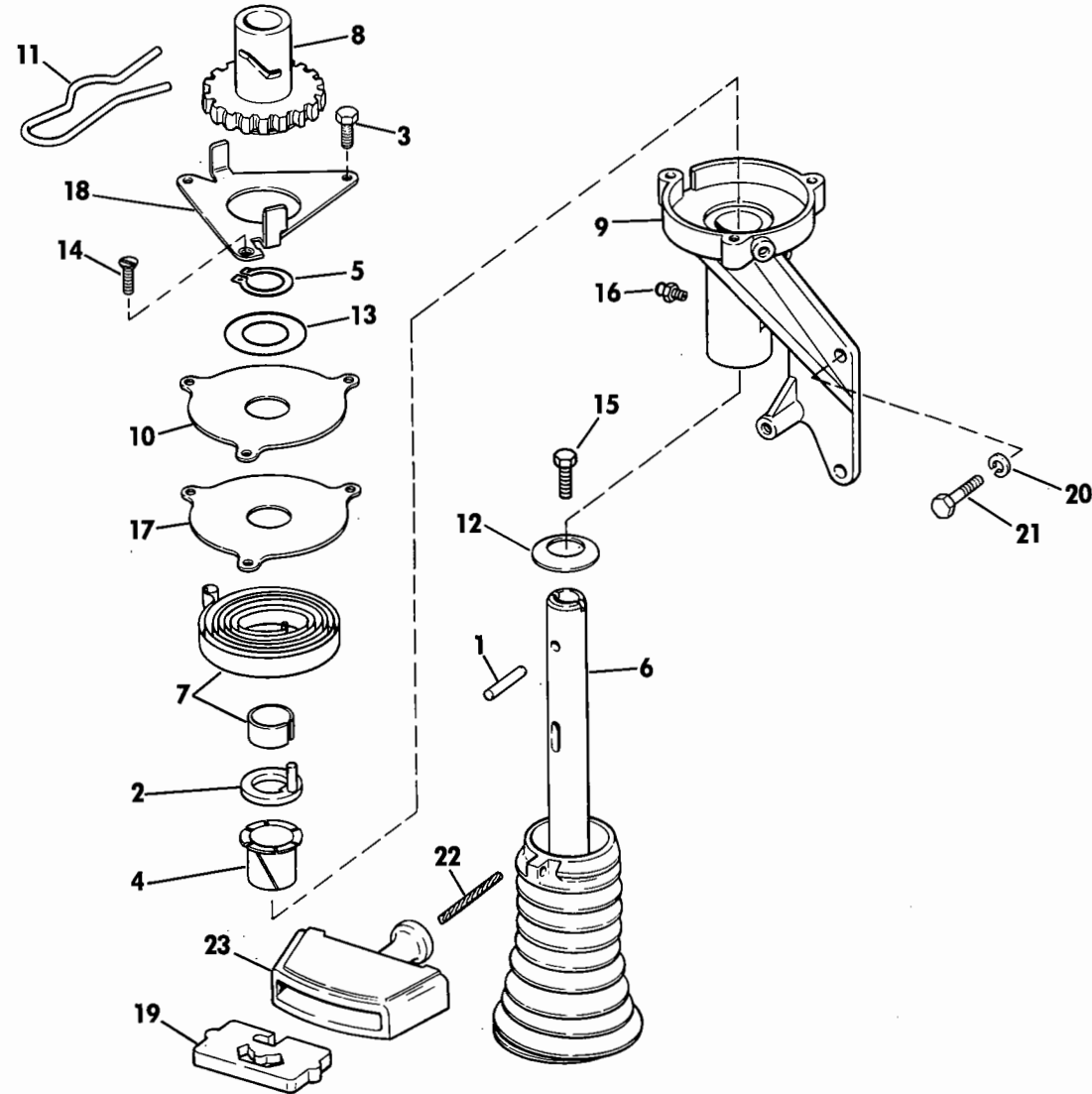


TABLE OF CONTENTS

Engine Cover	4, 5
Lower Engine Cover	6
Ignition System	7
Carburetor	8
Intake Manifold	9
Fuel Pump and Filter	10
Primer System	11
Crankshaft and Piston	12
Cylinder and Crankcase	13
Midsection	14
Gearcase	16
Electric Starter & Solenoid	18
Dash Panel	19
Power Trim Kit	20
Rewind Starter	22

STA00016
12-05-87

861222

45SS

Ref.	P/N	Name of Part	Qty.	Ref.	P/N	Name of Part	Qty.
*	397805	STARTER ASSEMBLY	1	13	327522	WASHER	1
1	307949	PIN, Pinion	1	14	302104	SCREW, Latch to bracket	1
2	392209	THRUST WASHER, Starter	1	15	329894	SCREW, Pin, starter pinion	1
3	317602	SCREW, Cover to bracket	2	16	313607	LUBRICATION FITTING	1
4	317382	BUSHING, Starter shaft	1	17	324328	LINER, Upper, starter	1
5	908141	RETAINING RING	1	18	324329	LATCH, Spring pinion	1
6	392207	SPOOL	1	19	304325	ANCHOR, Starter rope	1
7	392208	SPRING, Starter rewind	1	20	306470	LOCKWASHER	3
8	322835	PINION, Starter	1	21	306416	SCREW, Starter mounting	3
9	323931	BRACKET, Rewind starter	1	22	#	ROPE, Rewind starter	1
10	323833	COVER, Starting bracket	1	23	205971	HANDLE, Starter rope, Ev.	1
11	317531	SPRING, Pinion drag	1	23	313154	HANDLE, Starter rope, Jo.	1
12	318617	SPRING, Washer	1				

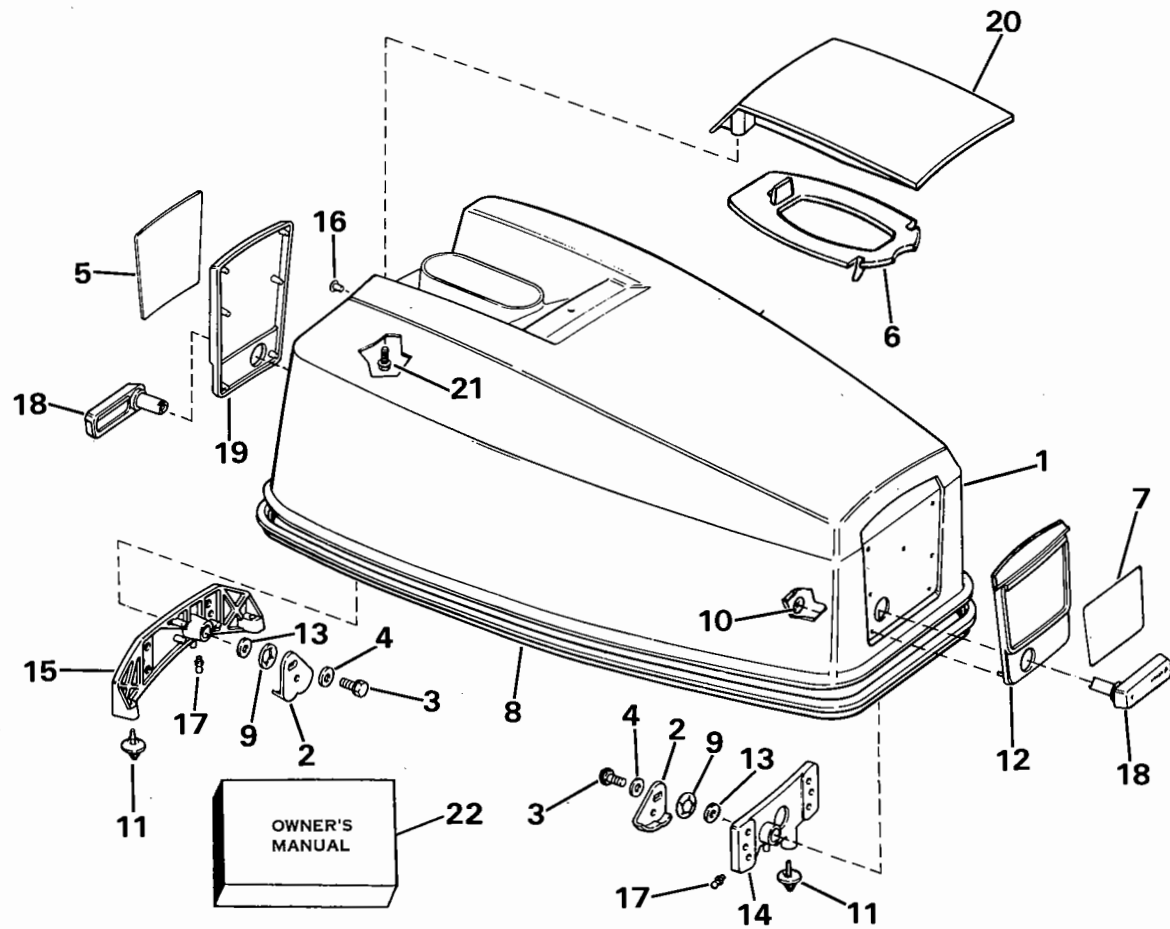
* Not Shown

Cut from 100 ft. Roll, P/N 316705. Cutting length 57 in.

E.S. NO.	PAINT	SPRAY	1 QT. CAN
1655	PRIMER	172757	376015
1678	WHITE	173744	392036
1741	BLUE	282924	N/A
1748	BLACK	330446	330445
1756	SILVER	282342	N/A

ENGINE COVER - EVINRUDE

POWER TRIM KIT



ECU00027
12-04-87

Ref.	P/N	Name of Part	Qty.
1	283143	ENGINE COVER ASSY., Evinrude	1
2	330252	HOOK, Front and rear cover	2
3	304027	SCREW, Hook	2
4	328703	WASHER, Screw hook	2
★5	210844	PLATE, Applique, rear	1
6	210296	BAFFLE, Tilt handle	1
★7	210845	PLATE, Applique, front	1
8	210803	SEAL, Cover, upper	1
9	553766	BOW WASHER	2
10	317223	FASTENERS	10
11	315159	BUMPER, Locating brackets	3
12	210804	APPLIQUE, Front	1
13	321863	WASHER, Latch	2

* Not Shown
① Rope Start Only
② Electric Start Only

Ref.	P/N	Name of Part	Qty.
14	210510	LOCATING BRKT., Front	1
15	210509	LOCATING BRKT., Rear	1
16	326948	RIVET, Locating brackets	6
17	313607	LUBE FITTING	2
18	283130	LATCH, Handle	2
19	210805	APPLIQUE, Rear	1
20	208181	TILT HANDLE	1
21	323228	SCREW, Tilt handle, rear	2
21	323229	SCREW, Tilt handle, front	1
22	210894	OWNER'S MANUAL ①	1
22	211061	OWNER'S MANUAL ②	1
*	283373	DECAL SET	1

871172

48SS

PTT00002
05-31-88

Ref.	P/N	Name of Part	Qty.
★*	568055	POWER TRIM KIT	1
1	568049	CYLINDER ASSY., Power trim	1
2	303059	O-RING, End cap to rod	1
3	122882	O-RING, End cap to cyl.	1
4	122884	O-RING, Piston	1
5	561074	CONNECTOR, Oil line	1
6	321117	O-RING, Connector	1
7	122510	ELBOW, Oil line	1
8	982376	HOSE ASSY., Power trim	2
*	172655	PUMP & MOTOR ASSY.	1
*	172850	MTR. & RESERVOIR ASSY.	1
9	172851	ARMATURE	1
10	122788	BALL, Steel	1
11	172852	FRAME & FIELD ASSY.	1
12	122619	CONNECTOR	1
13	122790	GASKET	2
14	172853	HEAD ASSY., Comm. end	1
15	172854	BRUSH SET	1
16	172855	RESERVOIR ASSY.	1
17	382950	SPRING SET, Brush	1
18	172856	THRU BOLT, Pkg.	1
19	314372	WASHER, Arm, thrust	AR
20	172857	VALVE BODY & GEARCASE ASSY.	1
21	172601	MANUAL RLF. PARTS PKG.	1
22	309996	O-RING, 7/16 in. (11mm) O.D.	1
23	122791	O-RING, 3.879 in. (98mm) O.D.	1
24	306357	SCREW, Short, 5/8 in. (16mm)	3
25	132123	SCREW, Long, 1 1/4 in. (32mm)	1
*	173569	CHECK VALVE REPAIR KIT	1

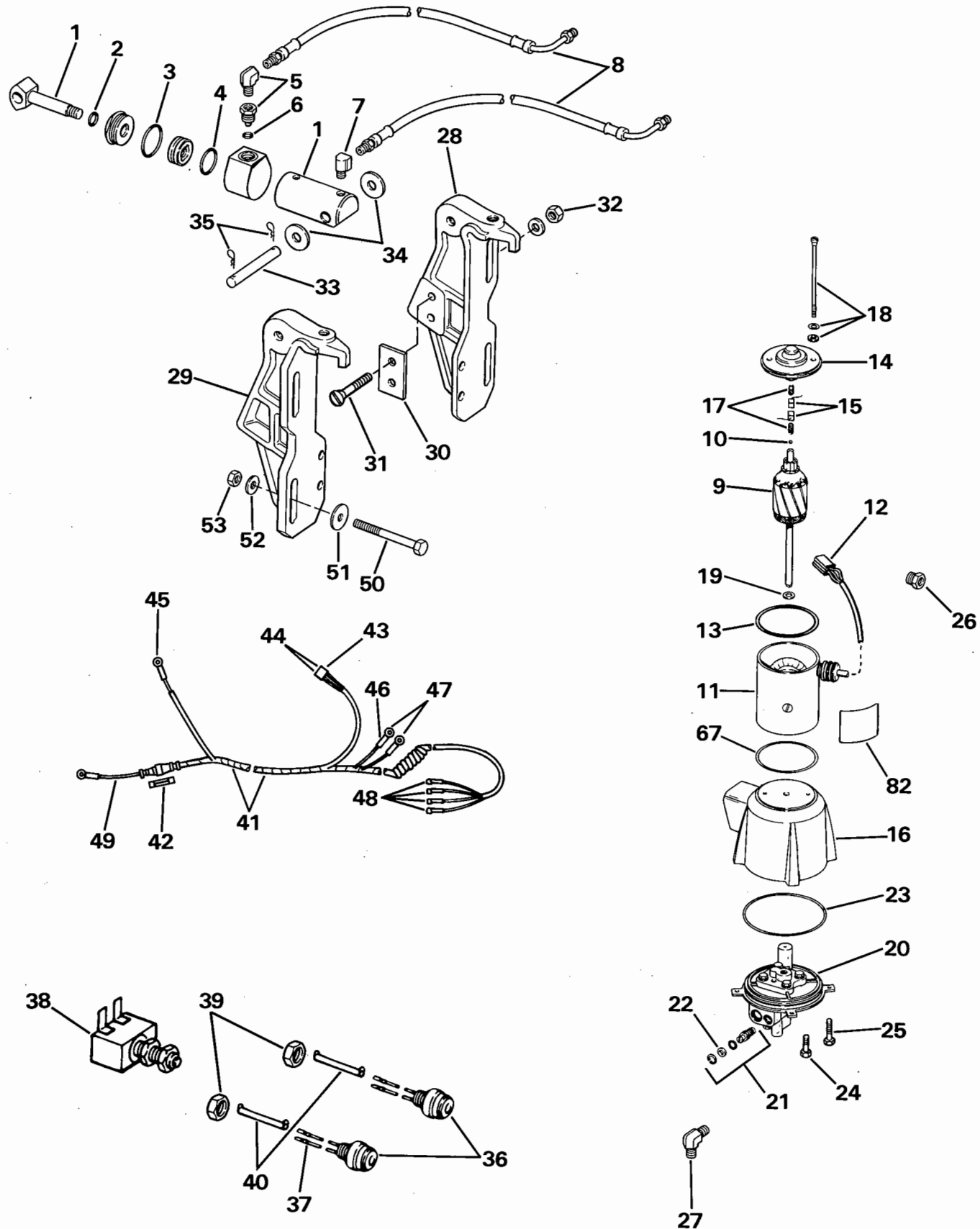
* Not Shown

Ref.	P/N	Name of Part	Qty.
26	561087	BUSHING, Pump to hose	1
27	561092	ELBOW, Pump to hose	1
28	561093	STERN BRACKET, Port	1
29	561094	STERN BRACKET, Stbd.	1
30	561075	PLATE, Stern bracket	2
31	131922	SCREW, Plate	4
32	313022	NUT, Plate	4
33	332785	THRUST PIN, Trim	1
34	202026	WASHER	2
35	302804	COTTER PIN	2
36	385588	SWITCH ASSY., "Trim in"	2
37	308808	KNIFE TERMINAL	AR
38	567571	SWITCH ASSY., "Trim out"	2
39	310598	NUT, Trim switch	2
40	303806	COVER, Knife disconnect	4
41	568054	CABLE ASSY., Trim	1
42	512672	FUSE, 40 amp	1
43	512678	CONNECTOR, Trim motor	1
44	511657	TERMINAL, Trim motor	3
45	204053	TERMINAL, Ground	1
46	512037	SLEEVE, Terminal	2
47	512551	RING TERMINAL	2
48	308808	TERMINAL, Knife disconnect	4
49	582927	FUSE HOLDER AND LEAD	1
50	318573	BOLT, Transom	4
51	320248	WASHER, Bolt	4
52	307238	WASHER, Transom	4
53	313650	NUT, Transom bolt	4

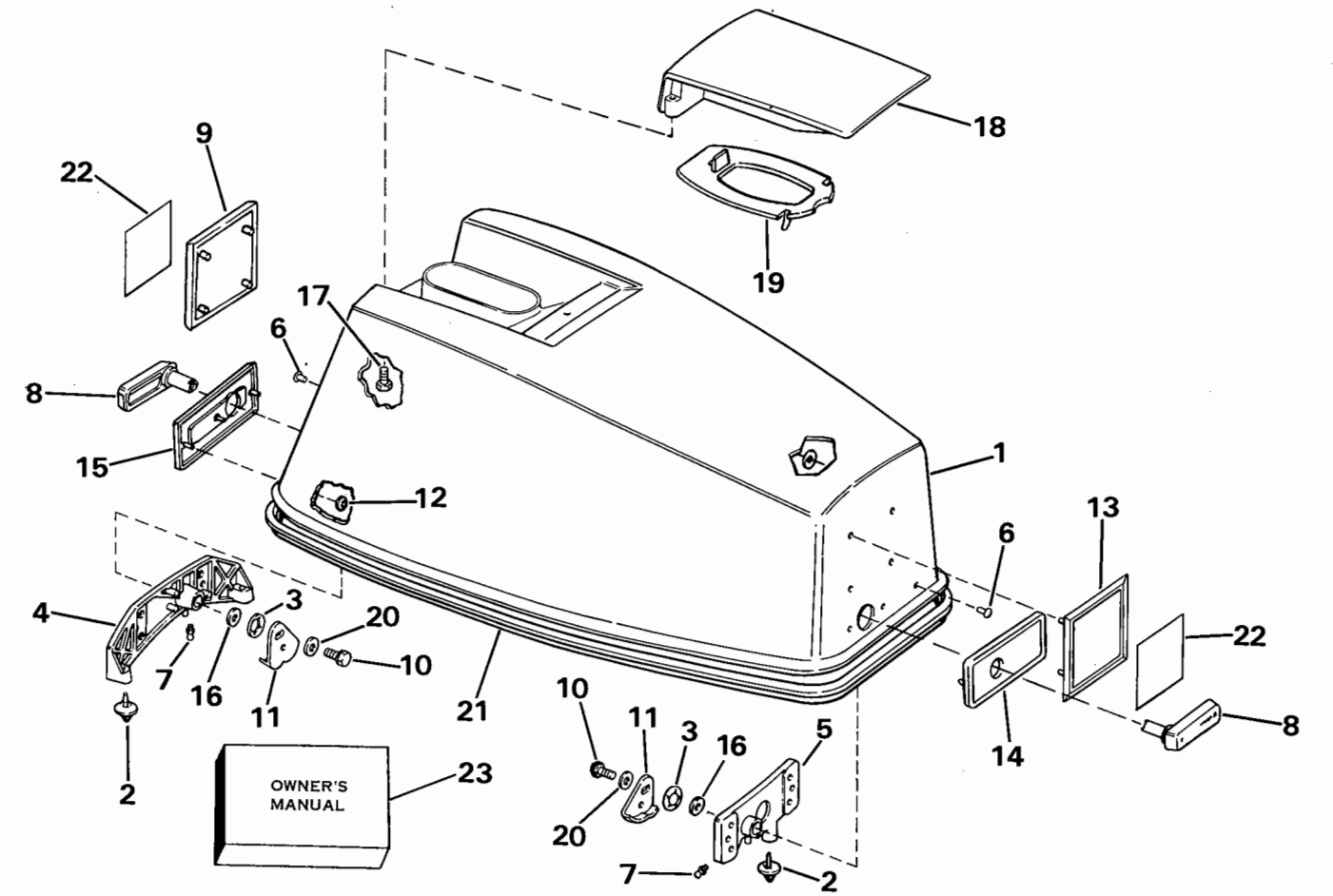
45SS

45SS

POWER TRIM KIT



ENGINE COVER - JOHNSON



ECU00028
12-04-87

Ref.	P/N	Name of Part	Qty.
1	398175	ENGINE COVER ASSY., Johnson . . . ■	1
2	315159	. BUMPER, Locating bracket	3
3	553766	. BOW WASHER, Handle	2
4	396704	. LOCATING BRACKET, Rear	1
5	396703	. LOCATING BRACKET, Front	1
6	326948	. RIVET, Locating bracket	8
7	313607	. LUBE FITTING	2
8	396706	. LATCH HANDLE	2
9	331482	. APPLIQUE, Engine cover, rear	1
10	304027	. SCREW, Hook to handle	2
11	330252	. HOOK, Latch handle	2
12	317223	. FASTENER, Applique	14
13	331486	. APPLIQUE, Engine cover, front	1

Ref.	P/N	Name of Part	Qty.
14	325674	. APPLIQUE, Front handle	1
15	325675	. APPLIQUE, Rear handle	1
16	321863	. WASHER, Latch shaft	2
17	323228	. SCREW, Tilt handle, rear	2
17	323229	. SCREW, Tilt handle, front	1
18	333089	. TILT HANDLE	1
19	210296	. BAFFLE, Tilt handle	1
20	328703	. WASHER, Hook to handle	2
21	325322	. SEAL, Cover	1
★22	333220	. PLATE, Front & rear ■	2
23	398724	OWNER'S MANUAL ①	1
23	431899	OWNER'S MANUAL ② ■	1
*	431698	DECAL SET ■	1

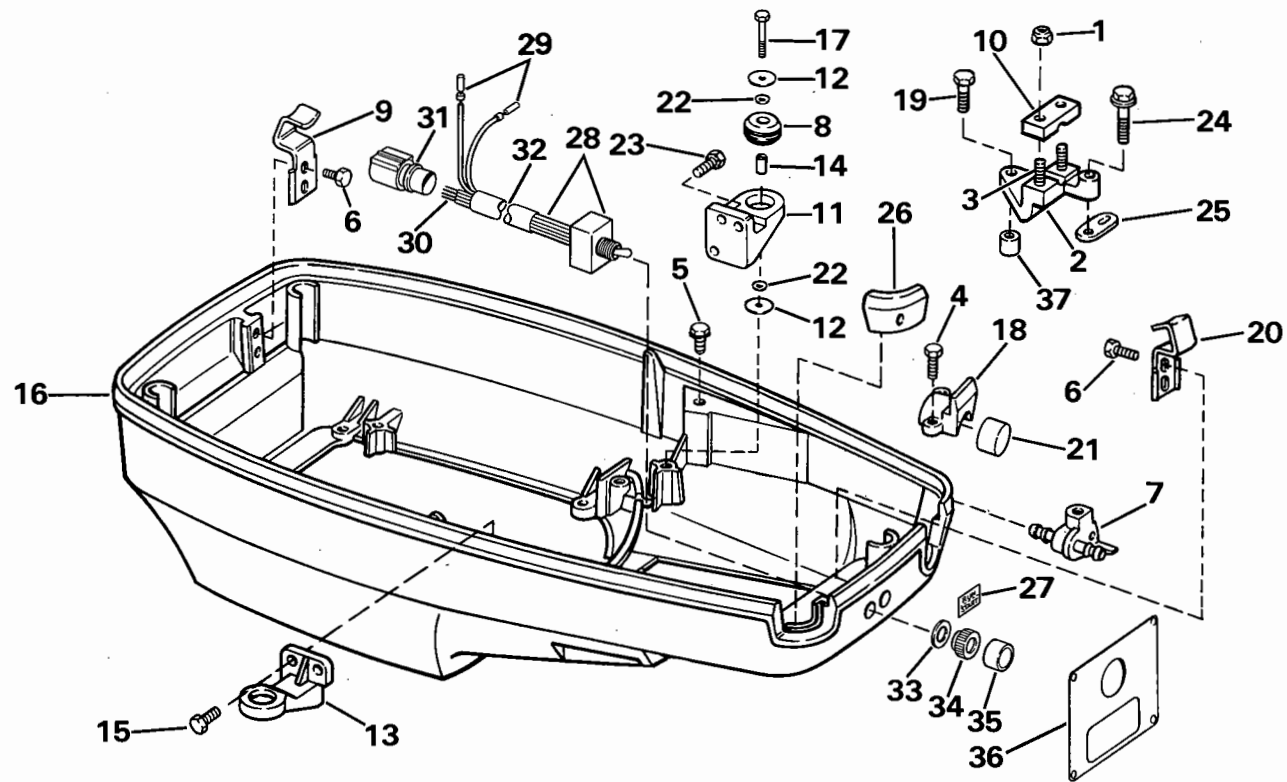
* Not Shown
 ① Rope Start Models
 ② Electric Start Models

45SS

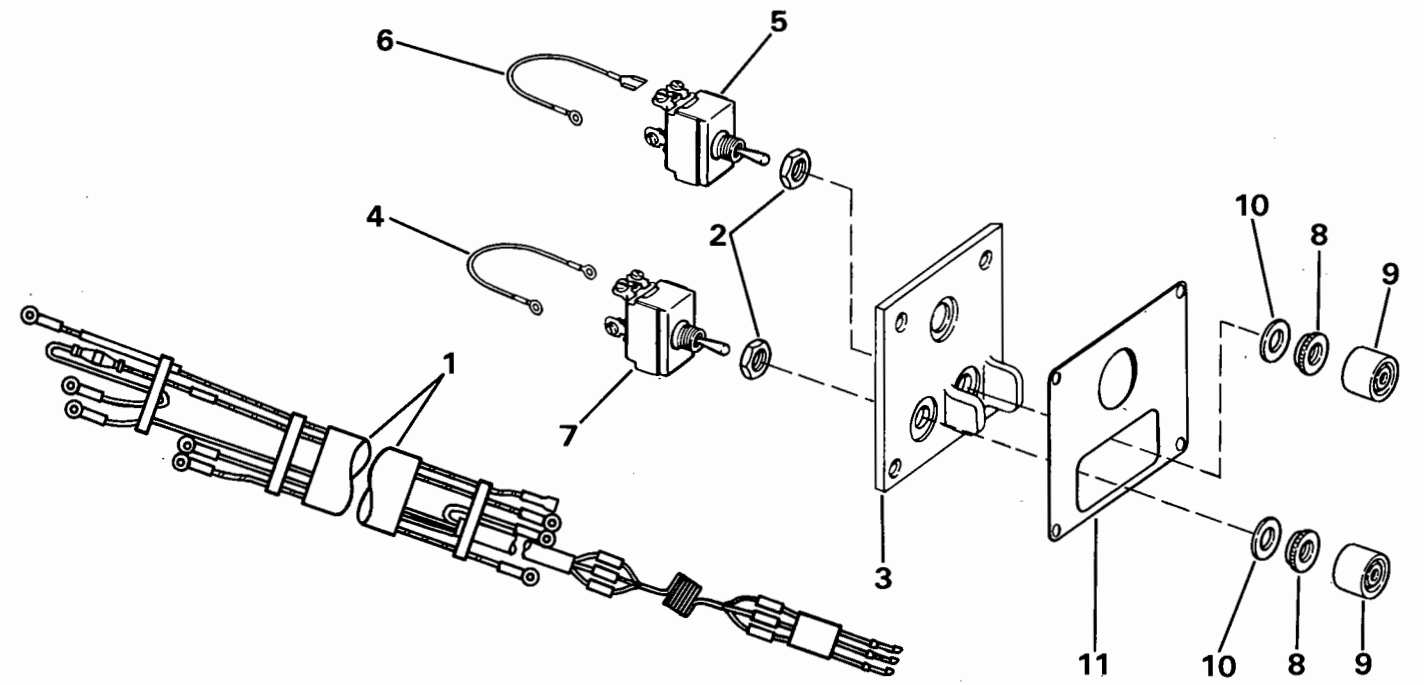
871173

45SS

LOWER ENGINE COVER



DASH PANEL



ECL00005
05-16-88

881066

45SS

Ref.	P/N	Name of Part	Qty.	Ref.	P/N	Name of Part	Qty.
1	121731	NUT, Cap, anchor	2	20	323474	HOOK, Front, Jo.	1
★2	398141	ANCHOR, Throttle cable	1	20	208252	HOOK, Front, Ev.	1
3	910551	STUD, Anchor	2	21	323926	BUSHING, Rope ①	1
4	302325	SCREW, Clamp	2	22	331249	WASHER, Mount, large	8
5	329265	SCREW, Fuel conn.	1	23	551793	SCREW, Support, port, front	3
6	304027	SCREW, Hook	4	24	302325	SCREW, Anchor	1
★7	397806	FUEL CONNECTOR	1	25	327043	DETENT, Primer knob ①	1
8	316354	GROMMET, Cover	4	26	329886	GROMMET	1
9	323474	HOOK, Rear	1	27	333956	DECAL, Spark retard ①	1
★10	333115	CAP, Throttle cable anchor	1	★28	583578	SWITCH & LEAD ASSY. ①	1
11	316002	SUPPORT, Front port	1	29	581656	SOCKET ASSY. ①	2
12	328700	WASHER, Mount	8	30	511469	PIN ①	4
13	327196	SUPPORT, Front stbd.	1	31	512750	CONNECTOR ①	1
14	302406	SLEEVE, Mount	4	32	513085	TUBING ①	1
15	551793	SCREW, Support to crankcase	4	33	900696	WASHER, Switch ①	1
★16	332775	LOWER COVER ①	1	34	310782	NUT, Switch ①	1
★16	334111	LOWER COVER ②	1	35	310781	COVER, Switch ①	1
17	303398	BOLT, Mount	4	★36	333889	COVER PLATE, Dash ②	1
18	318286	CLAMP	1	★37	334110	SPACER, Throttle anchor ②	1
19	324814	SCREW, Anchor & primer	1				

① Rope Start Models Only
② Electric Start Models Only

881070

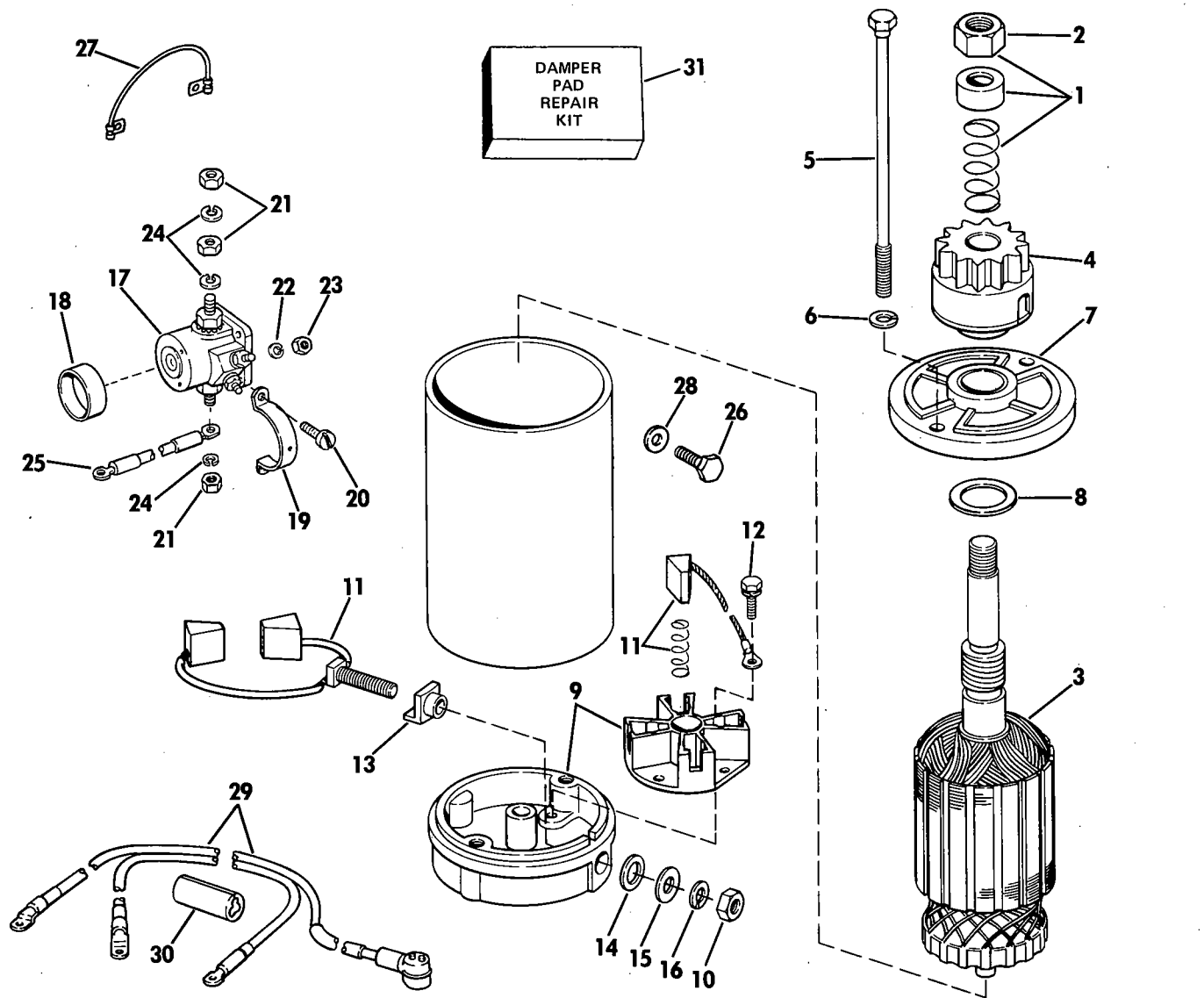
ELE00020
05-21-88

45SS

Ref.	P/N	Name of Part	Qty.	Ref.	P/N	Name of Part	Qty.
★*	583624	SWITCH & PANEL ASSY.	1	★6	583626	LEAD ASSEMBLY	1
★1	583627	CABLE ASSY., Engine switch	1	7	975257	SWITCH ASSEMBLY, Primer	1
2	310782	NUT	2	8	900185	NUT, Choke & ignition switch	2
★3	333888	DASH PANEL	1	9	310781	COVER	2
★4	583625	LEAD ASSEMBLY	1	10	900696	WASHER, Choke & ignition switch	2
5	388383	SWITCH ASSY., Start	1	★11	333889	COVER PLATE	1

* Not Shown

ELECTRIC STARTER & SOLENOID



881072

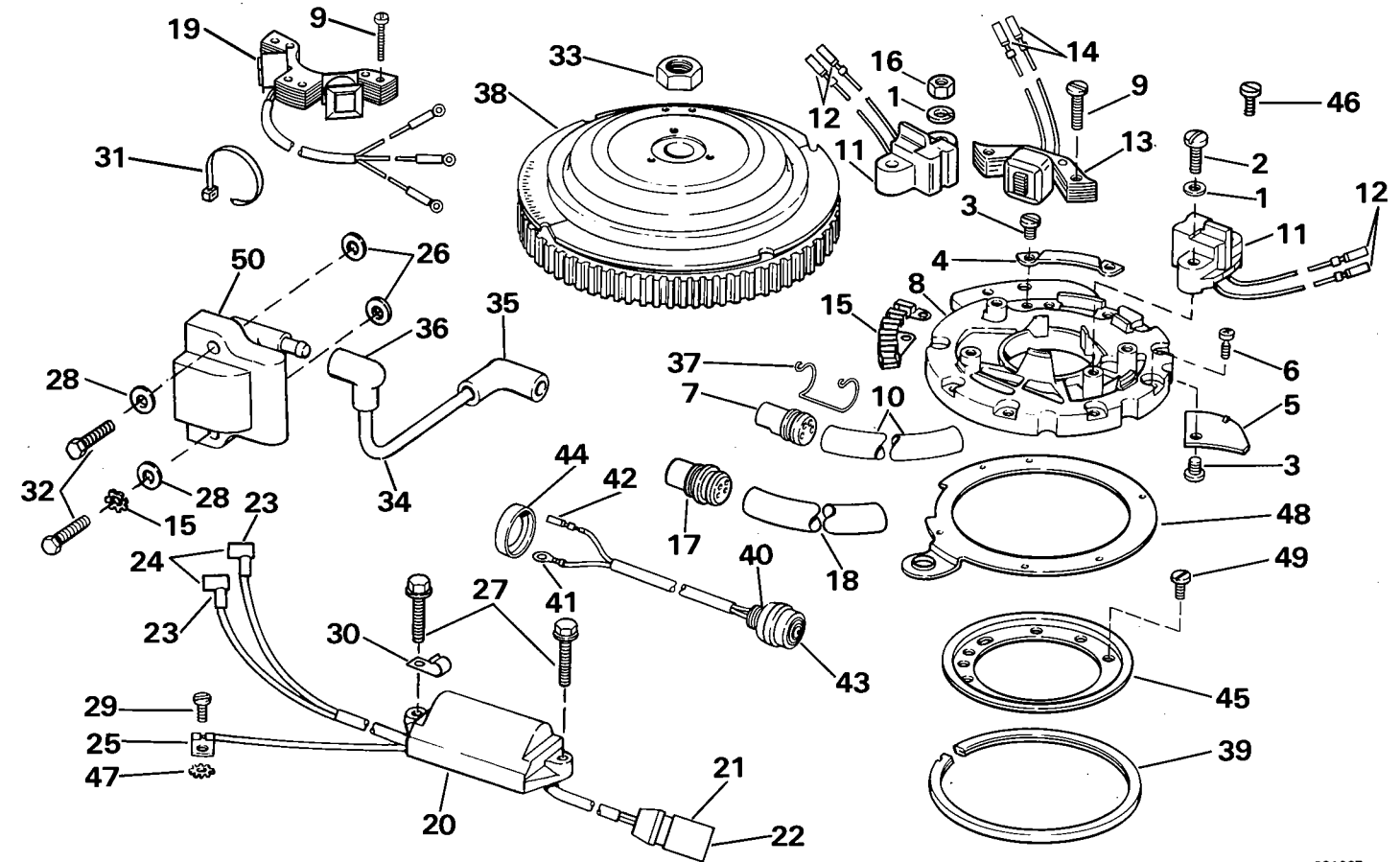
45SS

STA00017
12-05-87

Ref.	P/N	Name of Part	Qty.	Ref.	P/N	Name of Part	Qty.
*	389275	STARTER MOTOR ASSY.	1	17	395419	SOLENOID ASSY.	1
1	393354	. NUT, Spring & spacer kit	1	18	311217	SLEEVE, Solenoid	1
2	316740	. NUT, Gear spacer stop	1	19	330112	CLAMP, Solenoid mounting	1
3	384779	. ARMATURE	1	20	306010	SCREW, Solenoid mounting	2
4	384781	. DRIVE ASSY.	1	21	311349	NUT, Terminal	3
5	387933	. THRU-BOLT PACKAGE	1	22	304454	LOCKWASHER, Terminal	2
6	316744	. LOCKWASHER	2	23	306556	NUT, Terminal	2
7	386639	. CAP ASSY.	1	24	331259	LOCKWASHER, Terminal	3
8	316750	. WASHER, Thrust armature	1	25	581278	LEAD, Starter to solenoid	1
9	385844	. CAP ASSY., Commutator	1	26	302479	SCREW, Starter mounting	3
10	304753	. NUT, Input stud	1	27	580733	LEAD, Solenoid ground	1
11	385952	. BRUSH & SPRING SET	1	28	306470	LOCKWASHER	3
12	316746	. BOLT & LOCKWASHER	2	29	583623	BATTERY CABLE	1
13	316743	. BUSHING, Insulation	1	30	327121	GROMMET	1
14	316748	. WASHER, Insulation	1	31	387735	DAMPER PAD REPAIR KIT (Package of 10)	1
15	316749	. WASHER, Plain	1				
16	316744	. LOCKWASHER	1				

* Not Shown

IGNITION SYSTEM



881067

45SS

ELE00019
06-30-88

Ref.	P/N	Name of Part	Qty.	Ref.	P/N	Name of Part	Qty.
★*	583580	ARMATURE PLATE ASSY. ①	1	25	512131	. TERMINAL, Ground	1
*	583389	ARMATURE PLATE ASSY. ②	1	26	328703	WASHER	4
1	306547	. LOCKWASHER, Sensor	4	27	328726	SCREW, Power pack	2
2	307175	. SCREW, Sensor mounting	2,4	28	328703	WASHER, Ignition coil mounting	5
3	303212	. SCREW, Clamp and cover	3	29	317753	SCREW, Power pack ground	2
4	511458	. CLAMP, Leads	1	30	310439	CLAMP, Connector ①	2
5	511459	. COVER, Leads ①	1	31	907883	TIE STRAP, Spark plug lead	2
5	331626	. COVER, Leads ②	1	32	328726	SCREW, Coil mounting	4
6	511460	. SCREW, Retainer	5	33	326111	NUT, Flywheel	1
7	512753	. CONNECTOR	1	34	582365	LEAD ASSY., Spark plug	2
★8	583581	. PLATE & SPACER ASSY. ①	1	35	581027	. SPARK PLUG TERMINAL	1
8	582417	. PLATE & SPACER ASSY. ②	1	36	580339	. SPARK PLUG TERMINAL	1
9	309545	. SCREW, Charge col to plate	2	37	512743	RETAINER, Connector ①	2
10	512765	. TUBING, Leads	1	★38	583314	FLYWHEEL ASSY. ①	1
11	583387	. SENSOR ASSY.	1,2	38	583012	FLYWHEEL ASSY. ②	1
12	581656	. SOCKET ASSY.	2	39	322435	BEARING, Support	1
13	581670	. CHARGE COIL	1	40	583068	SHORTING SWITCH ASSY.	1
14	581656	. SOCKET ASSY.	2	41	308175	. TERMINAL	1
15	332349	. RETAINER, Wire harness ①	1	42	581656	. SOCKET	1
16	307999	. NUT, Sensor mounting ①	2	43	391306	. COVER ASSY., Shorting switch	1
17	512749	. CONNECTOR, Sensor ①	1	44	326048	MOUNTING RING	1
18	512658	. TUBING, Leads ①	1	45	332063	SUPPORT, Armature plate	1
19	582926	. STATOR ASSY. ②	1	46	330199	SCREW, Clamp stator leads ①	1
20	582285	POWER PACK	1	47	328701	WASHER, Ground ①	4
21	512754	. CONNECTOR, Armature plate	1	★48	332790	RETAINER, Support	1
22	511469	. PIN	5	49	326875	SCREW, Support	4
23	512478	. COVER, Coil terminal	2	50	582508	COIL ASSY.	2
24	512256	. PIN RECEPTACLE, Coil	2				

* Not Shown

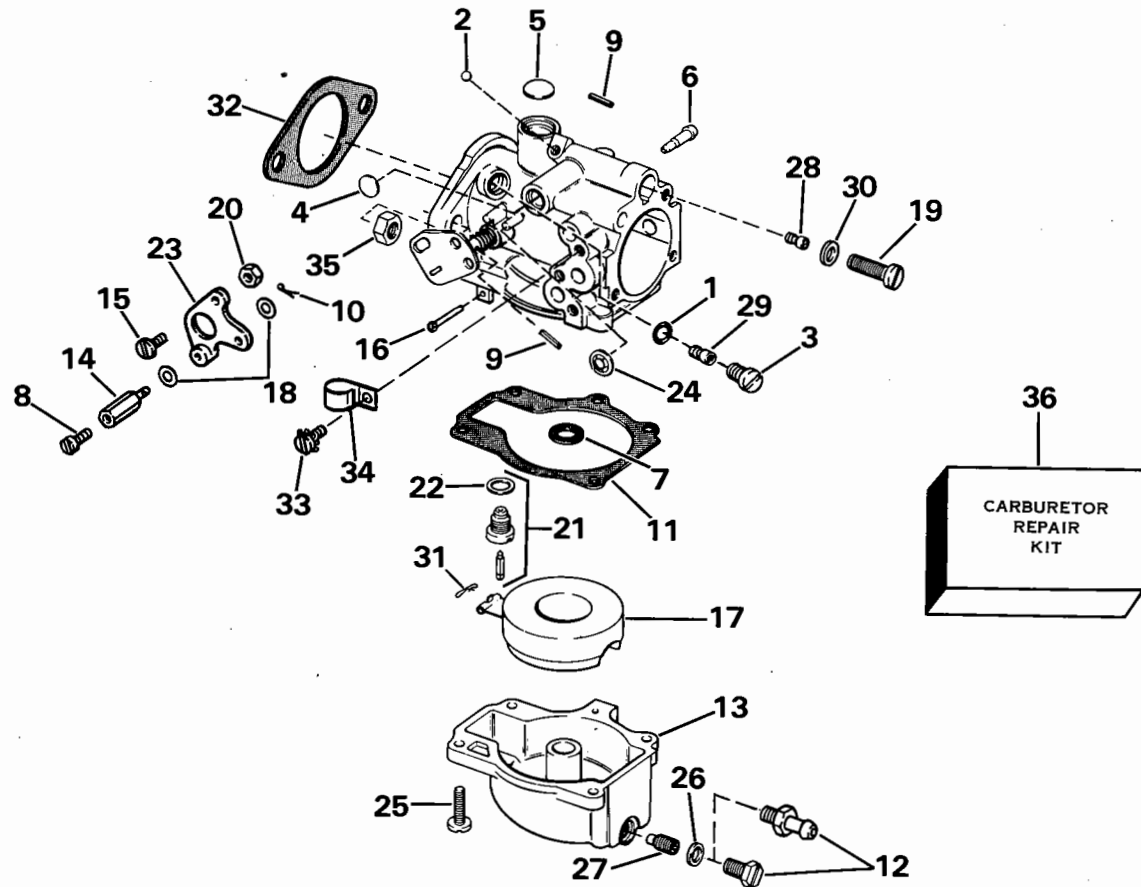
① Rope Start Models Only

② Electric Start Models Only

45SS

CARBURETOR

GEARCASE



GRC00028
05-21-88

45SS

FUL00045
05-16-88

871176

45SS

Ref.	P/N	Name of Part	Qty.
★*	397807	CARB ASSY., Upper ①	1
★*	397808	CARB ASSY., Lower ①	1
★*	397807	CARB ASSY., Upper & lower ②	2
1	321117	O-RING	1
2	304201	LEAD SHOT	3
3	317501	SCREW, Plug	1
†4	307542	CORE PLUG	2
†5	202310	CORE PLUG	1
6	314513	NIPPLE, Fuel	1
†7	332708	GASKET, Nozzle	1
8	319108	SCREW, Retainer ③	1
9	314575	ROLL PIN	2
10	303049	COTTER PIN ③	1
†11	332696	GASKET, Float bowl	1
12	330057	SCREW PLUG, Upper carburetor	1,2
12	326467	FITTING, Lower carb. ③	1
13	330195	FLOAT CHAMBER ASSY.	1
14	332926	RETAINER ③	1
15	306643	SCREW ③	2
†16	302661	PIN, Float hinge	1
†17	382363	FLOAT ASSY.	1
18	309907	WASHER, Retainer ③	2

Ref.	P/N	Name of Part	Qty.
19	330055	SCREW PLUG, Idle passage	1
20	307999	NUT ③	2
†21	396521	FLOAT VALVE & SEAT ASSY.	1
†22	301996	WASHER, Float valve	1
23	332990	THROTTLE LEVER ③	1
†24	313973	RETAINER, Return spring	1
25	333430	SCREW, Float bowl	4
†26	303630	WASHER	1
27	318684	ORIFICE, High speed no. 56D	1
**27	321108	ORIFICE, High speed no. 52D	1
**27	321407	ORIFICE, High speed no. 54D	1
**27	328543	ORIFICE, High speed no. 58D	1
**27	332204	ORIFICE, High speed no. 60D	1
28	318832	ORIFICE, No. 35	1
29	327342	ORIFICE, Idle no. 46	1
30	317477	WASHER, Screw plug	1
31	603145	CLIP	1
†32	325092	GASKET, Carb. mtg.	2
33	328696	SCREW, Clamp ①	1
34	310442	CLAMP, Hose ①	1
35	121674	NUT, Carb. mounting	4
36	398729	CARBURETOR REPAIR KIT	1

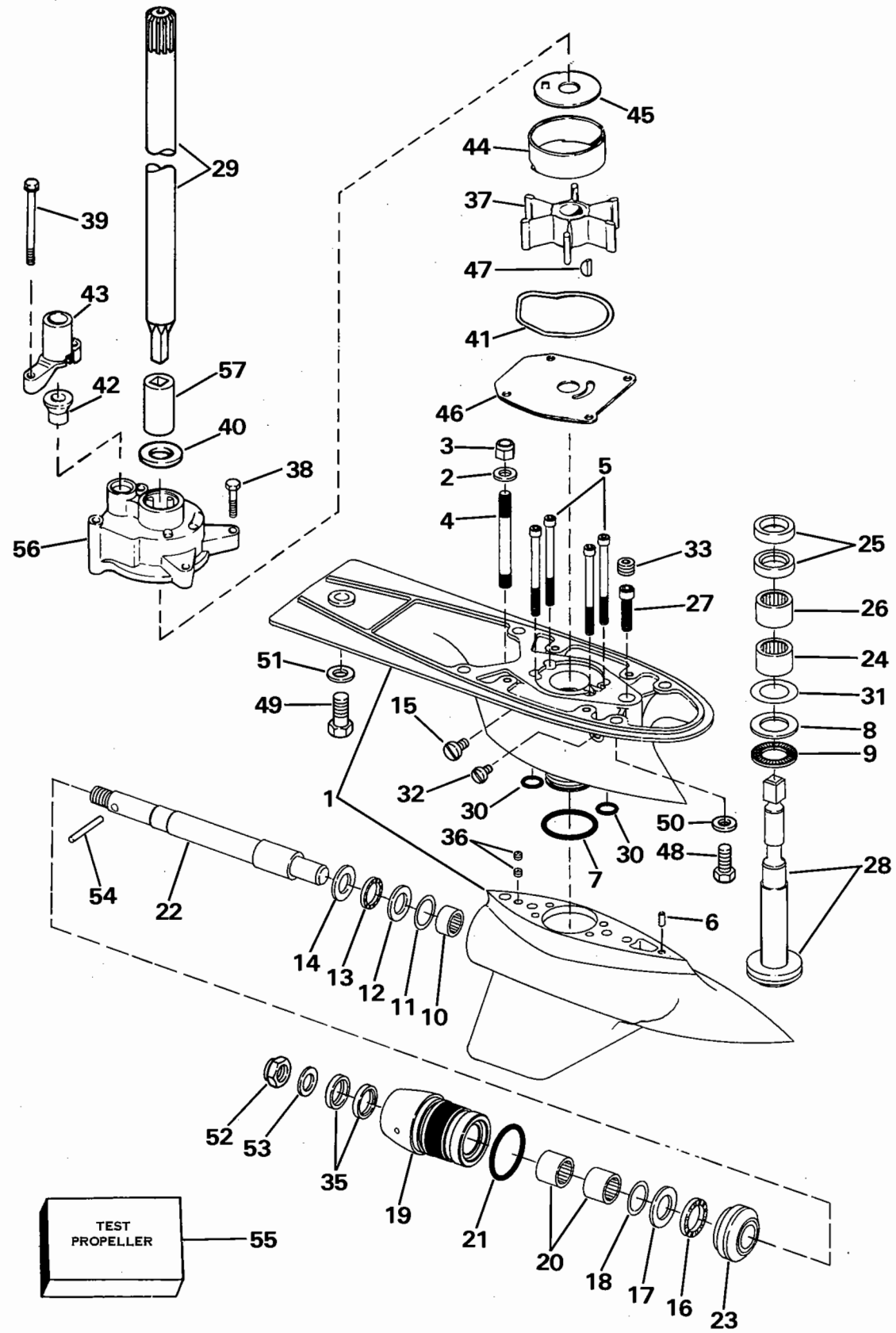
Ref.	P/N	Name of Part	Qty.
★*	397800	GEARCASE ASSY.	1
★1	398207	GEARCASE, Hsg. and pin	1
2	552993	WASHER	1
3	313990	NUT	1
★4	333196	STUD	1
★5	333241	SCREW, Gearcase, upper to lower	4
6	318217	DOWEL PIN, Gearcase	1
7	301917	O-RING, Gearcase	1
8	319667	THRUST WASHER	1
9	388027	THRUST BEARING	1
★10	398193	BEARING ASSY.	1
★11	333190	SHIM, 0.003 in.	AR
★11	333191	SHIM, 0.004 in.	AR
★11	333192	SHIM, 0.005 in.	AR
★11	333570	SHIM, 0.010 in.	AR
★11	333571	SHIM, 0.020 in.	AR
★12	333193	THRUST WASHER	1
★13	398195	THRUST BEARING	1
★14	333195	THRUST WASHER	1
15	307551	SCREW PLUG, Oil fill	1
★16	398196	THRUST BEARING ASSY.	1
★17	333203	THRUST WASHER	1
★18	333200	SHIM, 0.003 in.	AR
★18	333201	SHIM, 0.004 in.	AR
★18	333202	SHIM, 0.005 in.	AR
★18	333567	SHIM, 0.010 in.	AR
★18	333569	SHIM, 0.020 in.	AR
★19	398208	BEARING HSG. ASSY.	1
★20	398194	BEARING ASSY., Prop shaft	2
21	305270	O-RING	1
★*	398210	PROP SHAFT & GEAR	1
22	333197	PROP SHAFT	1
23	333180	GEAR	1
24	432452	BEARING ASSY., Lower	1
25	326716	SEAL	2

* Not Shown

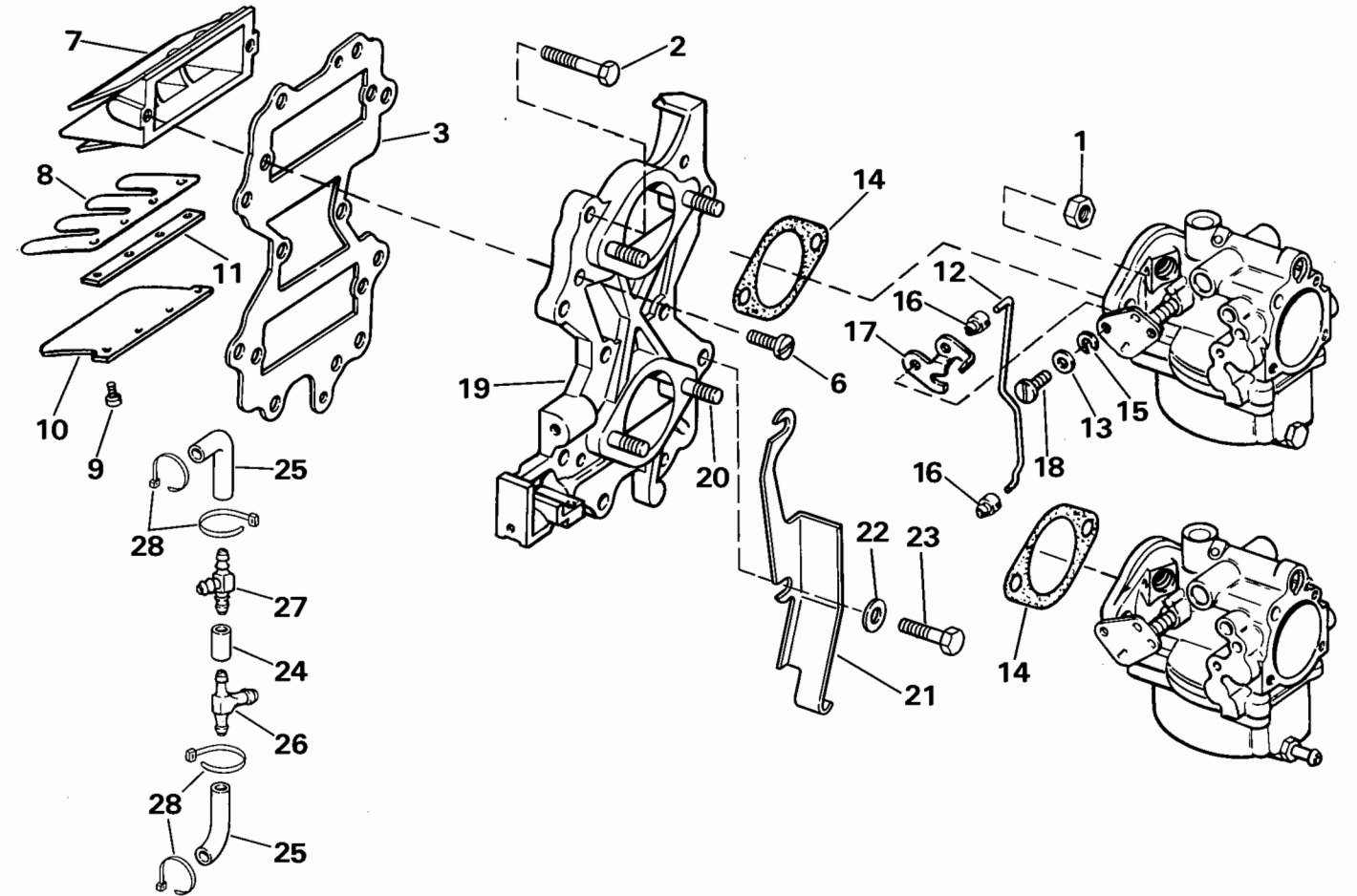
Ref.	P/N	Name of Part	Qty.
★26	398192	BEARING ASSY, Upper	1
★27	333188	SCREW	1
★28	333181	DRIVESHAFT AND PINION	1
29	333126	DRIVESHAFT	1
30	303059	O-RING, Gearcase	2
★30	333223	SHIM, Driveshaft, 0.003 in.	AR
★31	333224	SHIM, Driveshaft, 0.004 in.	AR
★31	333225	SHIM, Driveshaft, 0.005 in.	AR
★31	333568	SHIM, Driveshaft, 0.010 in.	AR
32	309243	SCREW PLUG, Vent	1
33	909530	PIPE PLUG	1
35	321466	SEAL	2
★36	333240	SET SCREW, Bearing hsg.	2
37	396809	IMPELLER ASSEMBLY	1
38	302325	SCREW, Short, impeller hsg.	2
39	331980	SCREW, Long, impeller hsg.	2
40	315748	GROMMET, Exh. hsg.	1
41	315788	SEAL, Impeller hsg.	1
42	315837	GROMMET, Water tube	1
43	315838	BRACKET, Water tube	1
44	320775	LINER, Impeller hsg.	1
45	320776	PLATE, Liner	1
46	320981	PLATE, Impeller hsg.	1
47	330619	KEY, Driveshaft	1
48	306539	SCREW, Gearcase, short	4
49	328018	SCREW, Gearcase, long	1
50	306405	WASHER	4
51	304671	WASHER	1
★52	333332	NUT, Propeller	1
★53	333331	WASHER, Propeller	1
54	314364	DRIVE PIN	1
★55	333732	TEST PROPELLER	1
56	384087	IMPELLER HSG. ASSY.	1
57	398137	COUPLER ASSY., Driveshaft	1

* Not Shown
 ** Optional High Speed Jet
 † Also Available in Carburetor Repair Kit
 ① Rope Start Models Only
 ② Electric Start Models Only
 ③ Lower Carburetor Only

GEARCASE



INTAKE MANIFOLD



SHB00042
06-30-88

Ref.	P/N	Name of Part	Qty.
1	121674	NUT, Carburetor mounting	4
2	306409	SCREW, Manifold to crankcase	10
3	317504	GASKET, Manifold to crankcase	1
6	306474	SCREW, Plate to manifold	4
7	389810	LEAF PLATE ASSEMBLY	2
8	308947	. LEAF VALVE	2
9	327074	. SCREW	8
10	323601	. LEAF STOP	2
11	323412	. SHIM, Leaf valve	2
12	329888	LINK, Throttle adj. lever	1
13	328735	WASHER, Adjusting screw	1
14	325092	GASKET, Carburetor	2
15	303701	LOCKWASHER, Adjustment lever	1

① Rope Start Models Only
② Electric Start Models Only

Ref.	P/N	Name of Part	Qty.
16	318165	RETAINER, Throttle	2
17	329418	LEVER, Throttle adjustment	1
18	328714	SCREW, Throttle adj.	1
19	391780	MANIFOLD ASSY.	1
20	314497	. STUD, Carburetor mounting	4
21	318610	GUIDE, Starter rope ①	1
22	328703	WASHER, Guide ①	2
23	306418	SCREW, Guide ①	2
24	††	HOSE, Tee to tee, 1¼ in. (25mm) ②	1
25	††	HOSE, Tee to carb., 2 in. (50mm) ②	2
26	326031	TEE, Fuel pump to carb. ②	1
27	313537	TEE, Primer solenoid ②	1
28	320107	TIE STRAP ②	8

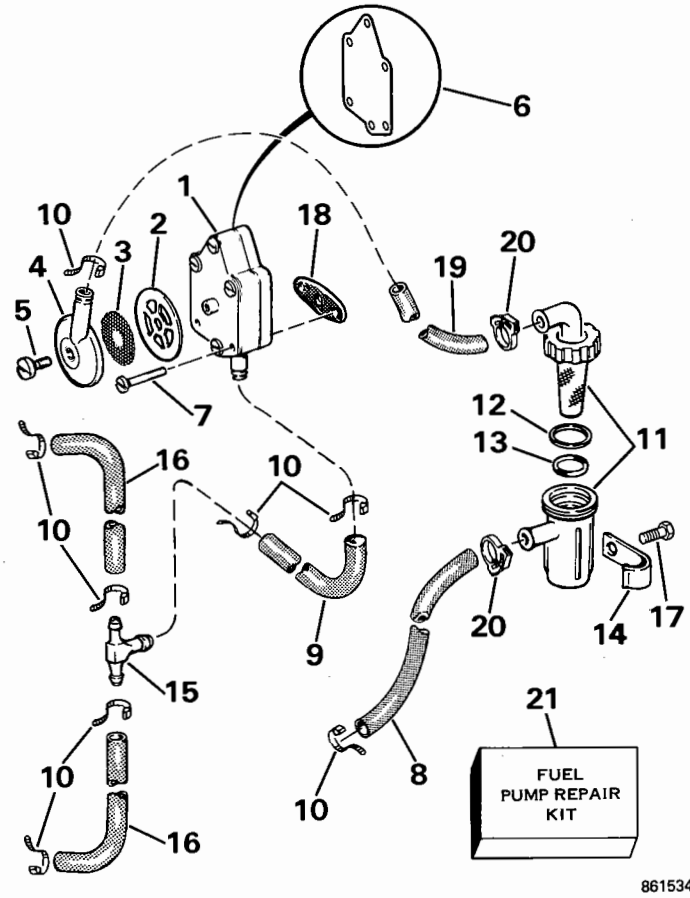
FUEL PUMP AND FILTER

FUL00047
05-21-88

45SS

Ref.	P/N	Name of Part	Qty.
1	398338	FUEL PUMP ASSY.	1
2	332694	GASKET, Cap to pump	1
3	312675	SCREEN, Filter	1
4	330092	CAP, Filter	1
5	330061	SCREW, Cap	1
6	332678	DIAPHRAGM	1
7	314417	SCREW, Pump mounting	2
8	#	HOSE, Connector to filter 9 in. (229mm)	1
9	#	HOSE, Pump to tee (15 in.) (381mm) ①	1
9	332911	HOSE, Pump to tee ②	1
10	320107	CLAMP, Hose to carb.	AR
11	397715	FUEL FILTER	1
12	327270	GASKET, Filter	1
13	124369	SEAL	1
14	310439	CLAMP, Fuel filter ①	1
14	908191	CLAMP, Fuel filter ②	1
15	326031	TEE, Hose ①	1
16	**	HOSE, Tee to carburetor (3 in.) (76mm) ①	2
17	330199	SCREW, Clamp	1
18	303615	GASKET, Fuel pump to cylinder	1
19	#	HOSE, Fuel filter to fuel pump (1½ in.) (38mm)	1
20	322652	CLAMP, Hose	2
21	398514	FUEL PUMP REPAIR KIT	1

Cut to Length from 333341 - 5/16 in. I.D., 25 ft. (7,6m) Roll
 ** Cut to Length from 327228 - 5/32 in. I.D., 25 ft. (7,6m) Roll
 ① Rope Start Models Only
 ② Electric Start Models Only



861534

MIDSECTION

MID00036
12-07-87

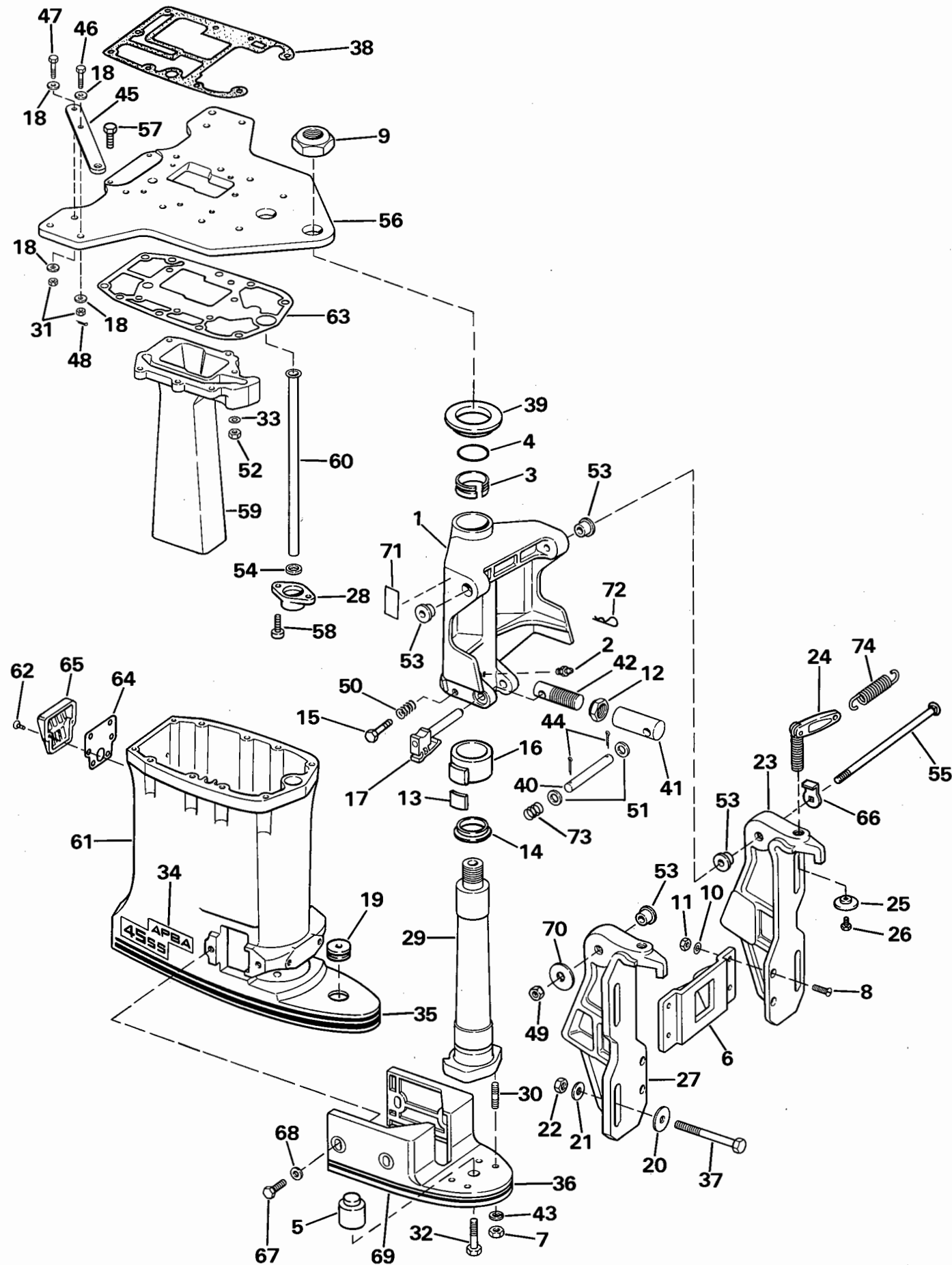
45SS

Ref.	P/N	Name of Part	Qty.
★1	332779	SWIVEL BRACKET	1
2	313607	LUBRICATION FITTING	6
3	309967	BUSHING, Upper	1
4	301917	O-RING, Pivot tube	1
★5	332780	PILOT, Mount bracket	1
★6	332783	THRUST BRACKET	1
7	313457	NUT, Pivot tube	4
8	304294	SCREW	4
9	326042	NUT, Pivot tube	1
10	304145	WASHER	4
11	313022	NUT, Thrust bracket	4
12	307665	NUT, Trim rod	1
★13	333175	FRICITION BLOCK	1
14	397736	THRUST WASHER & SEAL	1
15	321531	SCREW, Steering friction	1
16	332663	LINER, Swivel bracket lower	1
★17	397804	TILT PIN	1
18	329574	WASHER, Steering bar	8
★19	398140	GROMMET & PLUG, Exh. hsg.	1
20	320248	WASHER, Bolt	4
21	307238	WASHER, Transom	4
22	313650	NUT, Transom bolt	4
★23	332870	STERN BRACKET, Port	1
24	388023	CLAMP SCREW & HAND ASSY.	2
25	307561	SWIVEL PLATE	2
26	321922	SCREW, Plate	2
★27	332871	STERN BRACKET, Starboard	1
28	315860	COVER, Water tube	1
★29	397801	PIVOT TUBE	1
30	314497	STUD, Pivot tube	4
31	314898	NUT, Screw, steering bar	4
32	316910	SCREW, Pilot to bracket	1
33	306396	LOCKWASHER, Stud	6
34	210678	DECAL, Port, Ev.	1
34	210679	DECAL, Stbd., Ev.	1
34	332667	DECAL, Port, Jo.	1
34	332668	DECAL, Stbd., Jo.	1
35	210680	DECAL, Exh. hsg., lower, Ev.	1
35	332699	DECAL, Exh. hsg., upper, Jo.	1
36	210681	DECAL, Exh. hsg., upper, Ev.	1

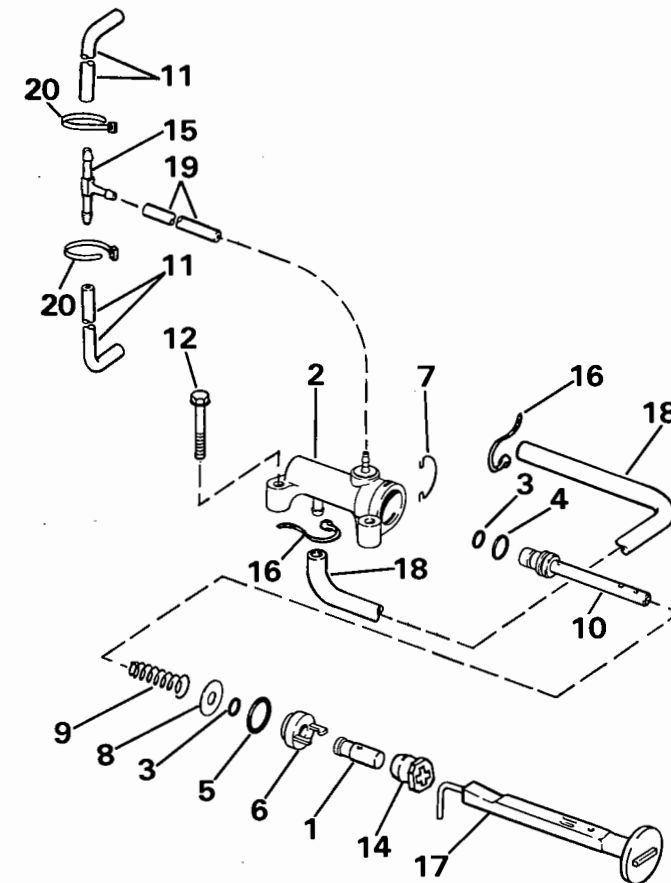
Ref.	P/N	Name of Part	Qty.
36	332670	DECAL, Exh. hsg., upper, Jo.	1
37	318573	BOLT, Transom	4
★38	333111	GASKET, Adapter to powerhead	1
39	309966	THRUST WASHER, Upper	1
★40	332785	THRUST PIN, Trim rod	1
★41	332786	TRIM ROD, Outer	1
★42	332784	TRIM ROD, Inner	1
★43	306439	LOCKWASHER, Pivot tube	4
44	302804	COTTER PIN	2
★45	398138	STEERING BAR ASSY.	2
★46	332918	PIVOT SCREW, Steering bar	2
47	552968	SCREW, Steering bar	2
48	306328	COTTER PIN, Pivot screw	2
49	313990	NUT, Tilt bolt	1
50	551113	SPRING, Co pilot	1
51	202026	WASHER, Link pin	2
52	306338	NUT, Tube	6
53	329904	BUSHING, Tilt pin	4
54	332363	GROMMET, Tube	2
55	325018	BOLT, Tilting shaft	1
★56	332776	ADAPTER, Exhaust housing	1
57	309705	SCREW, Adapter to housing	2
58	305284	SCREW, Cover to adapter	2
★59	332991	EXH. TUBE	1
★60	333113	WATER TUBE	1
★61	332778	EXH. HSG., Outer	1
62	305143	SCREW, Cover to housing	2
★63	332777	GASKET, Adapter to housing	1
64	329826	GASKET, Relief cover	1
65	315864	COVER, Exhaust relief	1
66	325017	WASHER, Tilt lock bolt	1
67	306416	SCREW, Bracket to mount	4
68	306453	LOCKWASHER, Brkt. to mount	4
★69	332782	MOUNT BRACKET	1
70	604174	WASHER, Tilt bolt	1
71	330661	DECAL, Safety warning	1
72	605803	RETAINER PIN, Tilt pin	1
73	331186	SPRING, Trim rod	2
★74	333351	SPRING, Tension, clamp screw handle	1

45SS

MIDSECTION



PRIMER SYSTEM - ROPE START



FUL00046
05-21-88

45SS

Ref.	P/N	Name of Part	Qty.
1	326422	CONNECTOR, Primer pump	1
2	398392	PRIMER PUMP ASSY.	1
3	331365	O-RING	2
4	331364	O-RING, Plunger	1
5	331366	O-RING	1
6	326337	END CAP	1
7	326338	RETAINER, Housing	1
8	326334	WASHER, O-ring	1
9	333540	SPRING, Plunger	1
10	393935	PLUNGER	1
11	**	HOSE, Tee to carb., 3 in. (76mm)	2
12	302325	SCREW, Primer pump	2
14	320731	GROMMET, Primer knob	1
15	325569	TEE, Primer hoses	1
16	320107	TIE STRAP, Carb. to primer	2
17	395149	KNOB, Primer pump	1
18	*	HOSE, Primer pump to carb., 9 1/2 in. (241mm)	1
19	**	HOSE, Primer pump to tee, 8 1/4 in. (210mm)	1
20	317893	TIE STRAP	AR

* Cut to Length from 327228 - 5/32 in. I.D., 25 ft. (7,6m) Roll
 ** Cut to Length from 327229 - 0.0575 in. I.D., 25 ft. (7,6m) Roll

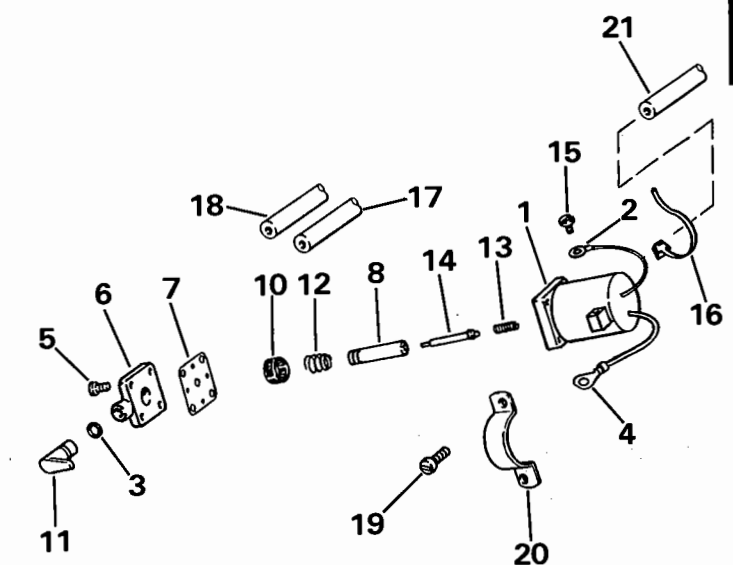
PRIMER SYSTEM - ELECTRIC START

FUL00039
05-21-88

48S,35,40,50

Ref.	P/N	Name of Part	Qty.
1	397909	SOLENOID ASSY., Primer	1
2	510780	TERMINAL	1
3	331365	O-RING, Manual valve	1
4	510818	TERMINAL	1
5	330121	SCREW, Cover to housing	4
6	511807	COVER, Primer solenoid	1
7	333448	GASKET, Solenoid	1
8	511809	PLUNGER	1
10	332365	FILTER, Valve housing	1
11	511812	MANUAL VALVE	1
12	511986	SPRING, Valve	1
13	511987	SPRING, Plunger	1
14	333447	VALVE, Plunger	1
15	329182	SCREW, Solenoid terminal	1
16	317893	CLAMP STRAP, Primer	1
17	*	HOSE, Primer solenoid to lower carb., 7 in. (178mm)	1
18	*	HOSE, Primer solenoid to upper carb., 10 1/2 in. (267mm)	1
19	329217	SCREW, Clamp to c'case	2
20	330118	CLAMP, Primer solenoid	1
21	†	HOSE, Tee to primer solenoid 6 1/4 in. (159mm)	1

† Cut to Length from 327228 - 5/32 in. I.D., 25 ft. (7,6m) Roll
 * Cut to Length from 327229 - 0.0575 in. I.D., 25 ft. (7,6m) Roll



45SS

