



SERVICE BULLETIN

October, 2025

Subject: **High Altitude / Sea Level Specifications**No. **2026-3**

MODEL YEAR	MODEL
2026	All

Standard carburetor (DS 250) and drive pulley calibration on above-listed models were set at factory for sea level riding. Refer to the appropriate *SERVICE MANUAL* for detailed specifications.

When an ATV is used above sea level, modifications to carburetor and/or drive pulley settings must be performed as per tables contained in this document (the shaded column indicates the factory setting).

IMPORTANT: Should vehicle return to lower altitudes, carburetor (where applicable) and drive pulley calibration must be set back accordingly.

ATV HIGH ALTITUDE PARTS RETURN PROGRAM

NOTE: **Do not use a warranty claim form**; submit via BOSSWeb a Return Authorization Request (see BOSSWeb Return Authorization Request section).

Purchase from BRP the necessary parts for high altitude application. Anything other than a BRP part will not be accepted.

Submit via BOSSWeb a *RETURN AUTHORIZATION REQUEST* and once approved by BRP, return the original UNUSED centrifugal levers, with a copy of the *RETURN ORDER CONFIRMATION FORM*. Attach proof that replacement parts were purchased from BRP (invoice or packing slip).

NOTE: Centrifugal levers are sold by package with the required quantity to update a model to high altitude. The same quantity of levers must be returned for each specific model.

Credit for the original parts will be issued to dealer's account through the regular parts system, credited at 100% of parts cost (current dealer cost), no handling.

Levers will be inspected when received and, if found used, will be returned to the dealer without credit. Note that a 30\$ handling fee plus freight charge could be applied to dealer account.

NOTE: Only centrifugal levers are allowed to be returned with this program; no other parts can be returned. No labor credit.

Be sure to match and ship all centrifugal levers with the same form.

NOTE: This program is also applicable for previous model year ATVs; refer to appropriate model year High Altitude Service Bulletin.

Return Address

The return address will be provided with your authorization number via BOSSWeb. Submit a *BOSSWEB RETURN AUTHORIZATION REQUEST*.

BOSSWEB RETURN AUTHORIZATION REQUEST

NOTICE All authorization numbers have to be requested via BOSSWeb to return the parts that were removed. To proceed, please follow these quick and easy steps:

1. From the home page, choose the "Parts" menu, and select **Return Entry**.
2. For "Return Type", select **Return Program**.
3. For "Return Reason", select **High Altitude exchange**.
4. For "Your Return Number" write the unit serial number: << _____ >>.
5. For "Product Line" select: **ATV**.
6. Click the forward arrow to go to next step.
7. Enter part number for the centrifugal lever kit that was removed from the unit; the return quantity should always be 1 kit per return request.
8. Once you are sure that all information is correct, click the blue forward arrow to submit.

NOTE: Once your return request has been submitted via BOSSWeb, please allow **1 to 3 days** to receive the approval to return the items. The items can only be returned after having received the return authorization number via BOSSWeb (this number will appear in the return status screen on BOSSWeb).

HIGH ALTITUDE SPECIFICATIONS

DS 250

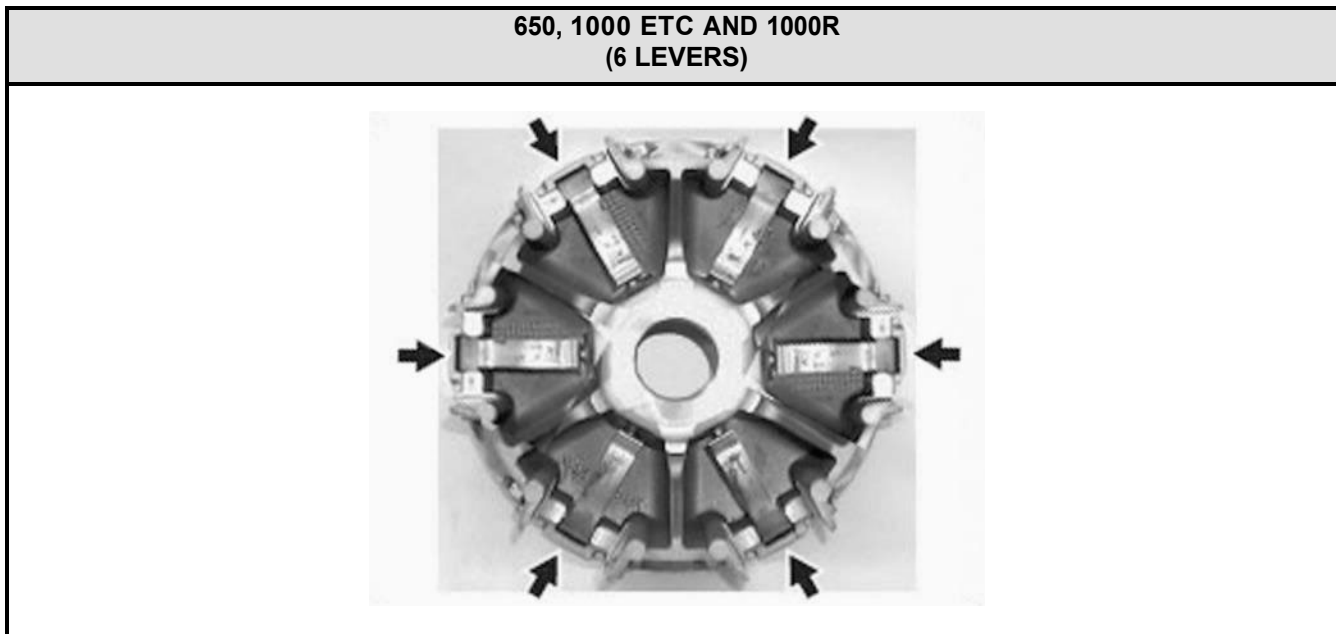
CALIBRATION	SEA LEVEL		1 200 M (4,000 FT)		2 400 M (8,000 FT)	
	North America	Europe	North America	Europe	North America	Europe
Main Jet	105	110	100	105	95	100
Needle Position	4	2	3	1		
Mixture Screw	2		1.5			
Idle RPM ±100	1700		1800			

G2 MODELS

Renegade Series

No high-altitude calibration settings have to be done through the BRP diagnostic software B.U.D.S.2.. The calibration features an automatic electronic fuel injection compensation allowing fuel injection mapping to be optimized at all altitudes.

In the tables throughout this document, the shaded column gives factory setting.



650 SERIES				
ALTITUDE	SEA LEVEL	1 200 M (4,000 FT)	2 400 M (8,000 FT)	QTY
Spring	Silver (P/N 420238610)			1
Centrifugal Lever	(P/N 420248558) (12 mm (.472 in))		(P/N 715500285) (8.7 mm (.343 in))	1 (set of 6)

Drive Pulley

1000 ETC SERIES			
ALTITUDE	SEA LEVEL	1 800 M (6,000 FT)	QTY
Spring	Yellow (P/N 420238615)		1
Load when compressed	351 N @ 63.2 mm 569 @ 32.9 mm		
Centrifugal Lever	(P/N 420248605) (12 mm (.472 in)) (6 x 602)	(P/N 707002427) (11 mm (.433 in))	1 (set of 6)
Weight (g)	44	-	
Width (mm)	12	11	
Engagement RPM ± 100	1950	2000	
Maximum RPM ± 100	7000	7000	

Driven Pulley

	SEA LEVEL 0 M (0 FT)	600 M (2000 FT)	1200 M (4000 FT)	1800 M (6000 FT)	2400 M (8000 FT)	3000 M (10000 FT)
Spring	Black (P/N 420638040)					
Load when compressed	634N @ 69.8 mm 871N @ 42.8 mm					
Cam	ACC 65°_BRK 65°/45° (P/N 420280473)					
Sliding pulley ass'y	(P/N 420280497)					

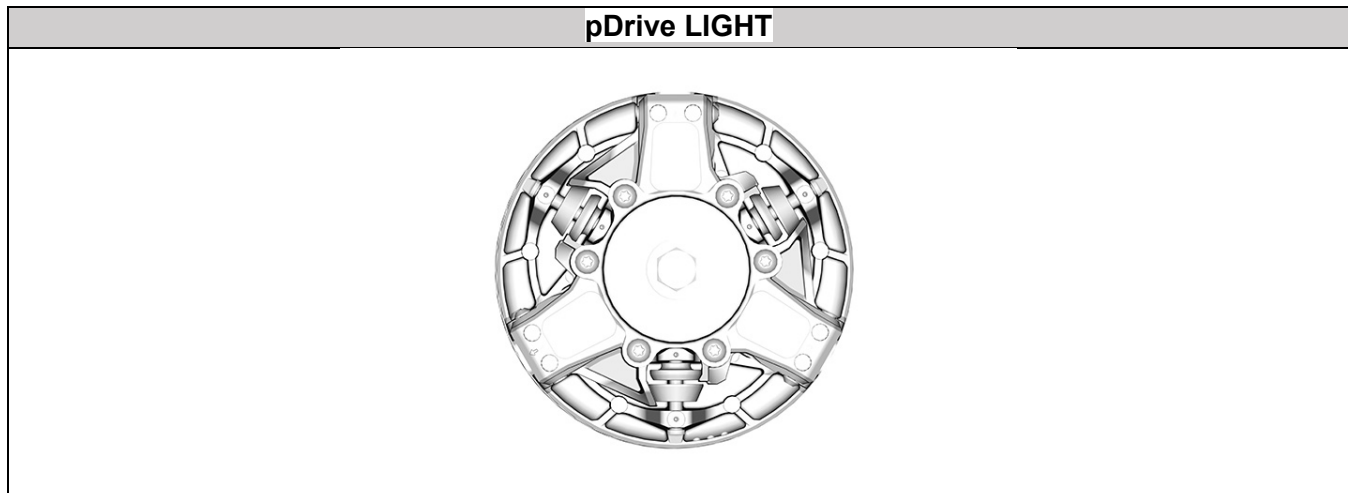
Drive Pulley

1000R SERIES				
ALTITUDE	SEA LEVEL	1 200 M (4,000 FT)	2 400 M (8,000 FT)	QTY
Spring	Green (P/N 420238617)			1
Load when compressed	303 N @ 63.2 mm 532 N @ 32.9 mm			
Centrifugal Lever	(P/N 420248682) (12 mm (.472 in)) (6 x 583)	(P/N 707001946) (10.5 mm (.413 in))	(P/N 707001947) (9.5 mm (.374 in))	1 (set of 6)
Weight (g)	38 ± 0.3	31.95	-	
Width (mm)	13.385 ± 0.15	10.5	9.5	
Engagement RPM ± 100	1800	2100	2200	
Maximum RPM ± 100	7500	7700	7800	

Driven Pulley

	SEA LEVEL 0 M (0 FT)	600 M (2000 FT)	1200 M (4000 FT)	1800 M (6000 FT)	2400 M (8000 FT)	3000 M (10000 FT)
Spring	Black (P/N 420638040)					
Load when compressed	634N @ 69.8 mm 871N @ 42.8 mm					
Cam	ACC 61°_BRK 70°/55° (P/N 420280701)					
Sliding pulley ass'y	(P/N 420280710)					

G3 MODELS



Outlander 850 Series

Drive Pulley

	SEA LEVEL 0 M (0 FT)	600 M (2000 FT)	1200 M (4000 FT)	1800 M (6000 FT)	2400 M (8000 FT)	3000 M (10000 FT)
Spring	(P/N 420638133)					
Load when compressed	550N ± 55N @ 74 mm 1750N ± 175N @ 40 mm					
Centrifugal lever	1 x (P/N 420248754) (3 X 248034)			3 x (P/N 707003652) (CAL#A407_707003653)		
Weight (g)	98.25 ± 0.6			85 ± 0.3		
Width (mm)	13.2 / 13.7			12.71 ± 0.05		
Engagement RPM ± 100	2200					
Maximum RPM ± 100	8250					

Driven Pulley

	SEA LEVEL 0 M (0 FT)	600 M (2000 FT)	1200 M (4000 FT)	1800 M (6000 FT)	2400 M (8000 FT)	3000 M (10000 FT)
Spring	Black / Orange (P/N 420238176)					
Load when compressed	600N ± 30N @ 69.8 mm 869N ± 38N @ 42.8 mm					
Sliding pulley ass'y	ACC 45/48°_BRK 55° (P/N 420280784)					

Outlander MAX PRO and Outlander 6x6 HD8 (CE) Series

Drive Pulley

	SEA LEVEL 0 M (0 FT)	600 M (2000 FT)	1200 M (4000 FT)	1800 M (6000 FT)	2400 M (8000 FT)	3000 M (10000 FT)
Spring	(P/N 420638133)					
Load when compressed	550N ± 55N @ 74 mm 1750N ± 175N @ 40 mm					
Centrifugal lever	1 x (P/N 420248758) (3 X 248038)			3 x (P/N 707003656) (CAL#A409_707003657)		
Weight (g)	104 ± 0.6			87.75 ± 0.3		
Width (mm)	13.6 / 14.1			13.76 ± 0.05		
Engagement RPM ± 100	2200					
Maximum RPM ± 100	8250					

Driven Pulley

	SEA LEVEL 0 M (0 FT)	600 M (2000 FT)	1200 M (4000 FT)	1800 M (6000 FT)	2400 M (8000 FT)	3000 M (10000 FT)
Spring	Black / Green (P/N 420238186)					
Load when compressed	800N ± 30N @ 72.8 mm 1100N ± 38N @ 46.1 mm					
Sliding pulley ass'y	ACC 45/48°_BRK 55° (P/N 420280784)					

Outlander 1000 Series

Drive Pulley

	SEA LEVEL 0 M (0 FT)	600 M (2000 FT)	1200 M (4000 FT)	1800 M (6000 FT)	2400 M (8000 FT)	3000 M (10000 FT)
Spring	(P/N 420638133)					
Load when compressed	550N ± 55N @ 74 mm 1750N ± 175N @ 40 mm					
Centrifugal lever	1 x (P/N 420248730) (3 X 248435)			3 x (P/N 707003401) (CAL#A405_707003396)		
Weight (g)	81.6 ± 0.6			79.5 ± 0.3		
Width (mm)	13.6 / 14.1			13.0 ± 0.05		
Engagement RPM ± 100	2200					
Maximum RPM ± 100	8250					

Driven Pulley

	SEA LEVEL 0 M (0 FT)	600 M (2000 FT)	1200 M (4000 FT)	1800 M (6000 FT)	2400 M (8000 FT)	3000 M (10000 FT)
Spring	Black / Pink (P/N 420238176)					
Load when compressed	700N ± 30N @ 72.8 mm 1000N ± 38N @ 42.8 mm					
Sliding pulley ass'y	ACC 45/48°_BRK 55° (P/N 420280784)					

Outlander MAX PRO and Outlander 6x6 HD10 Series

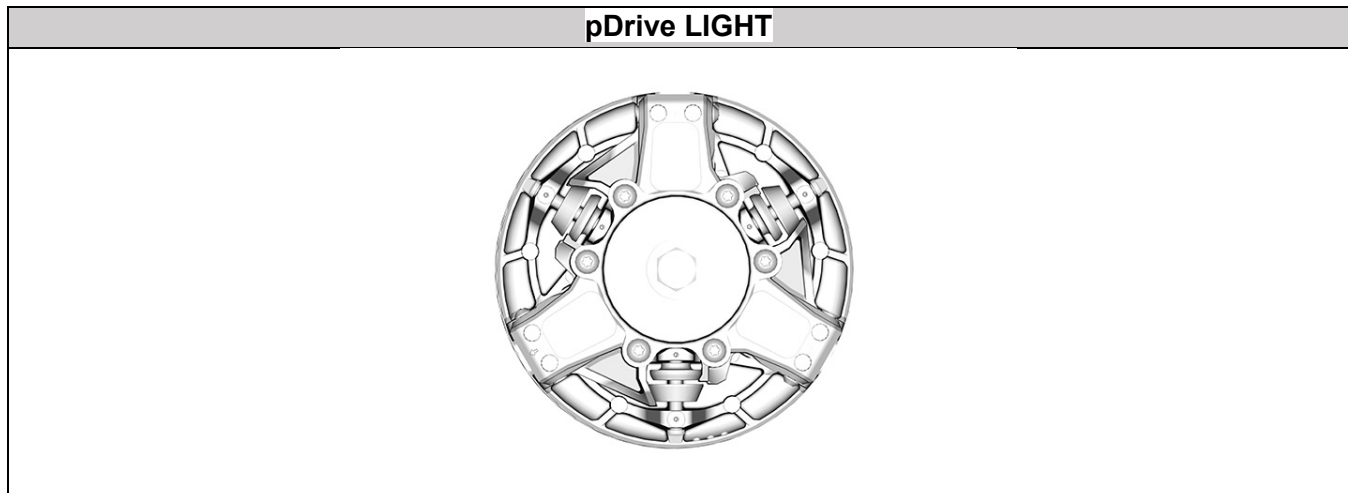
Drive Pulley

	SEA LEVEL 0 M (0 FT)	600 M (2000 FT)	1200 M (4000 FT)	1800 M (6000 FT)	2400 M (8000 FT)	3000 M (10000 FT)
Spring	(P/N 420638133)					
Load when compressed	550N ± 55N @ 74 mm 1750N ± 175N @ 40 mm					
Centrifugal lever	1 x (P/N 420248756) (3 X 248036)			3 x (P/N 707003654) (CAL#A408_707003655)		
Weight (g)	98.6 ± 0.6			85.99 ± 0.3		
Width (mm)	13.6 / 14.1			14.0 ± 0.05		
Engagement RPM ± 100	2200					
Maximum RPM ± 100	8250					

Driven Pulley

	SEA LEVEL 0 M (0 FT)	600 M (2000 FT)	1200 M (4000 FT)	1800 M (6000 FT)	2400 M (8000 FT)	3000 M (10000 FT)
Spring	Black / Green (P/N 420238186)					
Load when compressed	800N ± 30N @ 72.8 mm 1100N ± 38N @ 46.1 mm					
Sliding pulley ass'y	ACC 45/48°_BRK 55° (P/N 420280784)					

G3L MODELS



Outlander 500 and Outlander MAX 500 Series

Drive Pulley

	SEA LEVEL 0 M (0 FT)	600 M (2000 FT)	1200 M (4000 FT)	1800 M (6000 FT)	2400 M (8000 FT)	3000 M (10000 FT)
Spring	(P/N 420638133)					
Load when compressed	550N ± 55N @ 74 mm 1750N ± 175N @ 40 mm					
Centrifugal lever	1 x (P/N 420248729) (3 X 248009)			3 x (P/N 707003401) (CAL# A405_707003396)		
Weight (g)	81.6 ± 0.6			79.5 ± 0.3		
Width (mm)	13.85 ± 0.25			13.0 ± 0.05		
Engagement RPM ± 100	2050					
Maximum RPM ± 100	7500					

Driven Pulley

	SEA LEVEL 0 M (0 FT)	600 M (2000 FT)	1200 M (4000 FT)	1800 M (6000 FT)	2400 M (8000 FT)	3000 M (10000 FT)
Spring	Black / Blue (P/N 420238185)					
Load when compressed	420N ± 22N @ 72.8 mm 640N ± 32.5N @ 46.1 mm					
Sliding pulley ass'y	ACC 45°/48°_BRK 55° (P/N 420280784)					

Outlander PRO HD5

Drive Pulley

	SEA LEVEL 0 M (0 FT)	600 M (2000 FT)	1200 M (4000 FT)	1800 M (6000 FT)	2400 M (8000 FT)	3000 M (10000 FT)
Spring	(P/N 420638133)					
Load when compressed	550N ± 55N @ 74 mm 1750N ± 175N @ 40 mm					
Centrifugal lever	1 x (P/N 420248736) (3 X 248016)			3 x (P/N 707003402) (CAL# A406_707003397)		
Weight (g)	94.4 ± 0.6			86.9 ± 0.3		
Width (mm)	13.85 ± 0.25			14.0 ± 0.05		
Engagement RPM ± 100	2050					
Maximum RPM ± 100	7500					

Driven Pulley

	SEA LEVEL 0 M (0 FT)	600 M (2000 FT)	1200 M (4000 FT)	1800 M (6000 FT)	2400 M (8000 FT)	3000 M (10000 FT)
Spring	Black / Blue (P/N 420238185)					
Load when compressed	420N ± 22N @ 72.8 mm 640N ± 32.5N @ 46.1 mm					
Sliding pulley ass'y	ACC 45/48°_BRK 55° (P/N 420280784)					

Outlander 700 Series and Outlander MAX 700 Series

Drive Pulley

	SEA LEVEL 0 M (0 FT)	600 M (2000 FT)	1200 M (4000 FT)	1800 M (6000 FT)	2400 M (8000 FT)	3000 M (10000 FT)
Spring	(P/N 420638133)					
Load when compressed	550N ± 55N @ 74 mm 1750N ± 175N @ 40 mm					
Centrifugal lever	1 x (P/N 420248731) (3 X 248011)			3 x (P/N 707003399) (CAL# A403_707003394)		
Weight (g)	76.4 ± 0.6			72.8 ± 0.3		
Width (mm)	13.85 ± 0.25			13.0 ± 0.05		
Engagement RPM ± 100	2000					
Maximum RPM ± 100	7500					

Driven Pulley

	SEA LEVEL 0 M (0 FT)	600 M (2000 FT)	1200 M (4000 FT)	1800 M (6000 FT)	2400 M (8000 FT)	3000 M (10000 FT)
Spring	Black / Pink (P/N 420238176)					
Load when compressed	700N ± 30N @ 72.8 mm 1000N ± 38N @ 42.8 mm					
Sliding pulley ass'y	ACC 45°/48°_BRK 55° (P/N 420280784)					

Outlander PRO HD7, Outlander MAX PRO HD7, Outlander 6X6 HD7

Drive Pulley

	SEA LEVEL 0 M (0 FT)	600 M (2000 FT)	1200 M (4000 FT)	1800 M (6000 FT)	2400 M (8000 FT)	3000 M (10000 FT)
Spring	(P/N 420638133)					
Load when compressed	550N ± 55N @ 74 mm 1750N ± 175N @ 40 mm					
Centrifugal lever	1 x (P/N 420248732) (3 X 248012)			3 x (P/N 707003400) (CAL# A404_707003395)		
Weight (g)	84.2 ± 0.6			80.5 ± 0.3		
Width (mm)	13.85 ± 0.25			13.0 ± 0.05		
Engagement RPM ± 100	2000					
Maximum RPM ± 100	7500					

Driven Pulley

	SEA LEVEL 0 M (0 FT)	600 M (2000 FT)	1200 M (4000 FT)	1800 M (6000 FT)	2400 M (8000 FT)	3000 M (10000 FT)
Spring	Black / Pink (P/N 420238176)					
Load when compressed	700N ± 30N @ 72.8 mm 1000N ± 38N @ 42.8 mm					
Sliding pulley ass'y	ACC 45°/48°_BRK 55° (P/N 420280784)					